

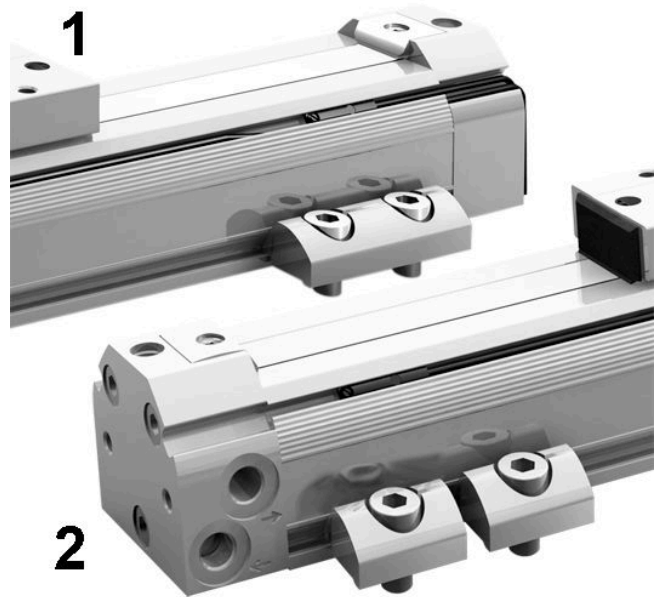
# Foot mounting, Series M41, M48

R402003404

Foot  
mountings

2024-08-29

## AVENTICS Foot mountings



### Technical data

Industry	Industrial
For series	RTC
Piston diameter	16 mm 25 mm
Delivery unit	4 piece
Weight	0.03 kg

### Material

Material	Aluminum
Fig.	Fig. 2
Part No.	R402003404

### Number

# Foot mounting, Series M41, M48

R402003404

Foot  
mountings

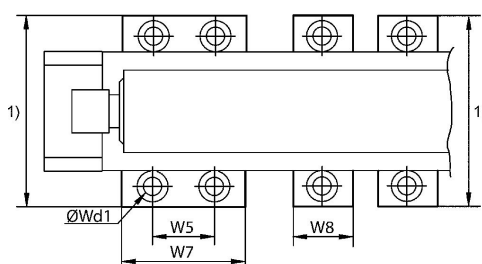
2024-08-29

## Foot mounting



Piston Ø	2 sets up to a stroke length of	3 sets up to a stroke length of	1 additional set per stroke length of
16	1200	1600	800
25	1400	1800	900
32	1500	2000	1000
40	1600	2100	1050
50	1700	2200	1100
63	1900	2400	1200

## Dimensions



1) see data sheet for the respective product variant

Series	Part No.	Piston Ø	For series	Wd1	W5	W7	W8	Fig.
M41	R402003401	16, 25	RTC-BV, RTC-CG, RTC-HD, RTC-SB	6,8	30	60	–	Fig. 1
M41	R402003402	32, 40	RTC-BV, RTC-CG,	8,8	30	60	–	Fig. 1

# Foot mounting, Series M41, M48

R402003404

Foot  
mountings

2024-08-29

Series	Part No.	Piston Ø	For series	Wd1	W5	W7	W8	Fig.
M41	R402003403	50, 63, 80	RTC-HD, RTC-SB	13	40	80	–	Fig. 1
M48	R402003404	16, 25	RTC-BV, RTC-CG, RTC-HD, RTC-SB	6,8	–	–	30	Fig. 2
M48	R402003405	32, 40	RTC-BV, RTC-CG, RTC-HD, RTC-SB	8,8	–	–	30	Fig. 2
M48	R402005912	50, 63, 80	RTC-BV, RTC-CG, RTC-HD, RTC-SB	13	–	–	40	Fig. 2