

- $Q_n = [[38] \text{ l/min}] \dots [[2800] \text{ l/min}]$

AVENTICS Series CH01 Throttle valves

Series CH throttle valves can be used for nominal flows up to 2,800 l/min. The Series features special versions with integrated silencer and screw-in variants.



Technical data

Industry	Industrial
Min. working pressure	0 bar
Max. working pressure	10 bar
Min. ambient temperature	0 °C
Max. ambient temperature	80 °C
Min. medium temperature	0 °C
Max. medium temperature	80 °C
Port 1	G 1/2
Port 2	G 1/2
Medium	Compressed air
Compressed air connection type 2	Internal thread
Compressed air connection type	Internal thread
Throttle bore Ø	8.5 mm
Flow Q_n	2800 l/min
Weight	0.17 kg
Housing material	Aluminum
Surface housing	anodized
Seal material	Acrylonitrile butadiene rubber
Material flow control screw	Steel, chrome-plated

Surface flow control screw
Part No.

galvanized
0821201006

Technical information

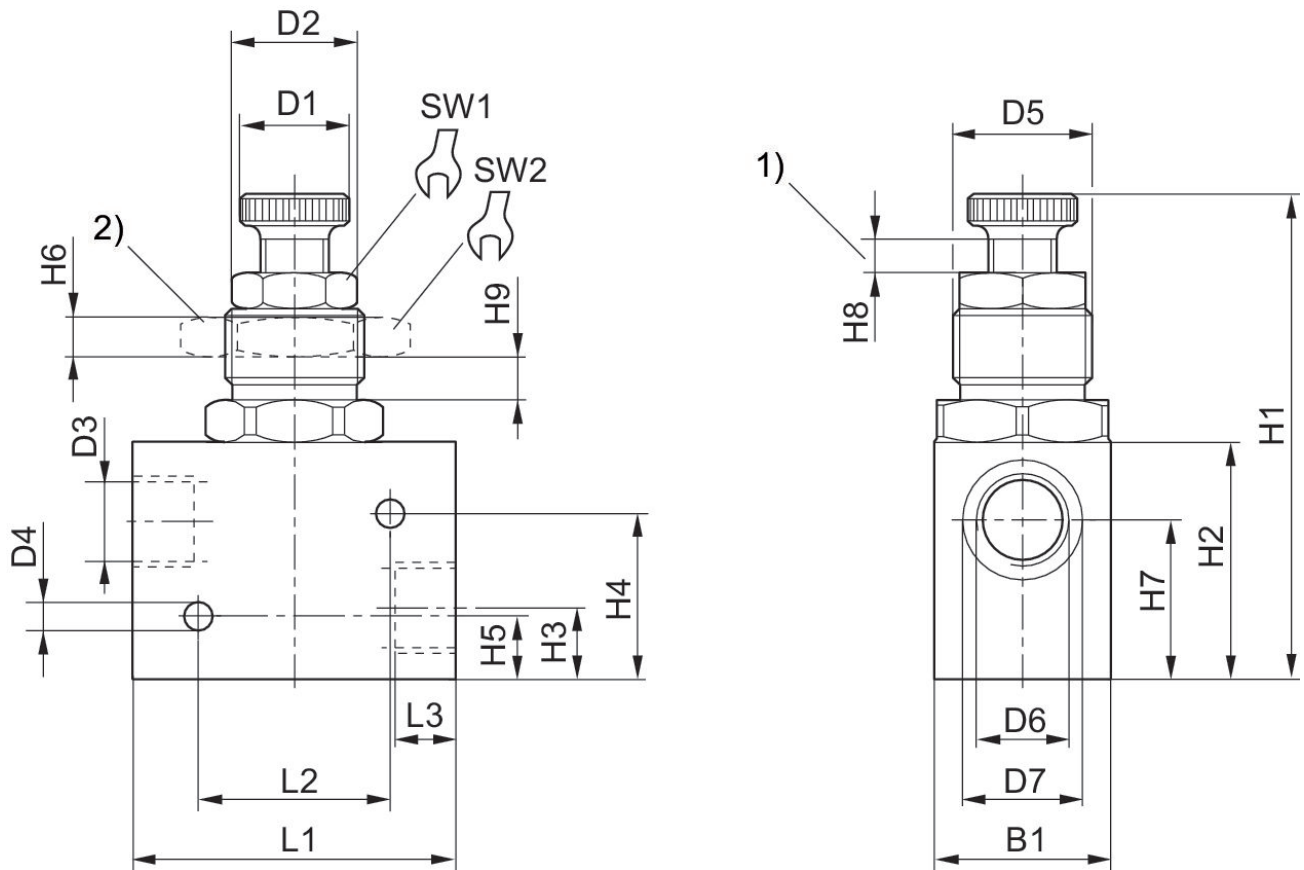
The min. control pressure must be adhered to, since otherwise faulty switching and valve failure may result!

The pressure dew point must be at least 15 °C less than ambient and medium temperature and may not exceed 3 °C.

The oil content of compressed air must remain constant during the life cycle.

Use only the approved oils from AVENTICS. Further information can be found in the “Technical information” document (available in <https://www.emerson.com/en-us/support>).

Dimensions



1) throttle setting range 2) nut for control panel installation

Part No.	Port G	D1	D2	D3	D4	D5	D6	D7	B1
0821201006	G 1/2	27	27,5	19	6,5	M32x1,5	G1/2	27	40

Series CH01

0821201006

Series
CH01

2024-10-22

Part No.	H1	H2	H3	H4	H5	H6	H7	H8	H9
0821201006	120	50	17	40.5	15.5	9	38	8	9

Part No.	L1	L2	L3	SW1	SW2
0821201006	75.3	45	14	24	46