

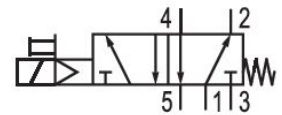
5/2-directional valve, Series LS04-XS

R422103556

2024-12-13

AVENTICS Series LS04 Directional valves

The AVENTICS Series LS04 are lightweight spool valves and save space with their polyamide and aluminium housing. The valves are suitable for direct mounting onto moving machines and system parts.



Technical data

Industry

Industrial

Activation

Electrically

Valve type

Spool valve, positive overlapping

Switching principle

5/2, with spring return

Actuating control

Double Solenoid

Sealing principle

Soft seal

Connection type

Pipe connection

Manual override

with detent

without detent

Compressed air connection input

Ø 4

Compressed air connection output

Ø 4

Compressed air connection, exhaust

Ø 4

Nominal flow Qn

200 l/min

Flow conductance b

0.4

Flow conductance C

0.8 l/(s*bar)

Min. working pressure

3 bar

5/2-directional valve, Series LS04-XS

R422103556

2024-12-13

Max. working pressure	7 bar
Electrical connection type	Plug
Electrical connection size	M8
Electrical connection number of poles	3-pin
Connector standard	DIN EN 60947-5-2
Protection class acc. to DIN EN 61140	Class III
Protection class with connection	IP65
Protective circuit	Z-diode
Operational voltage	24 V DC
Operational voltage DC	24 V
Voltage tolerance DC	-10 % / +10 %
Pilot	Internal
LED status display	Yellow
Power consumption DC	0.8 W
Duty cycle	100 %
Typ. switch-on time	9 ms
Typ. switch-off time	18 ms
Generic emission standard in accordance with	EN 61000-6-4:2002
Generic immunity standard in accordance with	IEC 61000-6-2:2005
Min. ambient temperature	-10 °C
Max. ambient temperature	50 °C
Min. medium temperature	-10 °C
Max. medium temperature	50 °C
Medium	Compressed air
Min. oil content of compressed air	0 mg/m ³
Max. oil content of compressed air	5 mg/m ³
Max. particle size	5 µm
Mounting screws	M3
Mounting screw tightening torque	0.5 Nm
Weight	0.04 kg
Material	
Housing material	Aluminum Polyoxymethylene

5/2-directional valve, Series LS04-XS

R422103556

2024-12-13

Seal material	Acrylonitrile butadiene rubber Hydrogenated nitrile butadiene rubber Polyurethane
---------------	---

Part No.	R422103556
----------	------------

Technical information

The min. control pressure must be adhered to, since otherwise faulty switching and valve failure may result!

The pressure dew point must be at least 15 °C less than ambient and medium temperature and may not exceed 3 °C.

The oil content of compressed air must remain constant during the life cycle.

Use only the approved oils from AVENTICS. Further information can be found in the “Technical information” document (available in <https://www.emerson.com/en-us/support>).

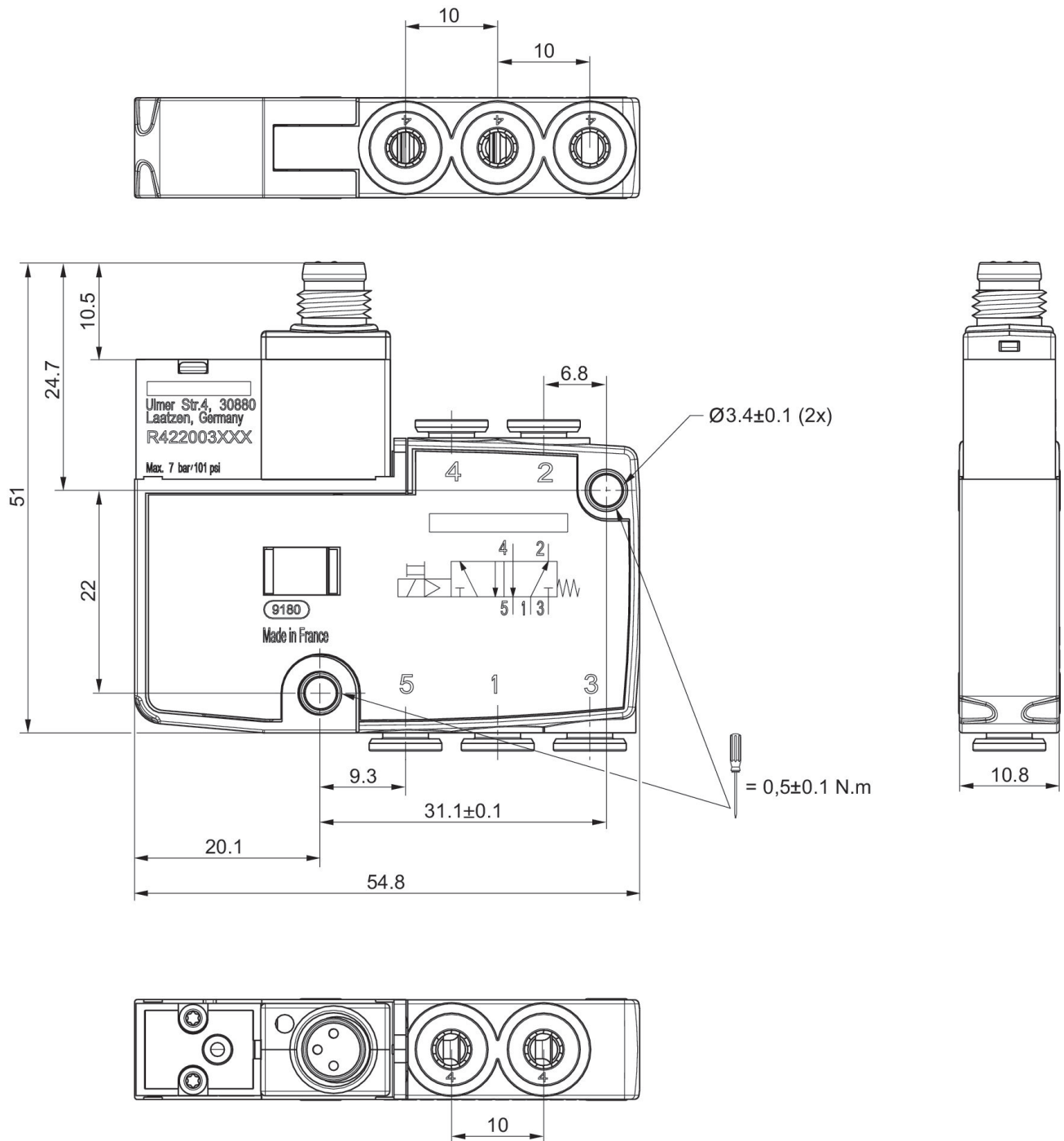
A duty cycle of 100 percent is only valid for single valves.

5/2-directional valve, Series LS04-XS

R422103556

2024-12-13

Dimensions

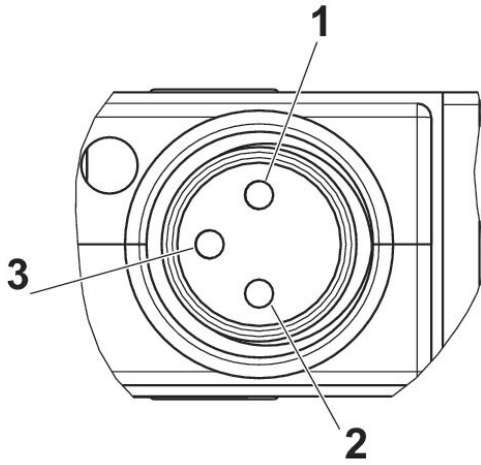


5/2-directional valve, Series LS04-XS

R422103556

2024-12-13

PIN assignment for valve plug connectors



- 1) DC -/+
- 2) not assigned
- 3) DC -/+