

5/2 directional valve, series LS04-PD

R422005155

Series LS04

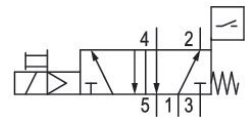
2024-12-16

- Compact and lightweight
- Fast switching possible
- Easy to integrate
- Suitable for moving applications

Series LS04

Qn max. [[310] l/min]

2x3/2, 5/2, 5/3 spool valves with plastic housing



Technical data

Industry

Activation

Note

Valve type

Switching principle

Actuating control

Sealing principle

Connection type

Manual override

Industrial

Electrically

with position detection

Spool valve, positive overlapping

5/2, with spring return

Double Solenoid

Soft seal

Pipe connection

without detent

Compressed air connection input

Ø 6

Compressed air connection output

Ø 6

Compressed air connection, exhaust

Ø 6

Nominal flow Qn

310 l/min

Flow conductance b

0.27

Flow conductance C

1.5 l/(s*bar)

Min. working pressure

3 bar

5/2 directional valve, series LS04-PD

R422005155

Series LS04

2024-12-16

| | |
|--|--------------------------|
| Max. working pressure | 7 bar |
| Electrical connection size | M8 |
| Electrical connection number of poles | 3-pin |
| Connector standard | DIN EN 60947-5-2 |
| Protection class acc. to DIN EN 61140 | Class III |
| Protection class with connection | IP65 |
| Protective circuit | Z-diode |
| Operational voltage | 24 V DC |
| Operational voltage DC | 24 V |
| Voltage tolerance DC | -10 % / +10 % |
| Pilot | Internal |
| LED status display | Yellow |
| Power consumption DC | 0.8 W |
| Typ. switch-on time | 10 ms |
| Typ. switch-off time | 22 ms |
| Generic emission standard in accordance with | EN 61000-6-4:2002 |
| Generic immunity standard in accordance with | IEC 61000-6-2:2005 |
| Min. ambient temperature | -10 °C |
| Max. ambient temperature | 50 °C |
| Min. medium temperature | -10 °C |
| Max. medium temperature | 50 °C |
| Medium | Compressed air |
| Min. oil content of compressed air | 0 mg/m ³ |
| Max. oil content of compressed air | 5 mg/m ³ |
| Max. particle size | 5 µm |
| Mounting screws | M3 |
| Mounting screw tightening torque | 0.5 Nm |
| Weight | 0.053 kg |
| Type sensor | electronic PNP, with LED |
| Sensor port size | M8 |
| Sensor number of poles | 3-pin |
| Material | |
| Housing material | Polyoxymethylene |

5/2 directional valve, series LS04-PD

R422005155

Series LS04

2024-12-16

| | |
|---------------|---|
| Seal material | Acrylonitrile butadiene rubber Hydrogenated nitrile butadiene rubber Polyurethane |
|---------------|---|

| | |
|----------|------------|
| Part No. | R422005155 |
|----------|------------|

Technical information

A duty cycle of 100% is only valid for valves mounted separately.

If the solenoid valve is switched off, the flow direction is from connection 4 to 5, 1 to 2. The sensor output signal is high and the red LED is illuminated. The maximum sensor current is 12 mA.

The min. control pressure must be adhered to, since otherwise faulty switching and valve failure may result!

The pressure dew point must be at least 15 °C less than ambient and medium temperature and may not exceed 3 °C.

The oil content of compressed air must remain constant during the life cycle.

Use only the approved oils from AVENTICS. Further information can be found in the "Technical information" document (available in <https://www.emerson.com/en-us/support>).

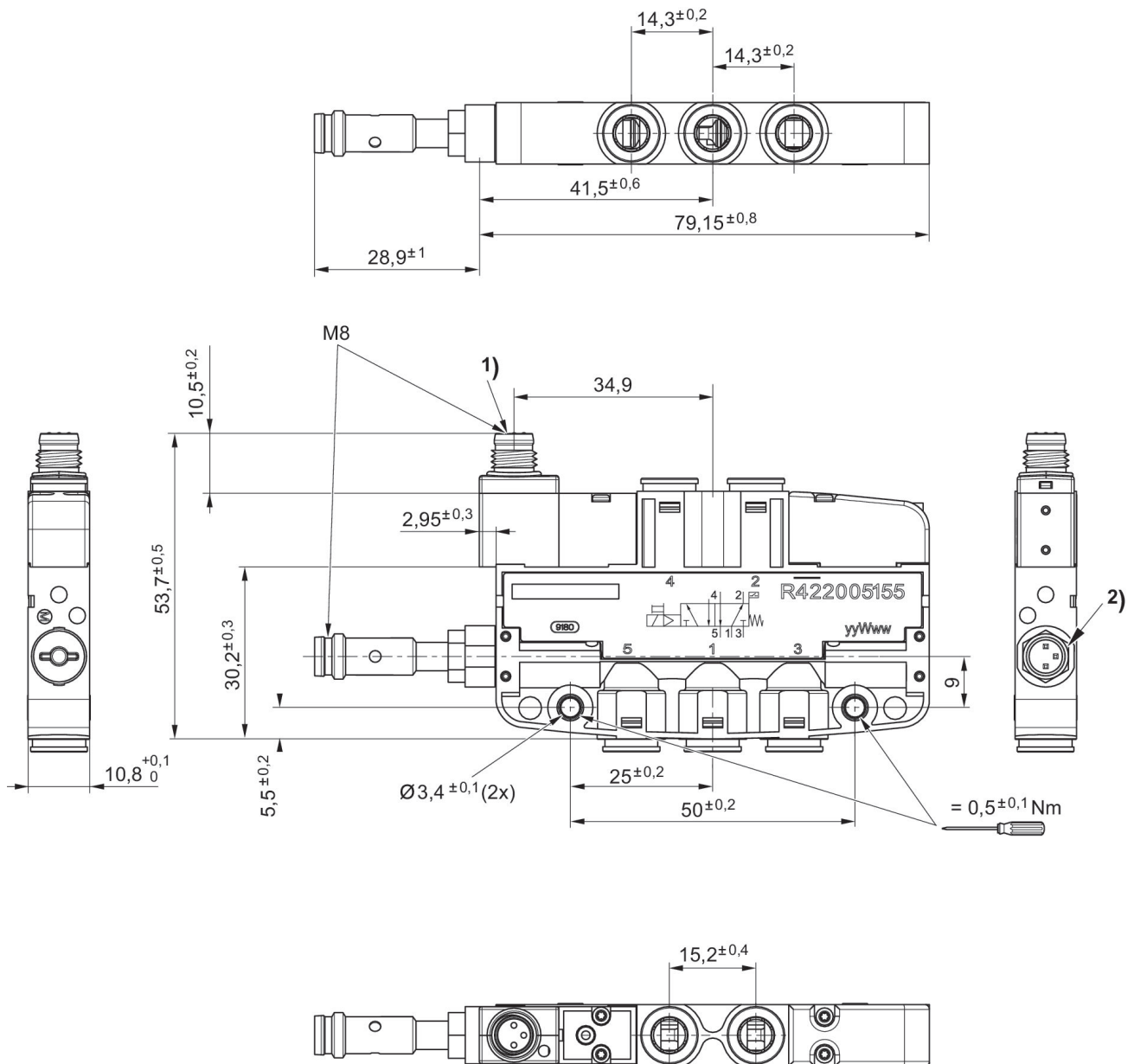
5/2 directional valve, series LS04-PD

R422005155

Series LS04

2024-12-16

Dimensions



- 1) Valve plug connector M8
- 2) Sensor plug M8, 3-pin

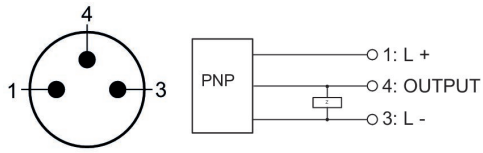
5/2 directional valve, series LS04-PD

R422005155

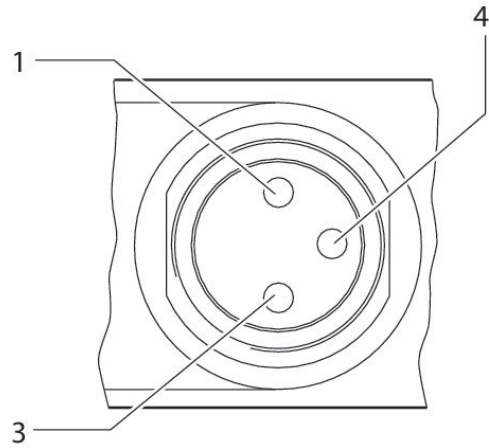
Series LS04

2024-12-16

PIN assignment sensor, plug M8



PIN assignment for valve plug connectors 3-pin



1) Pin not assigned 3) 0 V 4) 24 V Note: Bi-polar protective circuit to prevent overvoltage