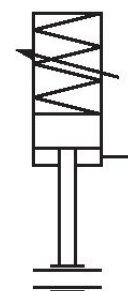


Locking unit, Series LU1

0821401133

General series information
AVENTICS Series LU1 Locking units

- The AVENTICS Series LU1 is a an holding unit using eccentric movement to hold the piston rod in any position.



Technical data

Industry

Industrial

Function

Clamp with eccentric tappet

Function

Hold: adjustable spring force

Release: compressed air

Piston Ø

80 mm

100 mm

suitable piston rod Ø

25 mm

Piston rod extension

140 mm

Compressed air connection

G 1/8

Release pressure min.

2 bar

Release pressure max.

8 bar

Min. medium temperature

-20 °C

| | |
|------------------------------------|---------------------|
| Max. medium temperature | 80 °C |
| Medium | Compressed air |
| Max. particle size | 5 µm |
| Min. ambient temperature | -20 °C |
| Max. ambient temperature | 80 °C |
| Oil content of compressed air min. | 0 mg/m ³ |
| Oil content of compressed air max. | 5 mg/m ³ |
| Static holding force | 5800 N |
| Weight | 8.8 kg |

Material

| | |
|-----------------|-------------------|
| Housing | Aluminum |
| Surface housing | anodized |
| Cover | Die-cast aluminum |
| Part No. | 0821401133 |

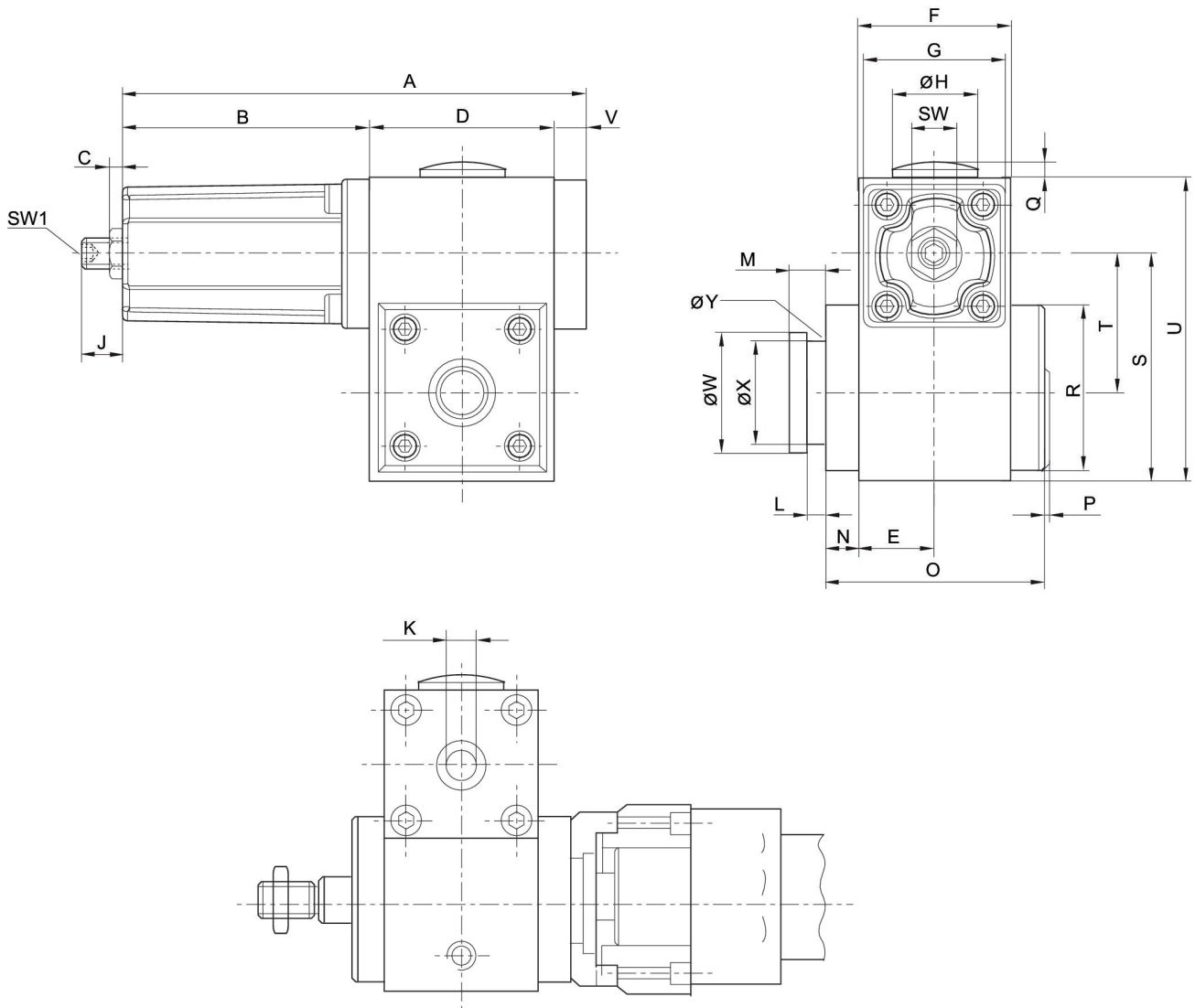
Technical information

Warning: The Locking unit may not be used for the following applications: - for dynamic holding - in or as safety equipment

Locking unit may only be unlocked when turned off.

Note: The minimum release pressure is \geq the working pressure of the cylinder! The holding force is dependent on the set spring force

Dimensions



| Piston Ø | Part No. | A | B | C | D | E | F | G | ØH |
|----------|------------|-----|----|------|-----|----|----|----|------|
| 32 | 0821401130 | 135 | 69 | 10 | 56 | 23 | 46 | 45 | 30 |
| 40 | 0821401131 | 135 | 69 | 10 | 56 | 23 | 46 | 45 | 30 |
| 50, 63 | 0821401132 | 169 | 90 | 10 | 69 | 30 | 60 | 55 | 30 |
| 80, 100 | 0821401133 | 208 | 98 | 16.7 | 100 | 40 | 80 | 65 | 37.5 |

| Piston Ø | J | K | L | M | N | O | P | Q | R |
|----------|----|-------|-----|----|----|-----|---|-----|----|
| 32 | 19 | G 1/8 | 4.1 | 8 | 9 | 65 | 3 | 2.5 | 50 |
| 40 | 18 | G 1/8 | 5.1 | 10 | 9 | 65 | 3 | 2.5 | 50 |
| 50, 63 | 17 | G 1/8 | 5.1 | 10 | 9 | 84 | 3 | 2.5 | 60 |
| 80, 100 | 15 | G 1/8 | 8.1 | 16 | 13 | 118 | 3 | 2 | 90 |

| Piston Ø | S | SW | SW1 | T | U | V | ØW | ØX | ØY |
|----------|-----|----|-----|------|-----|----|------|----|----|
| 32 | 69 | 15 | 5 | 41.9 | 92 | 10 | 29.9 | 24 | 3 |
| 40 | 69 | 15 | 5 | 40.5 | 92 | 10 | 39.9 | 30 | 3 |
| 50, 63 | 80 | 15 | 5 | 48 | 111 | 10 | 39.9 | 30 | 3 |
| 80, 100 | 119 | 24 | 8 | 72 | 155 | 10 | 54.9 | 40 | 5 |