

# Pressure regulators, Series M Plus™

## R431000667

Pressure regulators, Series M Plus™



### Technical data

**Industry**  
Industrial

**Type**  
Poppet valve

**Compressed air connection input**  
1/8-27 NPTF

**Compressed air connection output**  
1/8-27 NPTF

**Working pressure min.**  
0 bar

**Working pressure max**  
10.3 bar

**Regulation range min.**  
0 bar

**Regulation range max.**  
6.9 bar

**Min. ambient temperature**  
-40 °C

**Max. ambient temperature**  
71 °C

**Min. medium temperature**  
-40 °C

**Max. medium temperature**  
71 °C

**Medium**  
Compressed air

**Max. particle size**  
50 µm

**Oil content of compressed air min.**  
0 mg/m<sup>3</sup>

**Oil content of compressed air max.**  
1 mg/m<sup>3</sup>

**Nominal flow Qn**  
200 l/min

**Weight**  
0.75 kg

**Part No.**  
R431000667

## Technical information

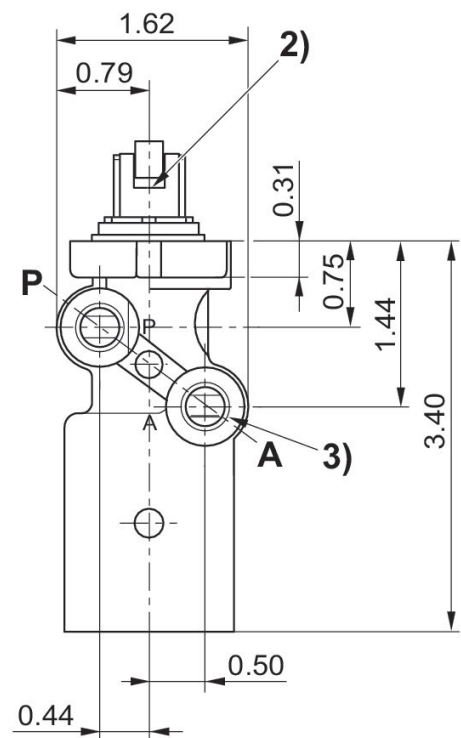
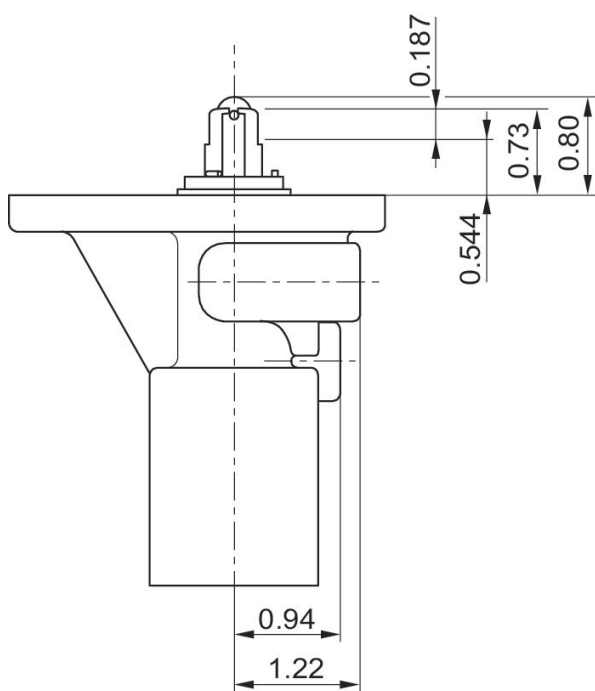
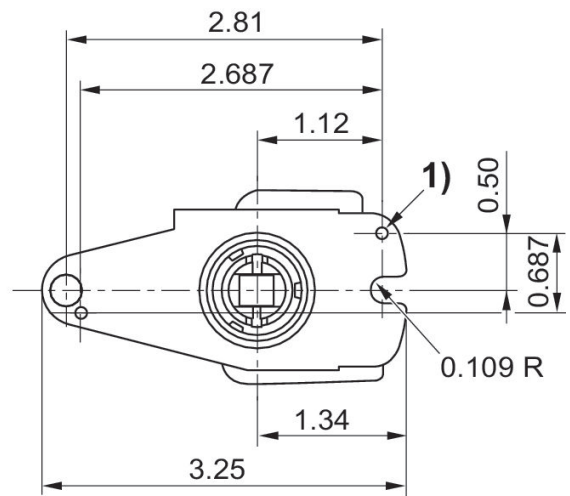
The min. control pressure must be adhered to, since otherwise faulty switching and valve failure may result!

The pressure dew point must be at least 15 °C under ambient and medium temperature and may not exceed 3 °C .

The oil content of compressed air must remain constant during the life cycle.

Use only the approved oils from AVENTICS. Further information can be found in the “Technical information” document (available in <https://www.emerson.com/en-us/support>).

Dimensions in inches



- 1) 0.90 diameter (2) places, 0.06 deep
- 2) Exhaust
- 3) 1/8-27 NPTF