

Pressure regulators, Series M Plus™

R431009137

Pressure regulators, Series M Plus™



Technical data

Industry
Industrial

Type
Poppet valve

Type
ME-2

Compressed air connection input
1/8-27 NPTF

Compressed air connection output
1/8-27 NPTF

Regulation range min.
0 bar

Regulation range max.
4.1 bar

Min. ambient temperature
-40 °C

Max. ambient temperature
71 °C

Min. medium temperature
-40 °C

Max. medium temperature
71 °C

Medium
Compressed air

Max. particle size
50 µm

Oil content of compressed air min.
0 mg/m³

Oil content of compressed air max.
1 mg/m³

Weight
1.2 kg

Part No.
R431009137

Technical information

The M-2 Valve is a lever-operated, 3-way pressure regulating valve. Output pressure is increased, decreased, or maintained at the out port according to lever position. Facing the lever side of the valve, clockwise lever movement increases pressure. Outlet pressure is maintained for the position in which the lever remains.

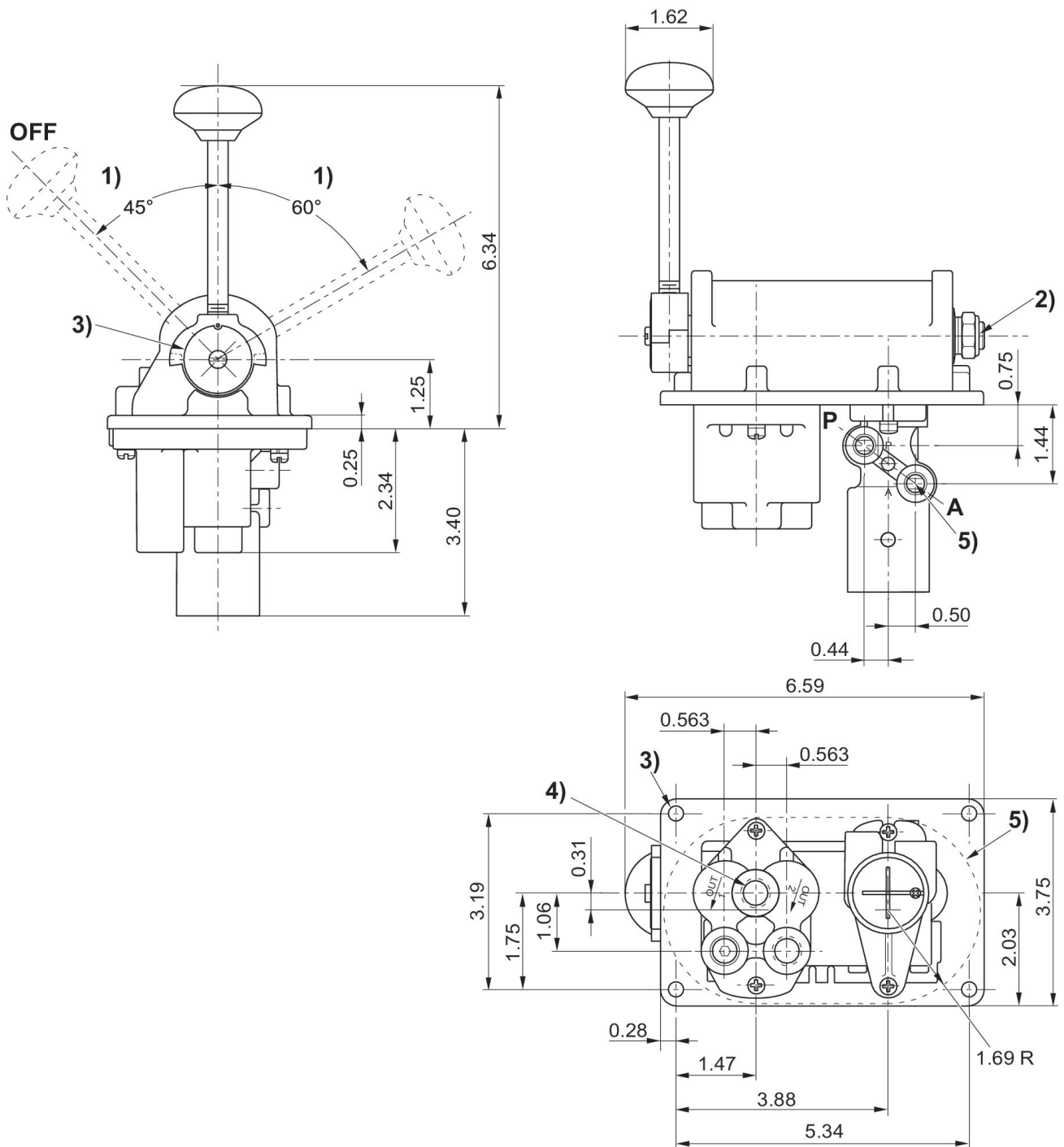
The min. control pressure must be adhered to, since otherwise faulty switching and valve failure may result!

The pressure dew point must be at least 15 °C under ambient and medium temperature and may not exceed 3 °C .

The oil content of compressed air must remain constant during the life cycle.

Use only the approved oils from AVENTICS. Further information can be found in the “Technical information” document (available in <https://www.emerson.com/en-us/support>).

Dimensions in inches



- 1) Pressure range
- 2) Friction brake adjustment
- 3) 0.281 diameter (4) places
- 4) 1/4 - 18 NPTF
- 5) panel mounting hole