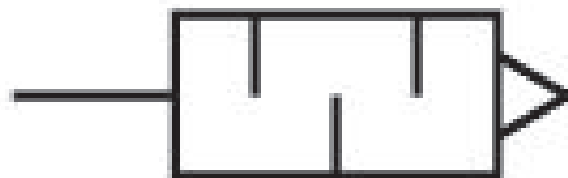


Silencers, series S11

5324001110

General series information
AVENTICS Series S11 Silencers

- AVENTICS Series S11 Silencers offers a broad range of silencers even in Metal or plastic to reduce the noise when Pneumatic products come to exhaust.



Technical data

Industry	Industrial
Medium	Compressed air
Working pressure min.	0 bar
Working pressure max	10 bar
Min. ambient temperature	-25 °C
Max. ambient temperature	80 °C
Compressed air connection	M10x1
Compressed air connection type	External thread
Sound pressure level	75 dB
Nominal flow Qn	1747 l/min
Delivery unit	1 piece
Weight	0.011 kg

Material

Silencer material

Sintered bronze

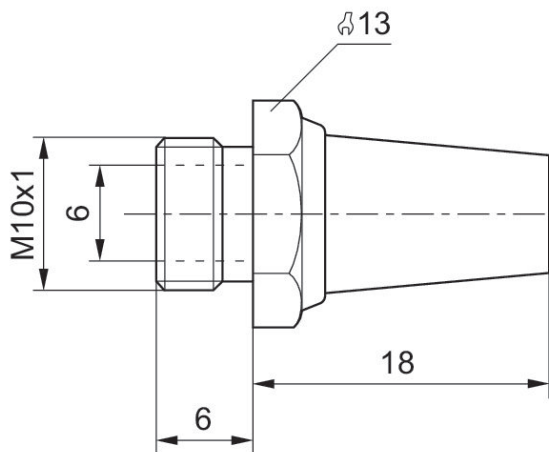
Material thread

Brass

Part No.

5324001110

Dimensions in mm



Flow diagram

5324001110

