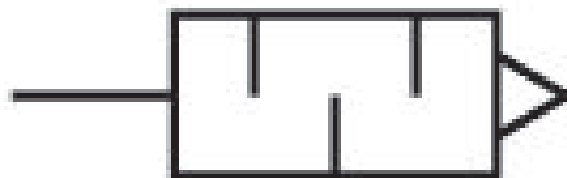


# Silencers, series S11

R412010686

General series information  
AVENTICS Series S11 Silencers

- AVENTICS Series S11 Silencers offers a broad range of silencers even in Metal or plastic to reduce the noise when Pneumatic products come to exhaust.



## Technical data

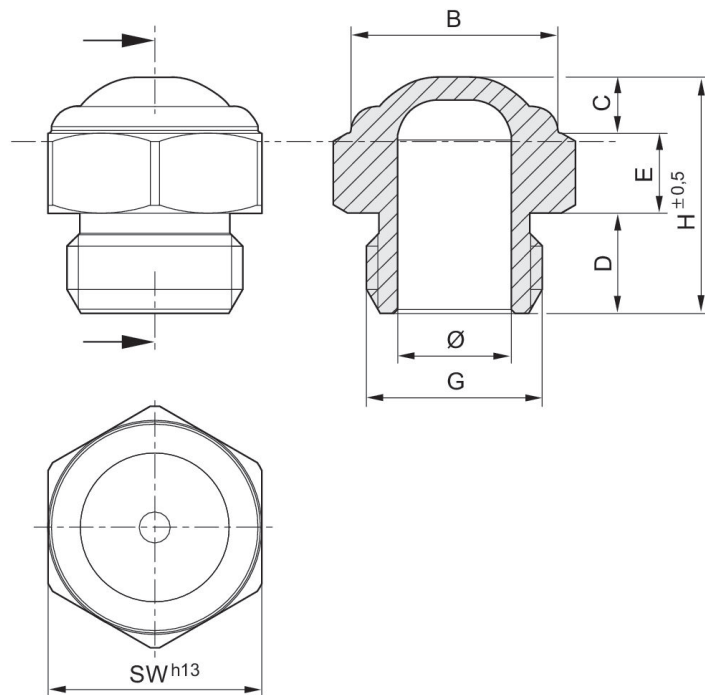
Industry	Industrial
Medium	Compressed air
Working pressure min.	0 bar
Working pressure max	12 bar
Min. ambient temperature	-20 °C
Max. ambient temperature	150 °C
Compressed air connection	M5
Compressed air connection type	External thread
Sound pressure level	68 dB
Delivery unit	10 piece
Weight	0.006 kg

## Material

Silencer material  
Material thread  
Part No.

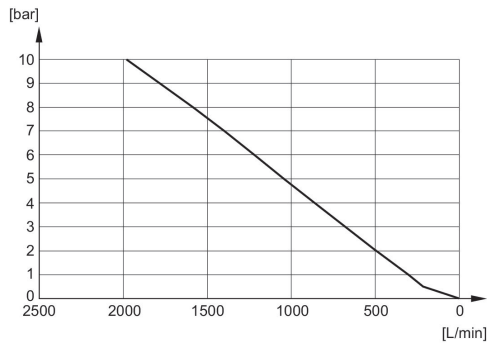
Stainless Steel  
Stainless Steel  
R412010686

## Dimensions



Part No.	Port G	Ø	B	D	E	H	SW
R412010686	M5	2.5	6.5	4	3	8	8
R412010687	G 1/8	6	11	6	4	15	13
R412007817	G 1/4	8.5	12	8	5	18	16

Flow diagram  
R412010687



Flow diagram  
R412007817

