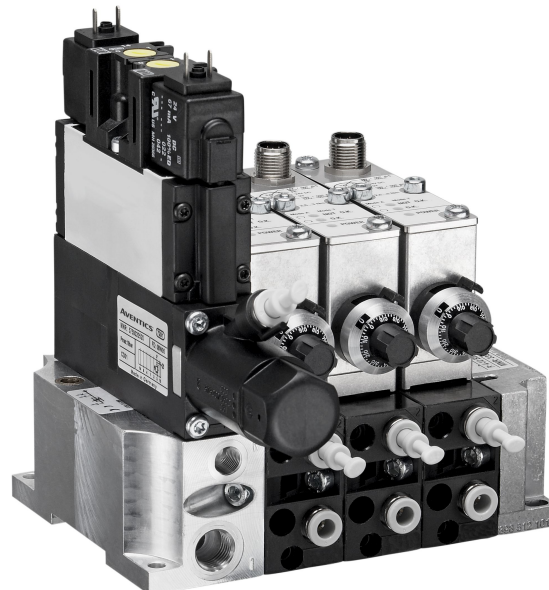


## AVENTICS Series MS01 Pneumatic position monitoring

The AVENTICS Series MS01 is a pneumatic position monitoring that can be integrated into every machine controller as a block solution with the CD01 valve system, which means minimal assembly and installation effort for the user. The measuring system can be mounted on a plastic base plate with a push-in fitting or an aluminium base plate with thread connection. This ensures a solid construction according to ISO standard 15407-1.



### Technical data

|   |   |
|---|---|
| Industry                                    | Industrial  |
| Version                                     | 5x  |
| Version                                     | MS01-PA test block, variant I, with 2 x 3/2-directional valve |
| Standards                                   | ISO 15407-1   |
| Standards                                   | 26 mm   |
| Length                                      | 196 mm  |
| Grid dimension                              | 27 mm   |
| Cleaning pressure option                    | cleaning pressure can be connected                            |
| Compressed air connection standard          | according to ISO 228-1  |
| Compressed air connection input             | G 1/4   |
| Compressed air connection, exhaust          | G 1/8   |
| Compressed air connection output            | Ø 6x1   |
| Compressed air connection pilot air exhaust | G 1/8   |
| Min. working pressure                       | 4 bar   |
| Max. working pressure                       | 10 bar  |
| Min. ambient temperature                    | 0 °C  |
| Max. ambient temperature                    | 50 °C   |
| Min. medium temperature                     | 0 °C  |
| Max. medium temperature                     | 50 °C   |

---

|                                       |                                  |
|---------------------------------------|----------------------------------|
| Medium                                | Compressed air                   |
| Max. particle size                    | 5 µm                             |
| Min. oil content of compressed air    | 0 mg/m <sup>3</sup>              |
| Max. oil content of compressed air    | 0.1 mg/m <sup>3</sup>            |
| Protection class                      | IP65                             |
| Duty cycle                            | 100 %                            |
| Operational voltage DC                | 24 V                             |
| Voltage tolerance DC                  | -10% / +10%                      |
| Valve voltage tolerance               | -10% / +10%                      |
| Min. detection distance               | 0.01 mm                          |
| Max. detection distance               | 0.3 mm                           |
| Electrical connection for test module | Plug                             |
| Electrical connection for test module | M12                              |
| Electrical connection for test module | 5-pin                            |
| Electrical connection                 | Plug                             |
| Electrical connection                 | form C                           |
| Weight                                | 3.22 kg                          |
| Material end plate                    | Aluminum                         |
| Surface end plate                     | Acrylonitrile butadiene rubber   |
| Material front cover                  | Polyamide fiber-glass reinforced |
| Part No.                              | 3354418710                       |

## Technical information

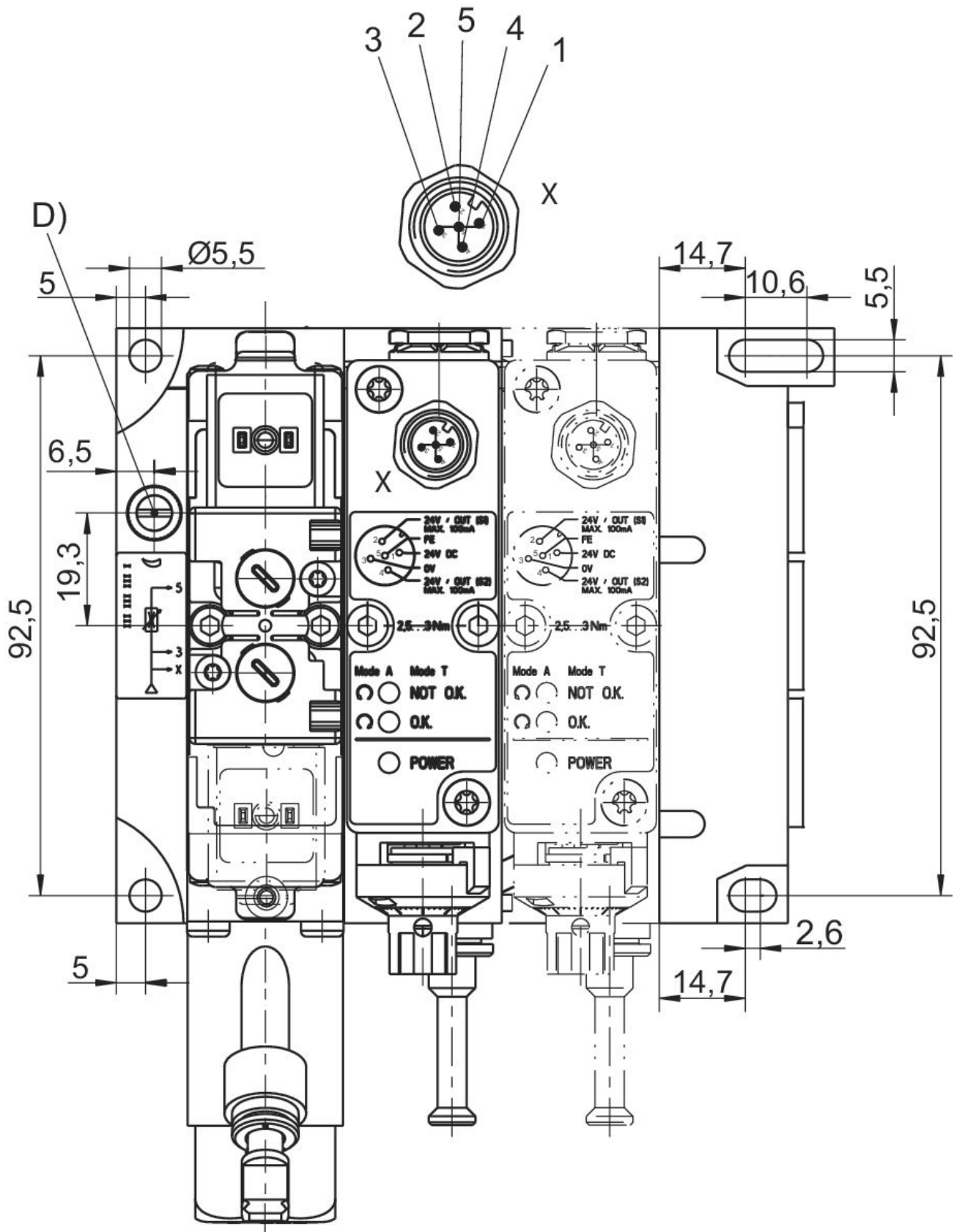
The pressure regulator is preset at [[3] bar].

Expansion options available for pilot valves.

The pressure dew point must be at least 15 °C less than ambient and medium temperature and may not exceed 3 °C.

The oil content of compressed air must remain constant during the life cycle.

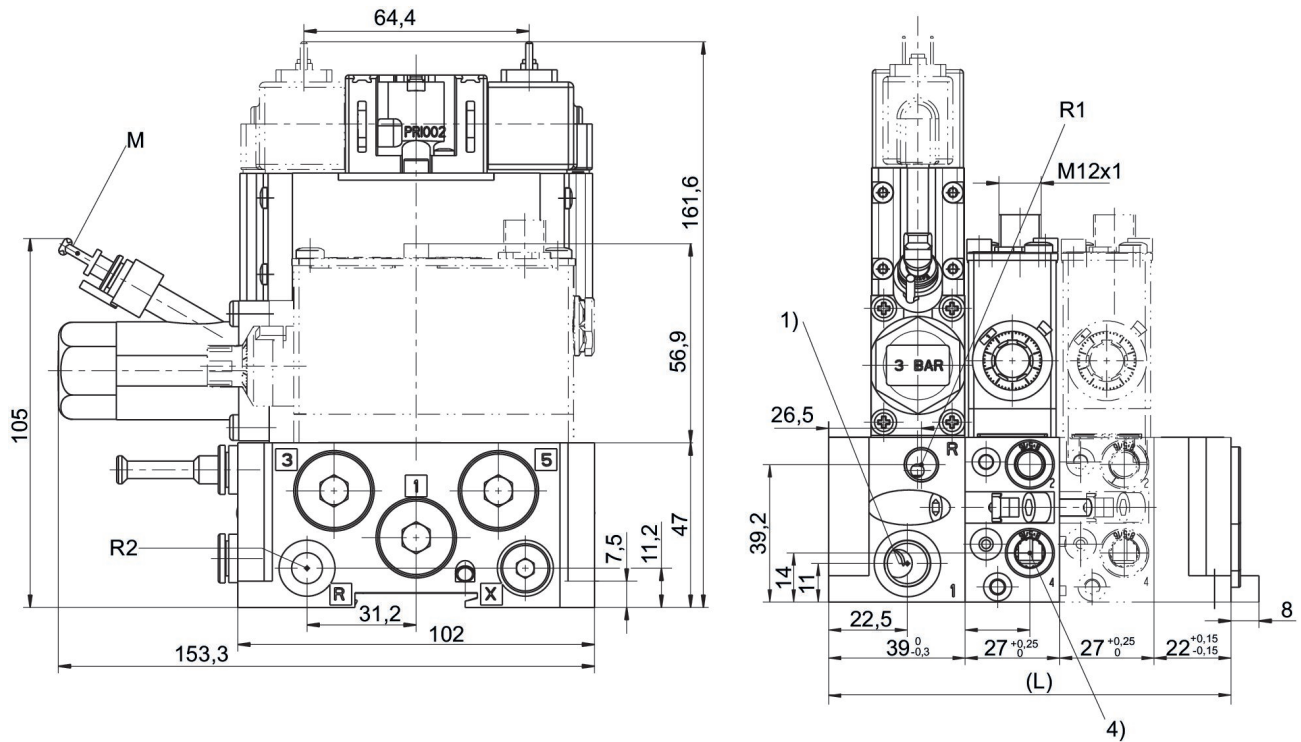
Use only the approved oils from AVENTICS. Further information can be found in the “Technical information” document (available in <https://www.emerson.com/en-us/support>).



D = Throttle (cleaning pressure)

M12 contact assignment: contact 1: 24 V DC contact 2: output signal 24 V DC, S1 (working pressure), max. 100 mA contact 3: 0 V contact 4: output signal 24 V DC, S2 (testing), max. 100 mA contact 5: FE

## Dimensions



- 1) Operating pressure
- 4) Port 4 (to nozzle)
- R1) Test module exhaust/sealing air connection (max. [[1] bar]) R2) Pilot control exhaust
- M) Push-in fitting for plastic tubing Ø 6x1 of the pressure gauge
- L = length