

# Mini slide, Series MSC-MG-HM

R480640180

AVENTICS  
Series  
MSC Guide  
cylinders

2024-04-06

## AVENTICS Series MSC Guide cylinders

The AVENTICS Series MSC mini slides have a compact design, require minimal installation space and can be optimally configured for virtually any automated handling task. A wide range of configuration options make the mini slide a truly universal handling component. Precise and reliable operation, coupled with a custom configuration and tailored to the specific application – these attributes allow the mini slides to assume the actuator role in efficient handling. The Series MSC offers high torque absorption and maximum stability. In addition, it provides technical features that guarantee optimally adjusted functions and maintenance-friendly processes. Fast, secure and efficiently connected with the special Easy-2-Combine Interface, the mini slides can be combined with the other components of a handling system without additional mounting plates.



## Technical data

Industry	Industrial
Note	Scope of delivery: incl. centering rings
Piston Ø	16 mm
Stroke	50 mm
Functional principle	Double-acting
Easy2Combine	capable
double piston	with double piston
Port	M5
Cushioning	hydraulic
Repetitive precision	0,02 mm
Min. working pressure	1 bar
Max. working pressure	10 bar
Min. ambient temperature	0 °C
Max. ambient temperature	60 °C
Medium	Compressed air
Retracting piston force, theoretical	218 N
Extracting piston force, theoretical	253 N
Max. speed	0.8 m/s
Cushioning length	7 mm

# Mini slide, Series MSC-MG-HM

R480640180

AVENTICS  
Series  
MSC Guide  
cylinders

2024-04-06

Cushioning energy	1.2 J
Min. oil content of compressed air	0 mg/m <sup>3</sup>
Max. oil content of compressed air	1 mg/m <sup>3</sup>
Max. particle size	5 µm
Pressure for determining piston forces with integrated ball rail guide	6,3 bar with integrated ball rail guide
Weight	1.29 kg

## Material

Housing material	Aluminum
Surface housing	anodized
Material piston rod	Stainless Steel
Material front plate	Aluminum
Surface front plate	anodized
Seal material	Polyurethane
Material ball rail table	Aluminum
Surface ball rail table	anodized
Material guide rail	Steel, chrome-plated
Surface guide rail	hardened
Material centering rings	Stainless Steel
Part No.	R480640180

## Technical information

Repetitive precision after 100 consecutive strokes: 0,02 mm

Base with air connections at the back and sides

Intermediate strokes can be configured.

Scope of delivery: incl. centering rings

R1 = stroke setting range for forward stroke

R2 = stroke setting range for return stroke

The pressure dew point must be at least 15 °C less than ambient and medium temperature and may not exceed 3 °C.

The oil content of compressed air must remain constant during the life cycle.

Use only the approved oils from AVENTICS. Further information can be found in the "Technical information" document (available in <https://www.emerson.com/en-us/support>).

## Dimensions

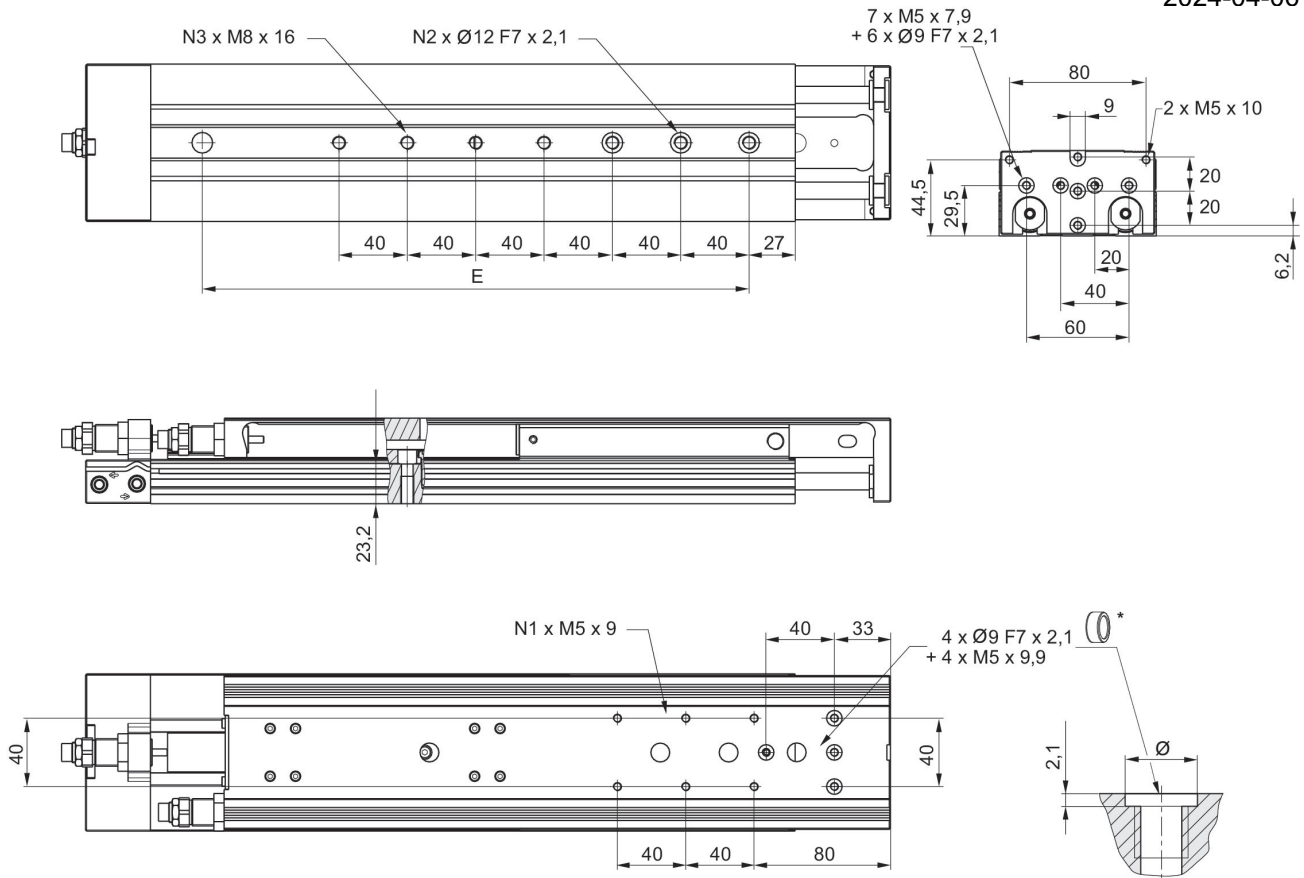
# Mini slide, Series MSC-MG-HM

R480640180

MSC-20

AVENTICS  
Series  
MSC Guide  
cylinders

2024-04-06



\* = centering rings

Part No.	Piston Ø	Stroke	N1	N2	N3
R480640185	20	30	2	2	2
R480640186	20	40	2	2	2
R480640187	20	50	2	2	2
R480640188	20	80	4	3	3
R480640189	20	100	4	3	3

## Dimensions

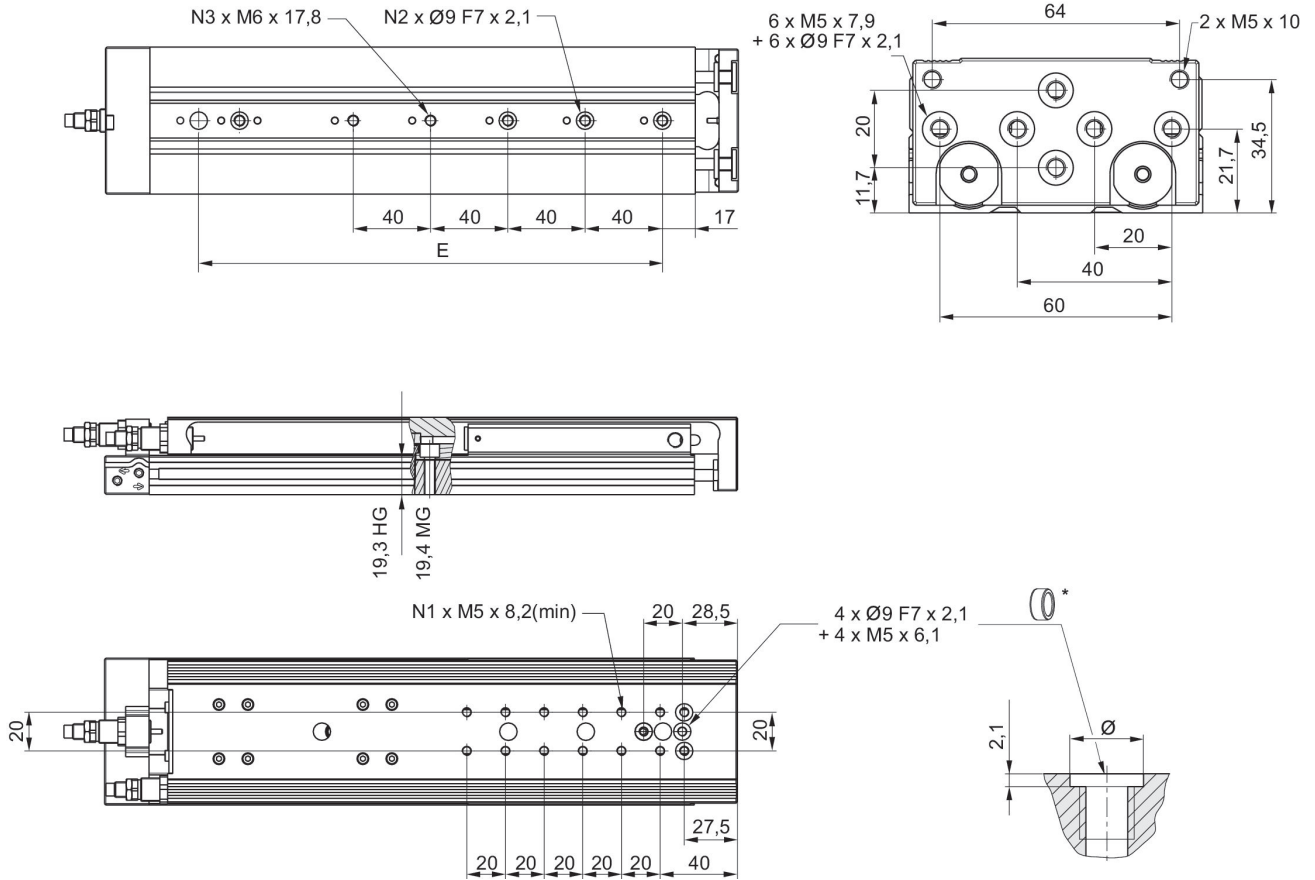
# Mini slide, Series MSC-MG-HM

R480640180

MSC-16

AVENTICS  
Series  
MSC Guide  
cylinders

2024-04-06



\* = centering rings

Part No.	Piston Ø	S	N1	N2	N3	X
R480640178	16	30	2	2	2	
R480640179	16	40	4	2	2	
R480640180	16	50	4	2	2	
R480640181	16	80	6	3	3	
R480640182	16	100	8	3	3	

S = stroke

1) Access to the through hole only after removal of the stroke limitation bolts

## Dimensions

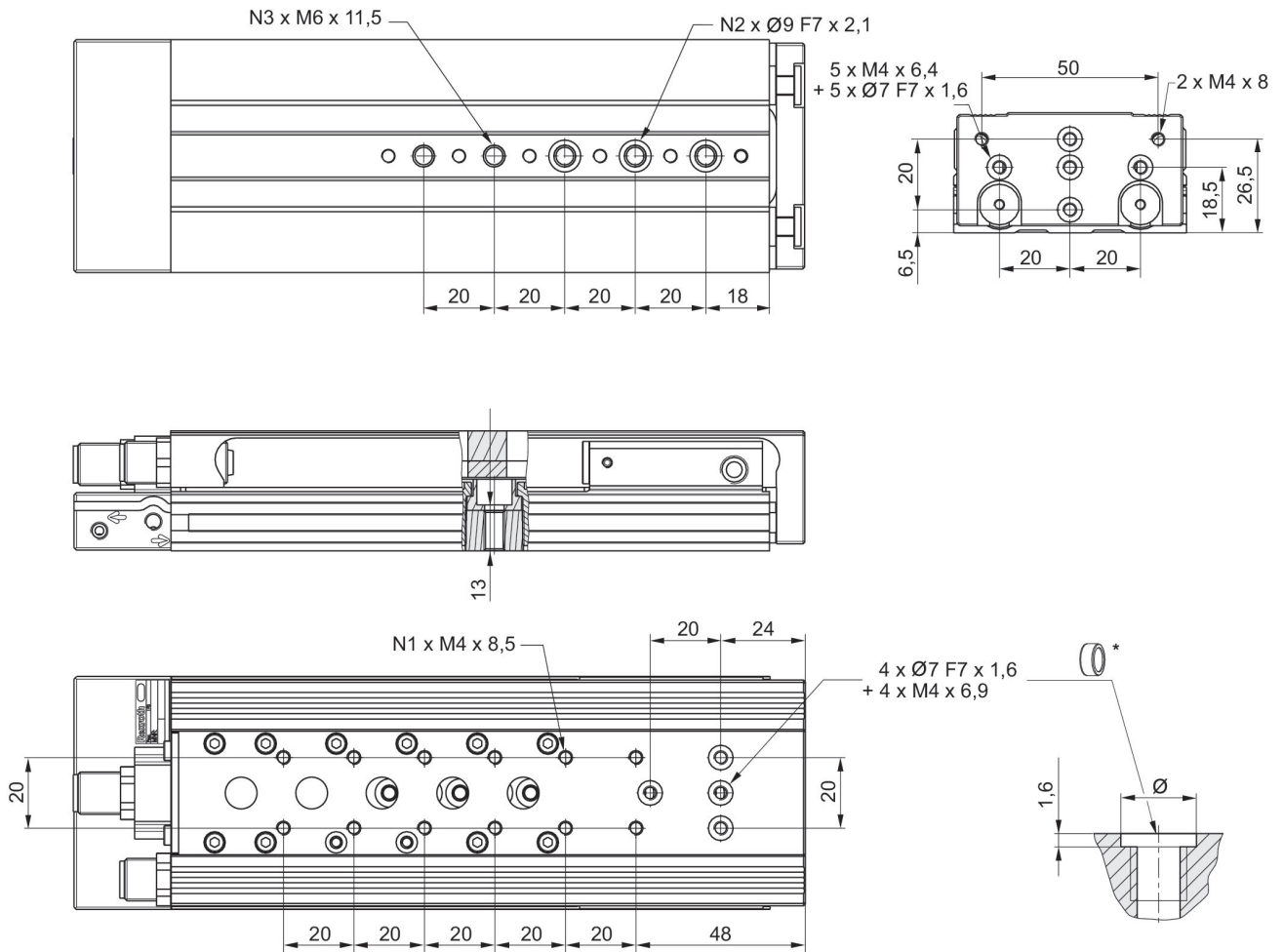
# Mini slide, Series MSC-MG-HM

R480640180

MSC-12

AVENTICS  
Series  
MSC Guide  
cylinders

2024-04-06



\* = centering rings

Part No.	Piston $\varnothing$	S	N1	N2	N3
R480640171	12	30	2	2	2
R480640172	12	40	2	2	2
R480640173	12	50	4	3	3
R480640174	12	80	6	3	5
R480640175	12	100	8	3	5

S = stroke

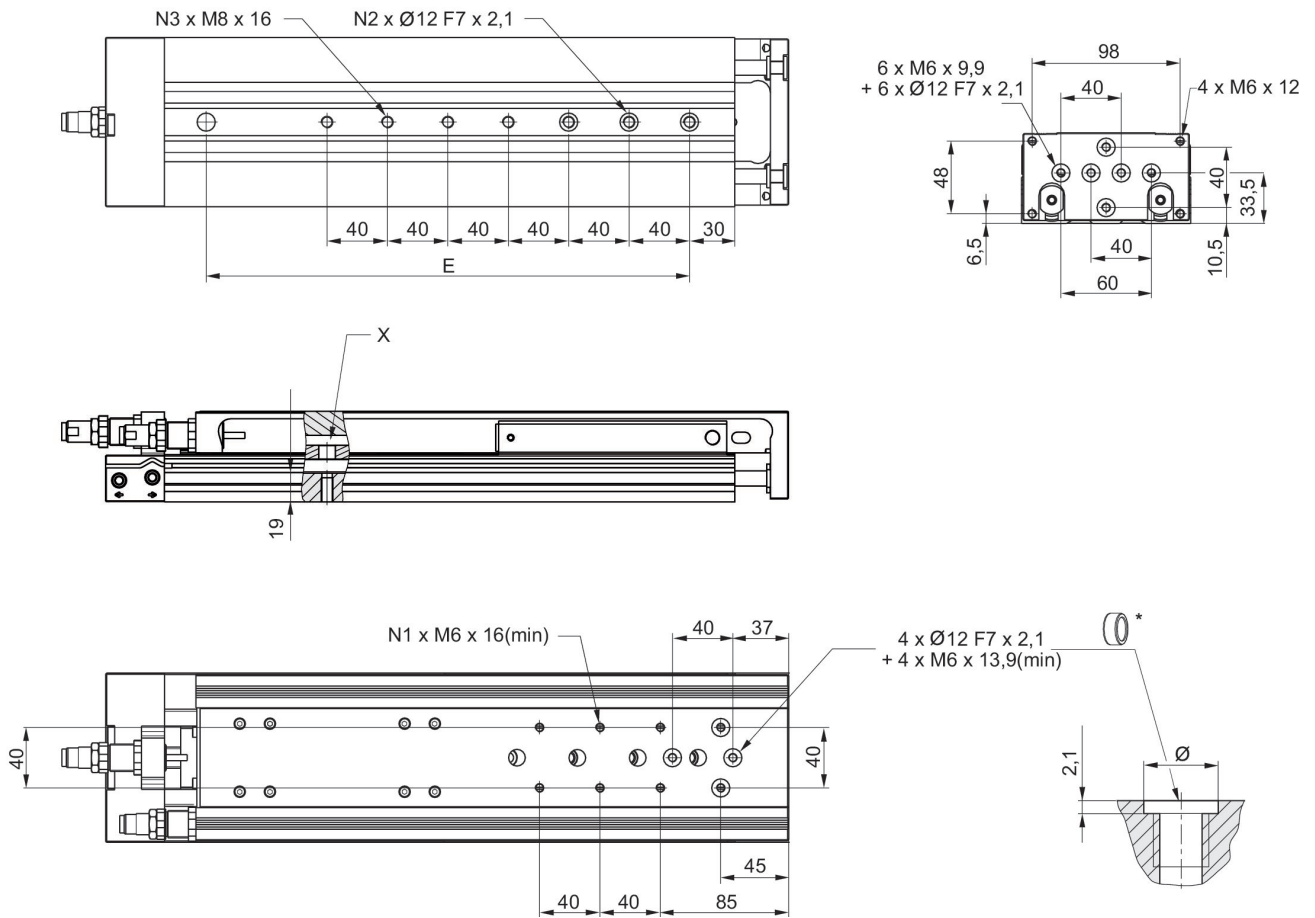
# Mini slide, Series MSC-MG-HM

R480640180

MSC-25

AVENTICS  
Series  
MSC Guide  
cylinders

2024-04-06



\* = centering rings

Part No.	Piston Ø	S	N1	N2	N3	X
R480640192	25	30	2	2	2	1)
R480640193	25	40	2	2	2	
R480640194	25	50	4	2	2	
R480640195	25	80	4	3	3	
R480640196	25	100	4	3	3	

S = stroke

1) Access to the through hole only after removal of the stroke limitation bolts

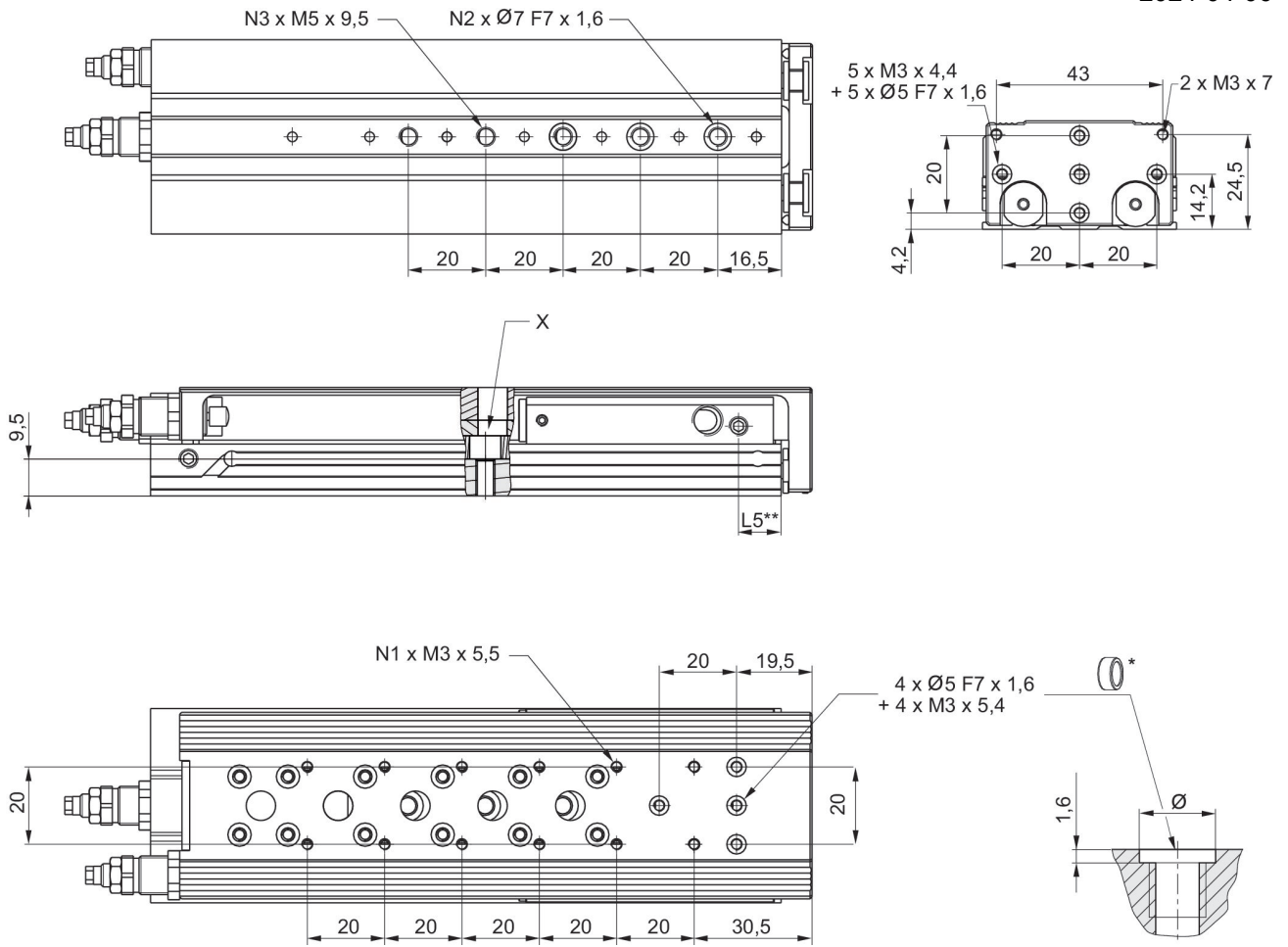
# Mini slide, Series MSC-MG-HM

R480640180

AVENTICS  
Series  
MSC Guide  
cylinders

2024-04-06

## MSC-08



\* = centering rings

\*\* Ø 8 has a different reference plane.

Part No.	Piston Ø	S	N1	N2	N3	L5	X
R480640164	8	20	4	2	2	11	
R480640165	8	30	4	2	2	11	
R480640166	8	40	6	2	2	11	
R480640167	8	50	8	3	3	11	1)
R480640168	8	80	12	3	5	11	

S = stroke

1) Access to the through hole only after removal of the stroke limitation bolts

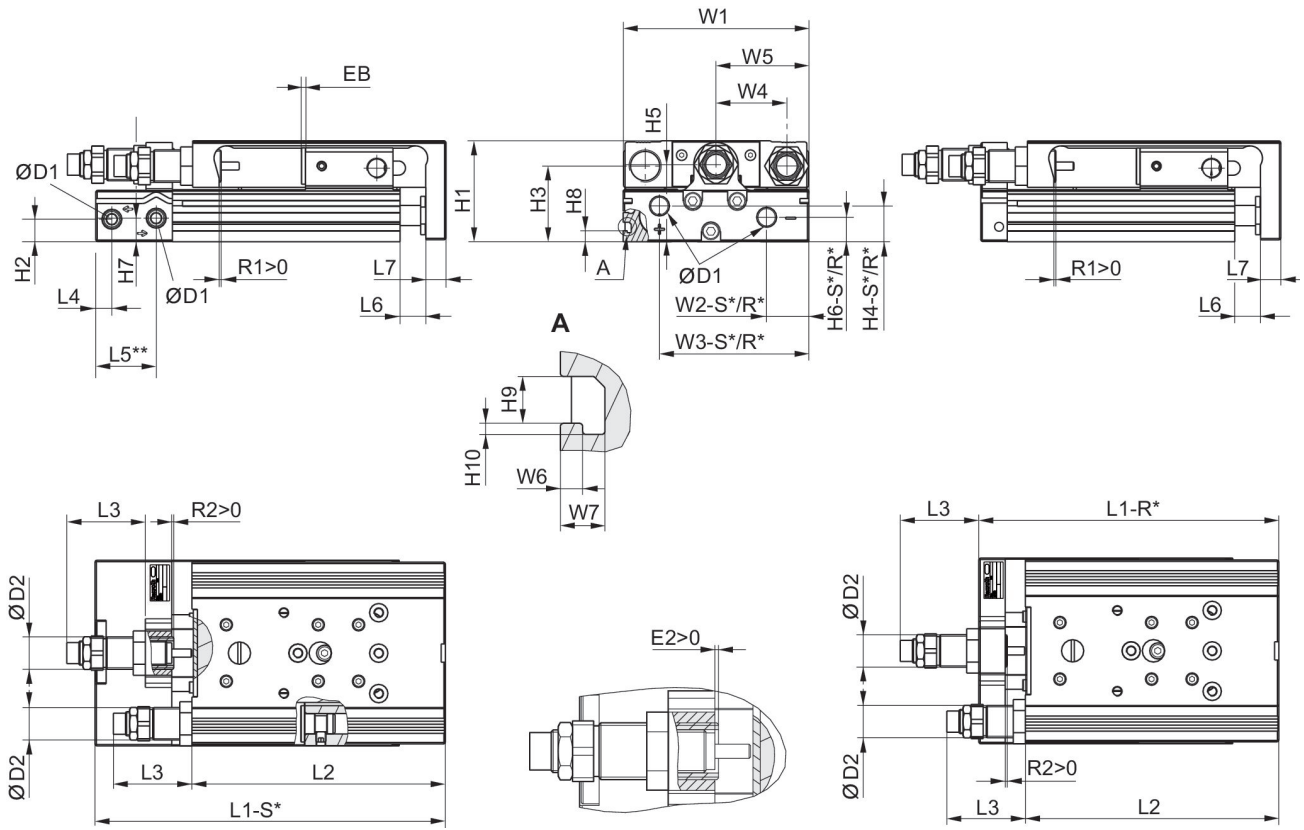
# Mini slide, Series MSC-MG-HM

R480640180

AVENTICS  
Series  
MSC Guide  
cylinders

2024-04-06

## Dimensions



R\*: base with air connections only at the back  
S\*: base with air connections at the back and sides  
\*\* Ø 8 has a different reference plane.

## Correction factor (a)

Part No.	Piston Ø	Stroke	a [mm]	d [mm]	Mx0 Static moment M [Nm]	My0 Static moment M [Nm]	Mz0 Static moment M [Nm]	Mx Dynamic moment M [Nm]	My Dynamic moment M [Nm]
R480640164	8	20	69.5	12	5.8	5.9	5.9	1.1	1.7
R480640165	8	30	69.5	12	5.8	5.9	5.9	1.1	1.7
R480640166	8	40	69.5	12	5.8	5.9	5.9	1.1	1.7
R480640167	8	50	83	12	5.8	5.9	5.9	1.3	1.7
R480640168	8	80	121	12	8	14.6	14.6	1.3	3.7
R480640171	12	30	77	15	13.8	6.45	6.45	3.5	1.6
R480640172	12	40	77	15	13.8	6.45	6.45	3.5	1.6
R480640173	12	50	81	15	13.8	6.45	6.45	3.5	1.6
R480640174	12	80	117	15	17.3	15.6	15.6	5.2	3.5
R480640175	12	100	137	15	17.3	15.6	15.6	5.2	3.5
R480640178	16	30	65	15	31.6	11.95	11.95	6.5	3.2
R480640179	16	40	75	15	31.6	11.95	11.95	6.5	3.2
R480640180	16	50	86	15	31.6	11.95	11.95	7	3.2
R480640181	16	80	123	15	45	27.3	27.3	8.7	6.3
R480640182	16	100	144	15	45	27.3	27.3	8.7	6.3



# Mini slide, Series MSC-MG-HM

R480640180

AVENTICS  
Series  
MSC Guide  
cylinders

Part No.	Piston Ø	Stroke	a [mm]	d [mm]	Mx0 Static moment M [Nm]	My0 Static moment M [Nm]	Mz0 Static moment M [Nm]	Mx Dynamic moment M [Nm]	My Dynamic moment M [Nm]
R480640185	20	30	75	20	31.6	11.95	11.95	9.6	4
R480640186	20	40	75	20	31.6	11.95	11.95	9.6	4
R480640187	20	50	92	20	31.6	11.95	11.95	10	4
R480640188	20	80	125	20	45	27.3	27.3	11.7	8
R480640189	20	100	143	20	45	27.3	27.3	11.7	8
R480640192	25	30	85	24	87	24.5	24.5	22.9	6.6
R480640193	25	40	85	24	87	24.5	24.5	22.9	6.6
R480640194	25	50	102	24	87	24.5	24.5	15.3	6.6
R480640195	25	80	134	24	110	62.5	62.5	18.8	14.5
R480640196	25	100	152	24	110	62.5	62.5	18.8	14.5

Part No.	Mz Dynamic moment M [Nm]
R480640164	1.7
R480640165	1.7
R480640166	1.7
R480640167	1.7
R480640168	3.7
R480640171	1.6
R480640172	1.6
R480640173	1.6
R480640174	3.5
R480640175	3.5
R480640178	3.2
R480640179	3.2
R480640180	3.2
R480640181	6.3
R480640182	6.3
R480640185	4
R480640186	4
R480640187	4
R480640188	8
R480640189	8
R480640192	6.6
R480640193	6.6
R480640194	6.6
R480640195	14.6
R480640196	14.6

## Weight of moving parts [kg]

Piston Ø	S=10	S=20	S=30	S=40	S=50	S=80	S=100	S=125	S=150
8	0.165	0.165	0.165	0.165	0.195	0.265	-	-	-
12	0.28	0.28	0.28	0.28	0.315	0.403	0.46	-	-

# Mini slide, Series MSC-MG-HM

R480640180

AVENTICS  
Series  
MSC Guide  
cylinders

Piston Ø	S=10	S=20	S=30	S=40	S=50	S=80	S=100	S=125	S=150
16	0.375	0.375	0.375	0.4	0.45	0.615	0.65	0.725	0.785
20	0.655	0.655	0.655	0.69	0.765	0.985	1.035	1.2	1.29
25	1.1	1.1	1.1	1.1	1.225	1.45	1.625	1.885	2.085

Piston Ø	S=200
8	-
12	-
16	-
20	1.54
25	2.445

## Stroke-dependent dimensions

Piston Ø	S=10 EB	S=20 EB	S=30 EB	S=40 EB	S=50 EB	S=80 EB	S=100 EB	S=10 L1-R	S=20 L1-R
8	32	22	12	2	2	2	-	-	-
12									
16	22	12	2	2	2	2	2	101.8	101.8
20	22	12	2	2	2	2	2	112.9	112.9
25	32	22	12	2	2	2	2	136.1	136.1

Piston Ø	S=30 L1-R	S=40 L1-R	S=50 L1-R	S=80 L1-R	S=100 L1-R	S=10 L1-S	S=20 L1-S	S=30 L1-S	S=40 L1-S
8	-	-	-	-	-	100.7	100.7	100.7	100.7
12									
16	101.8	111.8	126.8	172.8	192.8	112.7	112.7	112.7	122.7
20	112.9	122.9	137.9	182.9	202.9	137.8	137.8	137.8	147.8
25	136.1	136.1	149.1	195.1	215.1	159.8	159.8	159.8	159.8

Piston Ø	S=50 L1-S	S=80 L1-S	S=100 L1-S	S=10 L2	S=20 L2	S=30 L2	S=40 L2	S=50 L2	S=80 L2
8	120.7	170.7	-	93.5	93.5	93.5	93.5	113.5	163.5
12									
16	137.7	183.7	203.7	90.4	90.4	90.4	100.4	115.4	161.4
20	162.8	207.8	227.8	100.5	100.5	100.5	110.5	125.5	170.5
25	172.8	218.8	238.8	121.5	121.5	121.5	121.5	134.5	180.5

Piston Ø	S=100 L2	S=10 R1 max.	S=20 R1 max.	S=30 R1 max.	S=40 R1 max.	S=50 R1 max.	S=80 R1 max.	S=100 R1 max.	S=10 R2 max.
8	-	4.2	4.2	4.2	4.2	4.2	4.2	-	4.1
12									
16	181.4	8.7	8.7	8.7	8.7	8.7	8.7	8.7	1.5
20	190.5	12.4	12.4	12.4	12.4	12.4	12.4	12.4	1.5
25	200.5	11.5	11.5	11.5	11.5	10.5	11.5	11.5	7.5

Piston Ø	S=20 R2 max.	S=30 R2 max.	S=40 R2 max.	S=50 R2 max.	S=80 R2 max.	S=100 R2 max.
8	4.1	4.1	4.1	4.1	4.1	-
12						
16	1.5	1.5	1.5	6	7	5.7

# Mini slide, Series MSC-MG-HM

R480640180

AVENTICS  
Series  
MSC Guide  
cylinders

2024-04-06

Piston Ø	S=20 R2 max.	S=30 R2 max.	S=40 R2 max.	S=50 R2 max.	S=80 R2 max.	S=100 R2 max.
20	1.5	1.5	11.5	9.5	14	14
25	7.5	7.5	7.5	3.3	7.5	9.2

Piston Ø	Ø D1	Ø D2	H1	H2	H3	H4-R	H4-S	H5	H6-R
8	M5	M10x1	28	9.6	20.5	-	7.5	19.5	-
12	M5	M12x1	34	5.7	25	11.2	11.2	24.5	5.7
16	M5	M12x1	40	7.2	29	12.2	12.2	31	7.7
20	G 1/8	M16x1,5	50	11.2	37.5	17.3	17.3	38.2	11.7
25	G 1/8	M18x1,5	60	14.2	44	15.5	22.9	46.5	13.2

Piston Ø	H6-S	H7	H8	H9	H10	L3 max.	L4	L5 2)	L6
8	5.5	18	-	-	-	31	9.8	-	1.9
12	5.7	8.3	-	-	-	46.7	7.2	22.5	2
16	7.7	11.2	-	-	-	44.9	6.5	17.7	2
20	12.2	11.7	5.5	4.2	1	48.9	8	30	2.1
25	21.7	16.2	6.9	5.2	1.5	67.7	9	31	2.1

Piston Ø	L7	R2	W1	W2-R	W2-S	W3-R	W3-S	W4	W5
8	6	1.9	50.2	-	19.3	-	30.5	18	W1/2
12	8	2	66	28.8	28.8	53	53	24.5	W1/2
16	10	2	76	31	31	60.5	60.5	30	W1/2
20	10	2.1	92	10	21	74	74	35	W1/2
25	12	2.1	112	11	14	92	92	44	W1/2

Piston Ø	W6	W7
8	-	-
12	-	-
16	-	-
20	2	4
25	2.5	4.8

# Mini slide, Series MSC-MG-HM

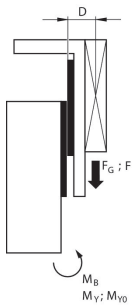
R480640180

AVENTICS  
Series  
MSC Guide  
cylinders

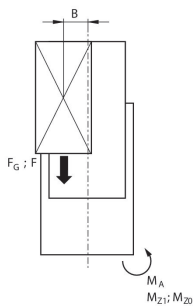
2024-04-06

## Correction factor (a, d)

vertical



stat.	$M_{B0} = (F_G + F) \cdot D$
dyn.	$M_B = F_G \cdot D$



stat.	$M_{A0} = (F_G + F) \cdot B$
dyn.	$M_A = F_G \cdot B$

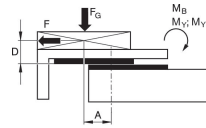
dyn.	$\frac{M_A}{M_1} + \frac{M_B}{M_2} \leq 1$
stat.	$\frac{M_{A0}}{M_{Z0}} + \frac{M_{B0}}{M_{Y0}} \leq 1$

$$F = m \cdot a \quad F_G = m \cdot g \quad a = 1250 \cdot V^2 / H$$

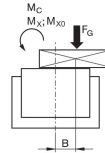
F = deceleration force [N] F<sub>G</sub> = force due to weight [N] m = load mass [kg] a = deceleration [m/s<sup>2</sup>] g = gravitational acceleration 9,81 [m/s<sup>2</sup>] V = velocity [m/s] H = stroke length of shock absorber [mm]

## Correction factor (a, d)

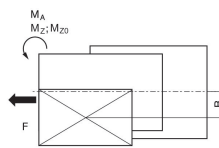
horizontal



stat.	$M_{B0} = F_G \cdot A + F \cdot D$
dyn.	$M_B = F_G \cdot A$



stat.	$M_{C0} = F_G \cdot B$
dyn.	$M_C = F_G \cdot B$



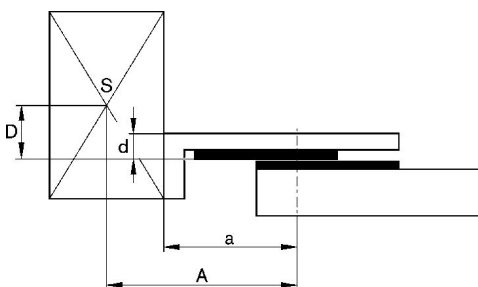
stat.	$M_{A0} = F \cdot B$
dyn.	$M_A = 0$

dyn.	$\frac{M_A}{M_1} + \frac{M_B}{M_2} + \frac{M_C}{M_3} \leq 1$
stat.	$\frac{M_{A0}}{M_{Z0}} + \frac{M_{B0}}{M_{Y0}} + \frac{M_{C0}}{M_{X0}} \leq 1$

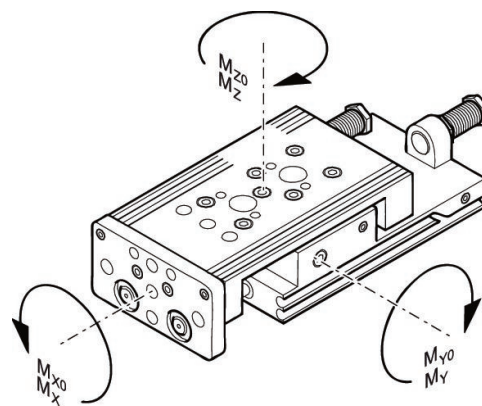
$$F = m \cdot a \quad F_G = m \cdot g \quad a = 1250 \cdot V^2 / H$$

F = deceleration force [N] F<sub>G</sub> = force due to weight [N] m = load mass [kg] a = deceleration [m/s<sup>2</sup>] g = gravitational acceleration 9,81 [m/s<sup>2</sup>] V = velocity [m/s] H = stroke length of shock absorber [mm]

## Correction factor (a, d)



## Load capacity



M = max. permissible torque

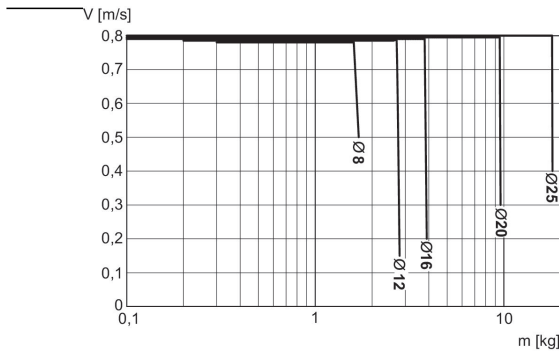
# Mini slide, Series MSC-MG-HM

R480640180

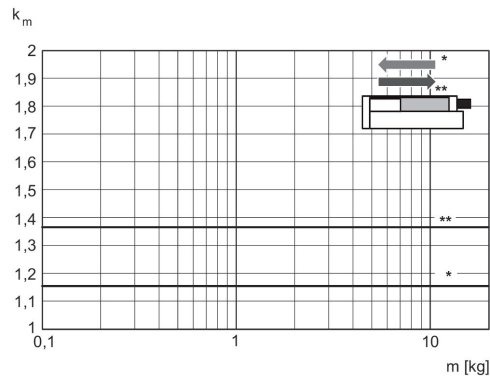
AVENTICS  
Series  
MSC Guide  
cylinders  
2024-04-06

## Minimum and maximum moving mass

## Correction factor for required speed: retracting and extending, horizontal



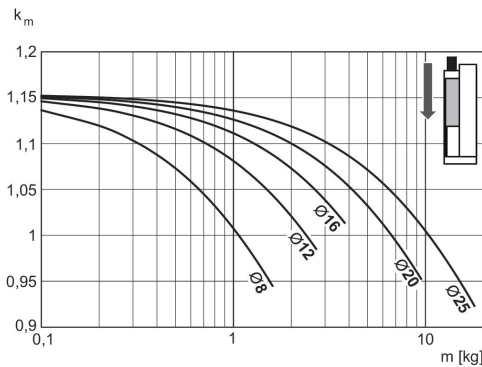
V = velocity [m/s]  
m = mass



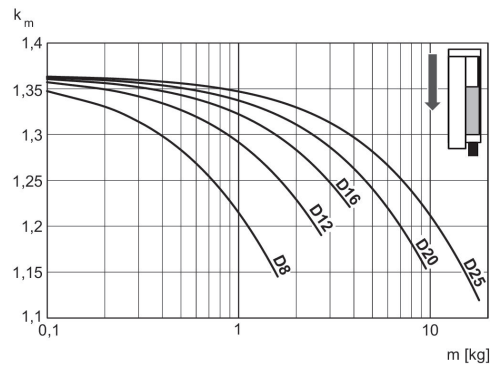
\* retracting  
\*\* extracting  
 $V = s/1000 \cdot t \cdot k_m$   
V = velocity [m/s]  
S = stroke

## Correction factor for required speed: extending, vertical, downwards

## Correction factor for required speed: retracting, vertical, downwards



$V = s/1000 \cdot t \cdot k_m$   
V = velocity [m/s]  
S = stroke [mm]  
t = time [s] for one stroke  
m = mass



$V = s/1000 \cdot t \cdot k_m$   
V = velocity [m/s]  
S = stroke [mm]  
t = time [s] for one stroke  
m = mass

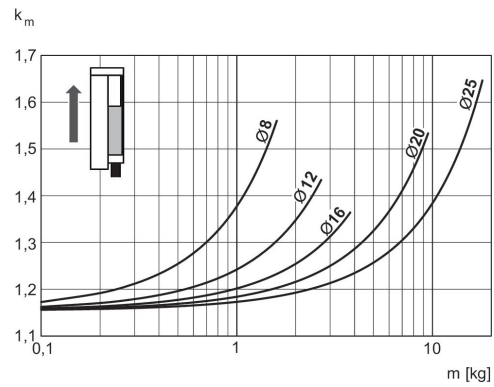
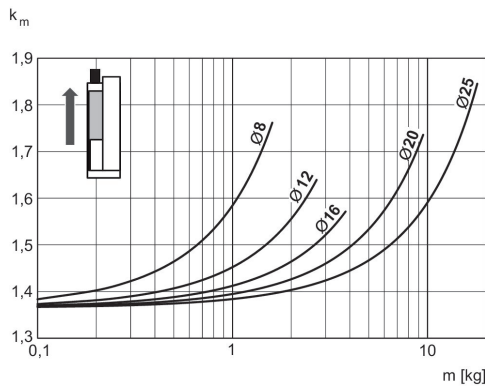
# Mini slide, Series MSC-MG-HM

R480640180

AVENTICS  
Series  
MSC Guide  
cylinders  
2024-04-06

Correction factor for required speed:  
retracting, vertical, upwards

Correction factor for required speed:  
extending, vertical, upwards

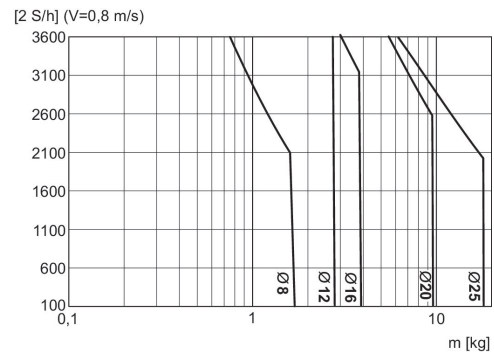
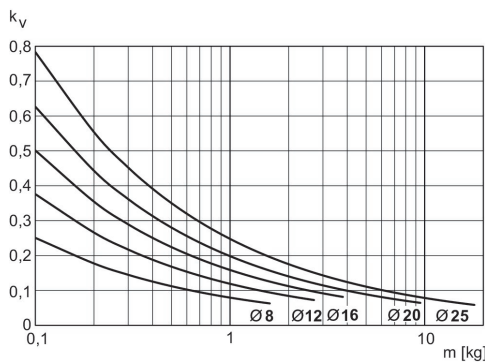


$V = s/1000 \cdot t \cdot km$   
V = velocity [m/s]  
S = stroke [mm]  
t = time [s] for one stroke  
m = mass

$V = s/1000 \cdot t \cdot km$   
V = velocity [m/s]  
S = stroke [mm]  
t = time [s] for one stroke  
m = mass

Max. extracting speed

Max. additional moving mass, vertical



$V = \sqrt{s \cdot kv}$   
V = velocity [m/s]  
S = stroke [mm]  
m = mass

S = stroke [mm]  
 $2 \times S = 1 \text{ cycle}$   
V = velocity [m/s]  
m = mass

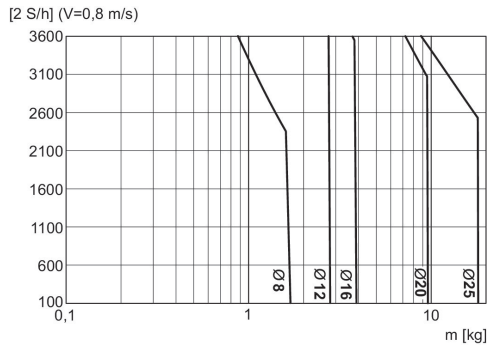
# Mini slide, Series MSC-MG-HM

R480640180

AVENTICS  
Series  
MSC Guide  
cylinders

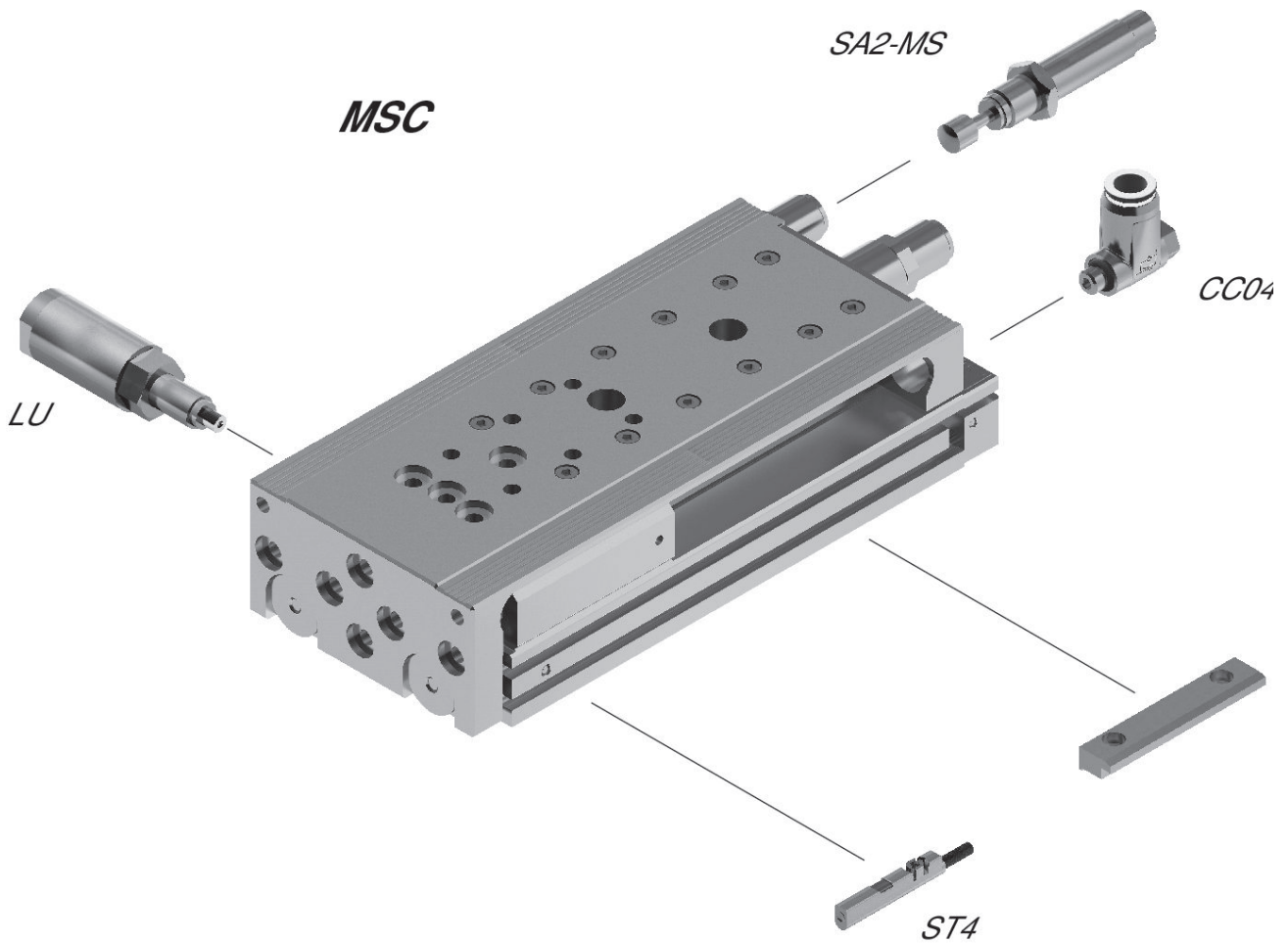
Max. additional moving mass,  
horizontal

2024-04-06



S = stroke [mm]  
2 x S = 1 cycle  
V = velocity [m/s]  
m = mass

## Overview drawing



NOTE: This overview drawing is only for orientation to indicate where the various accessory parts can be fastened to the cylinder. The illustration has been simplified for this purpose. It is thus not possible to derive the dimensions from this overview.

# Mini slide, Series MSC-MG-HM

R480640180

AVENTICS  
Series  
MSC Guide  
cylinders

2024-04-06

---

Part No.	Piston Ø	S	N1	N2	N3	X
R480640185	20	30	2	2	2	
R480640186	20	40	2	2	2	
R480640187	20	50	2	2	2	
R480640188	20	80	4	3	3	
R480640189	20	100	4	3	3	

S = stroke

1) Access to the through hole only after removal of the stroke limitation bolts