

# Mini slide, Series MSC-MG-EE

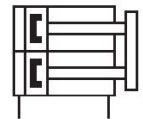
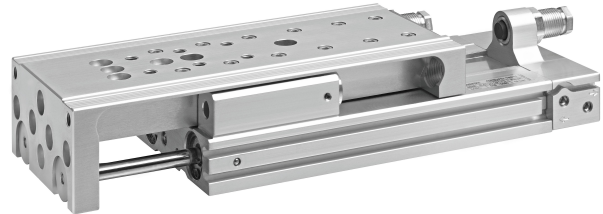
R480640153

AVENTICS  
Series  
MSC Guide  
cylinders

2024-04-06

## AVENTICS Series MSC Guide cylinders

The AVENTICS Series MSC mini slides have a compact design, require minimal installation space and can be optimally configured for virtually any automated handling task. A wide range of configuration options make the mini slide a truly universal handling component. Precise and reliable operation, coupled with a custom configuration and tailored to the specific application – these attributes allow the mini slides to assume the actuator role in efficient handling. The Series MSC offers high torque absorption and maximum stability. In addition, it provides technical features that guarantee optimally adjusted functions and maintenance-friendly processes. Fast, secure and efficiently connected with the special Easy-2-Combine Interface, the mini slides can be combined with the other components of a handling system without additional mounting plates.



## Technical data

|                                      |  |
|--------------------------------------|--|
| Industry                             | Industrial                               |
| Note                                 | Scope of delivery: incl. centering rings |
| Piston Ø                             | 25 mm                                    |
| Stroke                               | 100 mm                                   |
| Functional principle                 | Double-acting                            |
| Easy2Combine                         | capable                                  |
| double piston                        | with double piston                       |
| Port                                 | G 1/8                                    |
| Cushioning                           | elastic                                  |
| Repetitive precision                 | 0,3 mm                                   |
| Min. working pressure                | 1 bar                                    |
| Max. working pressure                | 10 bar                                   |
| Min. ambient temperature             | 0 °C                                     |
| Max. ambient temperature             | 60 °C                                    |
| Medium                               | Compressed air                           |
| Retracting piston force, theoretical | 520 N                                    |
| Extracting piston force, theoretical | 619 N                                    |
| Max. speed                           | 0.8 m/s                                  |
| Cushioning length                    | 1.6 mm                                   |

# Mini slide, Series MSC-MG-EE

R480640153

AVENTICS  
Series  
MSC Guide  
cylinders

2024-04-06

|   |  |
|---|--|
| Cushioning energy   | 0.5 J                                      |
| Min. oil content of compressed air  | 0 mg/m <sup>3</sup>                        |
| Max. oil content of compressed air  | 1 mg/m <sup>3</sup>                        |
| Max. particle size  | 5 µm                                       |
| Pressure for determining piston forces<br>with integrated ball rail guide | 6,3 bar<br>with integrated ball rail guide |
| Weight  | 3.56 kg                                    |

## Material

|                          |                      |
|--------------------------|----------------------|
| Housing material         | Aluminum             |
| Surface housing          | anodized             |
| Material piston rod      | Stainless Steel      |
| Material front plate     | Aluminum             |
| Surface front plate      | anodized             |
| Seal material            | Polyurethane         |
| Material ball rail table | Aluminum             |
| Surface ball rail table  | anodized             |
| Material guide rail      | Steel, chrome-plated |
| Surface guide rail       | hardened             |
| Material centering rings | Stainless Steel      |
| Part No.                 | R480640153           |

## Technical information

Repetitive precision after 100 consecutive strokes: 0,3 mm

Base with air connections at the back and sides

Intermediate strokes can be configured.

Scope of delivery: incl. centering rings

R1 = stroke setting range for forward stroke

R2 = stroke setting range for return stroke

Ø 8 has a different reference plane.

The pressure dew point must be at least 15 °C less than ambient and medium temperature and may not exceed 3 °C.

The oil content of compressed air must remain constant during the life cycle.

Use only the approved oils from AVENTICS. Further information can be found in the "Technical information" document (available in <https://www.emerson.com/en-us/support>).

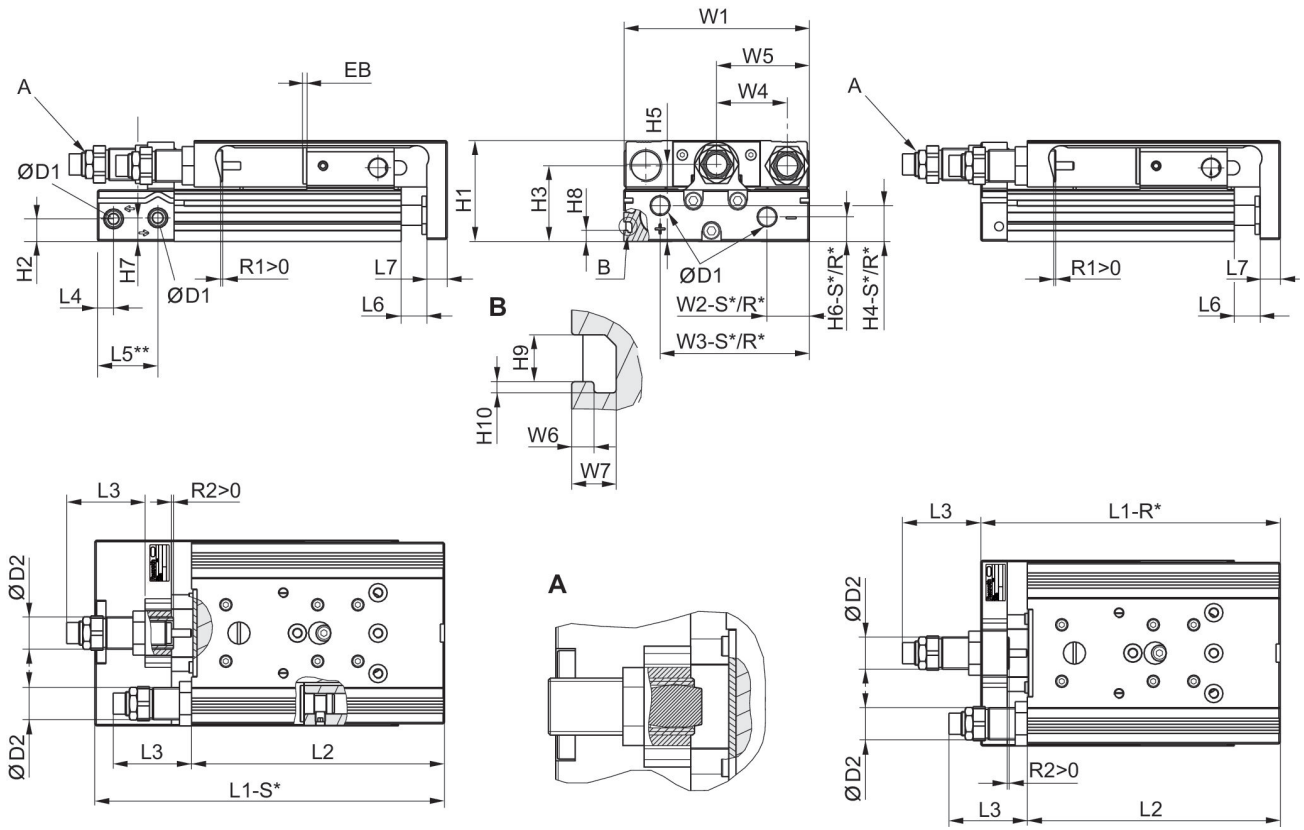
# Mini slide, Series MSC-MG-EE

R480640153

AVENTICS  
Series  
MSC Guide  
cylinders

2024-04-06

## Dimensions



R\*: base with air connections only at the back  
S\*: base with air connections at the back and sides  
\*\* Ø 8 has a different reference plane.

## Stroke-dependent dimensions

|          |              |              |              |              |              |               |              |               |              |
|----------|--------------|--------------|--------------|--------------|--------------|---------------|--------------|---------------|--------------|
| Piston Ø | S=10 EB      | S=20 EB      | S=30 EB      | S=40 EB      | S=50 EB      | S=80 EB       | S=100 EB     | S=10 L1-R     | S=20 L1-R    |
| 8        | 32           | 22           | 12           | 2            | 2            | 2             | -            | -             | -            |
| Piston Ø | S=30 L1-R    | S=40 L1-R    | S=50 L1-R    | S=80 L1-R    | S=100 L1-R   | S=10 L1-S     | S=20 L1-S    | S=30 L1-S     | S=40 L1-S    |
| 8        | -            | -            | -            | -            | -            | 101.7         | 101.7        | 101.7         | 101.7        |
| Piston Ø | S=50 L1-S    | S=80 L1-S    | S=100 L1-S   | S=10 L2      | S=20 L2      | S=30 L2       | S=40 L2      | S=50 L2       | S=80 L2      |
| 8        | 121.7        | 171.7        | -            | 93.5         | 93.5         | 93.5          | 93.5         | 113.5         | 163.5        |
| Piston Ø | S=100 L2     | S=10 R1 max. | S=20 R1 max. | S=30 R1 max. | S=40 R1 max. | S=50 R1 max.  | S=80 R1 max. | S=100 R1 max. | S=10 R2 max. |
| 8        | -            | 9.2          | 9.2          | 9.2          | 9.2          | 9.2           | 9.2          | -             | 4.5          |
| Piston Ø | S=20 R2 max. | S=30 R2 max. | S=40 R2 max. | S=50 R2 max. | S=80 R2 max. | S=100 R2 max. |              |               |              |
| 8        | 4.5          | 4.5          | 4.5          | 4.5          | 4.5          | -             |              |               |              |

# Mini slide, Series MSC-MG-EE

R480640153

AVENTICS  
Series  
MSC Guide  
cylinders

2024-04-06

| Piston Ø | Ø D1  | Ø D2    | H1 | H2   | H3   | H4-R | H4-S | H5   | H6-R |
|----------|-------|---------|----|------|------|------|------|------|------|
| 8        | M5    | M10x1   | 28 | 9.6  | 20.5 | -    | 7.5  | 19.5 | -    |
| 12       | M5    | M12x1   | 34 | 5.7  | 25   | 11.2 | 11.2 | 24.5 | 5.7  |
| 16       | M5    | M12x1   | 40 | 7.2  | 29   | 12.2 | 12.2 | 31   | 7.7  |
| 20       | G 1/8 | M16x1,5 | 50 | 11.2 | 37.5 | 17.3 | 17.3 | 38.2 | 11.7 |
| 25       | G 1/8 | M18x1,5 | 60 | 14.2 | 44   | 15.5 | 22.9 | 46.5 | 13.2 |

| Piston Ø | H6-S | H7   | H8  | H9  | H10 | L3 max. | L4  | L5 2) | L6  |
|----------|------|------|-----|-----|-----|---------|-----|-------|-----|
| 8        | 5.5  | 18   | -   | -   | -   | 16      | 9.8 | -     | 1.9 |
| 12       | 5.7  | 8.3  | -   | -   | -   | 20.2    | 7.2 | 22.5  | 2   |
| 16       | 7.7  | 11.2 | -   | -   | -   | 18.4    | 6.5 | 17.7  | 2   |
| 20       | 12.2 | 11.7 | 5.5 | 4.2 | 1   | 27.9    | 8   | 30    | 2.1 |
| 25       | 21.7 | 16.2 | 6.9 | 5.2 | 1.5 | 29.2    | 9   | 31    | 2.1 |

| Piston Ø | L7 | W1   | W2-R | W2-S | W3-R | W3-S | W4   | W5   | W6  |
|----------|----|------|------|------|------|------|------|------|-----|
| 8        | 6  | 50.2 | -    | 19.3 | -    | 30.5 | 18   | W1/2 | -   |
| 12       | 8  | 66   | 28.8 | 28.8 | 53   | 53   | 24.5 | W1/2 | -   |
| 16       | 10 | 76   | 31   | 31   | 60.5 | 60.5 | 30   | W1/2 | -   |
| 20       | 10 | 92   | 10   | 21   | 74   | 74   | 35   | W1/2 | 2   |
| 25       | 12 | 112  | 11   | 14   | 92   | 92   | 44   | W1/2 | 2.5 |

| Piston Ø | W7  |
|----------|-----|
| 8        | -   |
| 12       | -   |
| 16       | -   |
| 20       | 4   |
| 25       | 4.8 |

## Dimensions

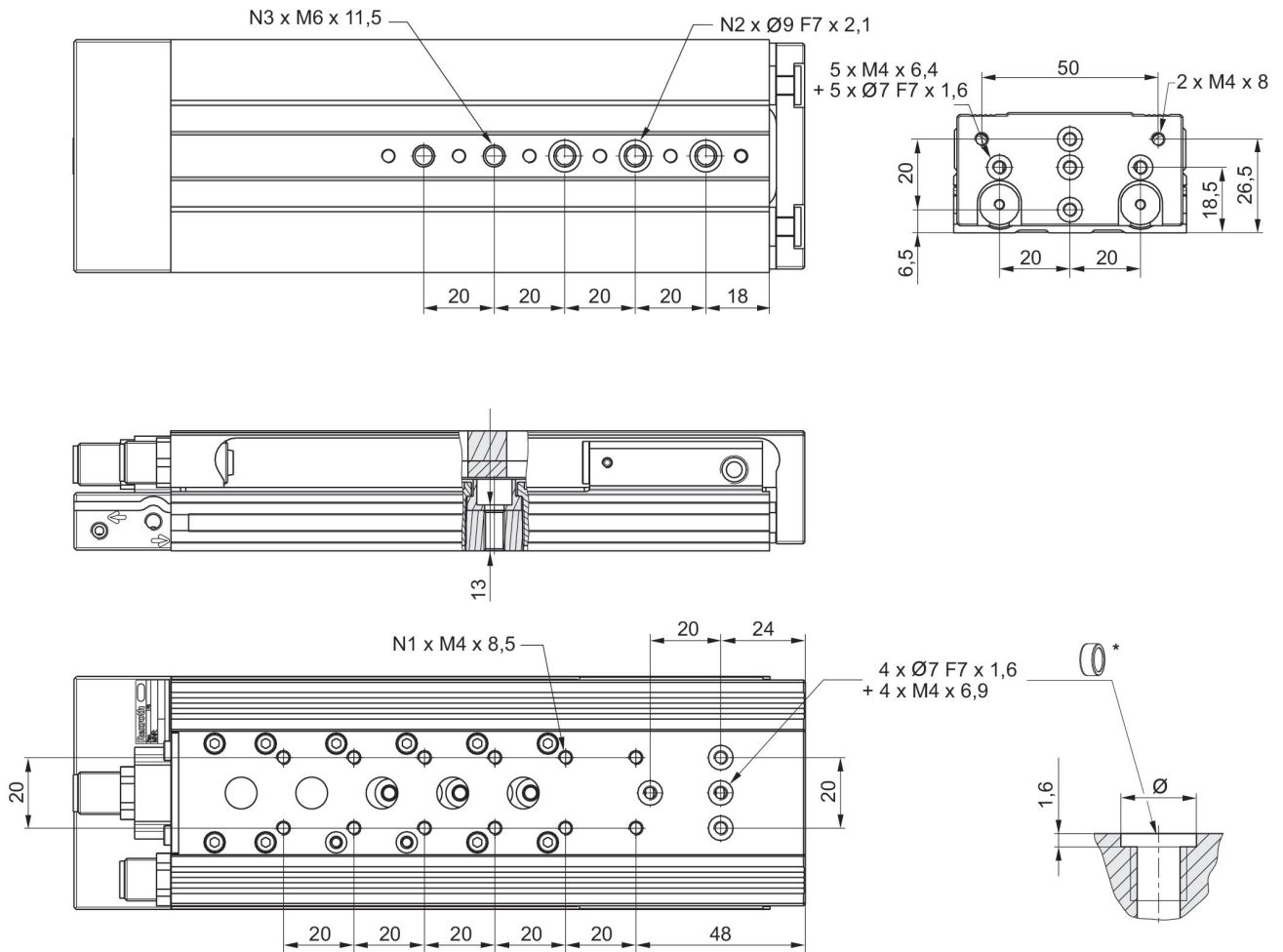
# Mini slide, Series MSC-MG-EE

R480640153

MSC-12

AVENTICS  
Series  
MSC Guide  
cylinders

2024-04-06



\* = centering rings

| Part No.   | Piston $\varnothing$ | S   | N1 | N2 | N3 |
|------------|----------------------|-----|----|----|----|
| R480640126 | 12                   | 10  | 2  | 2  | 2  |
| R480640127 | 12                   | 20  | 2  | 2  | 2  |
| R480640128 | 12                   | 30  | 2  | 2  | 2  |
| R480640129 | 12                   | 40  | 2  | 2  | 2  |
| R480640130 | 12                   | 50  | 4  | 3  | 3  |
| R480640131 | 12                   | 80  | 6  | 3  | 5  |
| R480640132 | 12                   | 100 | 8  | 3  | 5  |

S = stroke

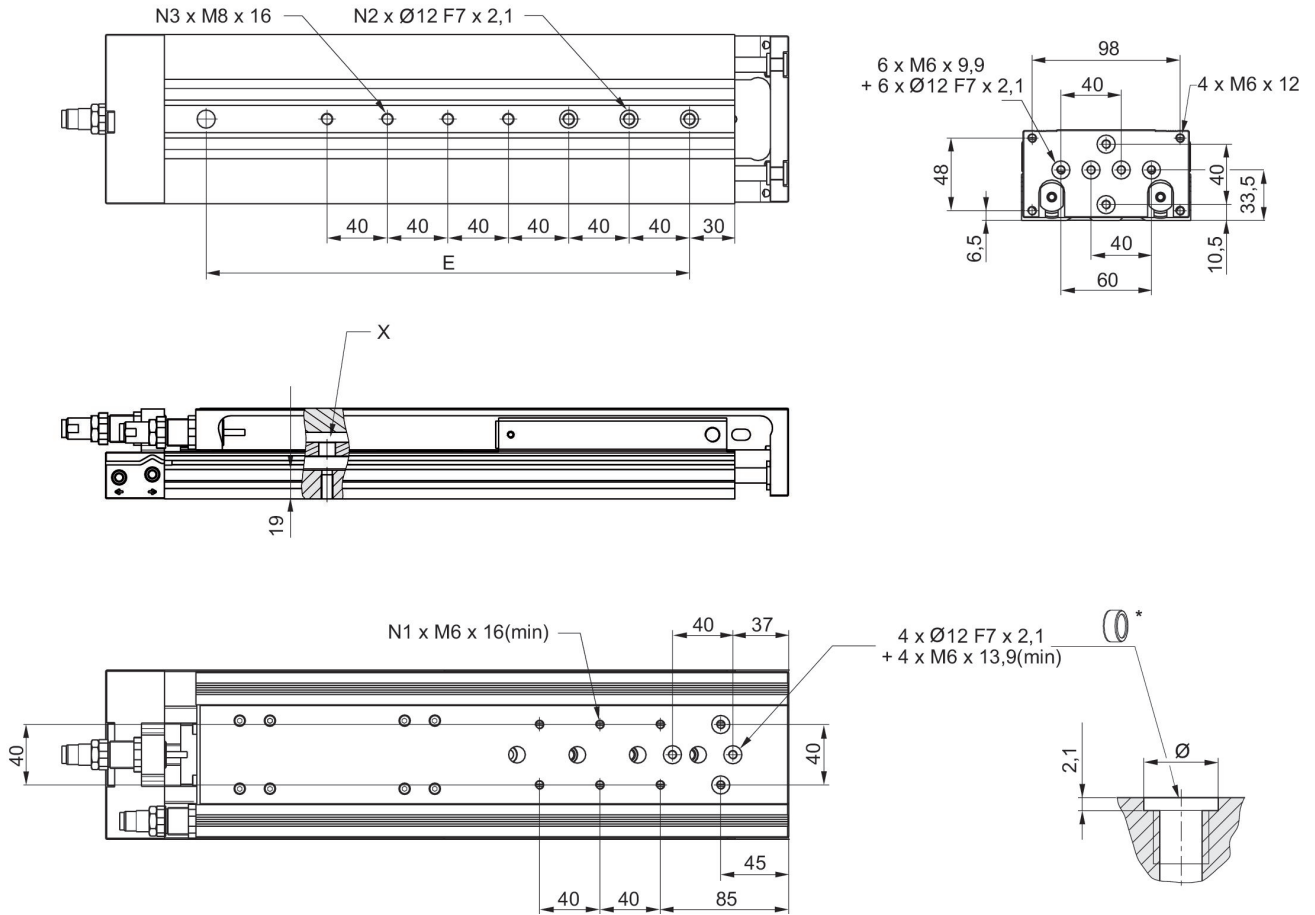
# Mini slide, Series MSC-MG-EE

R480640153

MSC-25

AVENTICS  
Series  
MSC Guide  
cylinders

2024-04-06



\* = centering rings

| Part No.   | Piston Ø | S   | N1 | N2 | N3 | X  |
|------------|----------|-----|----|----|----|----|
| R480640147 | 25       | 10  | 2  | 2  | 2  | 1) |
| R480640148 | 25       | 20  | 2  | 2  | 2  | 1) |
| R480640149 | 25       | 30  | 2  | 2  | 2  | 1) |
| R480640150 | 25       | 40  | 2  | 2  | 2  |    |
| R480640151 | 25       | 50  | 4  | 2  | 2  |    |
| R480640152 | 25       | 80  | 4  | 3  | 3  |    |
| R480640153 | 25       | 100 | 4  | 3  | 3  |    |

S = stroke

1) Access to the through hole only after removal of the stroke limitation bolts

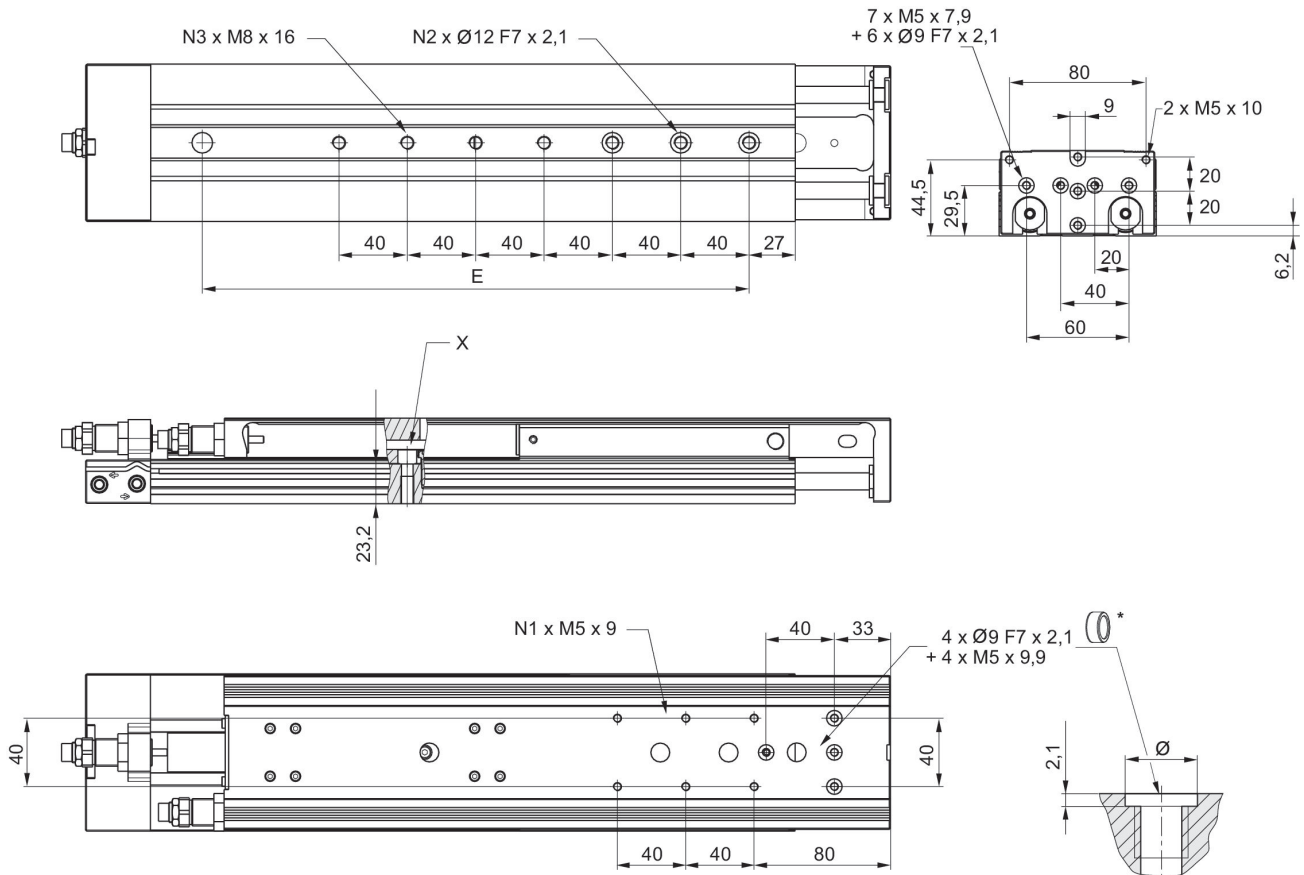
# Mini slide, Series MSC-MG-EE

R480640153

AVENTICS  
Series  
MSC Guide  
cylinders

2024-04-06

## MSC-20



\* = centering rings

| Part No.   | Piston Ø | S   | N1 | N2 | N3 | X  |
|------------|----------|-----|----|----|----|----|
| R480640140 | 20       | 10  | 2  | 2  | 2  | 1) |
| R480640141 | 20       | 20  | 2  | 2  | 2  | 1) |
| R480640142 | 20       | 30  | 2  | 2  | 2  |    |
| R480640143 | 20       | 40  | 2  | 2  | 2  |    |
| R480640144 | 20       | 50  | 2  | 2  | 2  |    |
| R480640145 | 20       | 80  | 4  | 3  | 3  |    |
| R480640146 | 20       | 100 | 4  | 3  | 3  |    |

S = stroke

1) Access to the through hole only after removal of the stroke limitation bolts

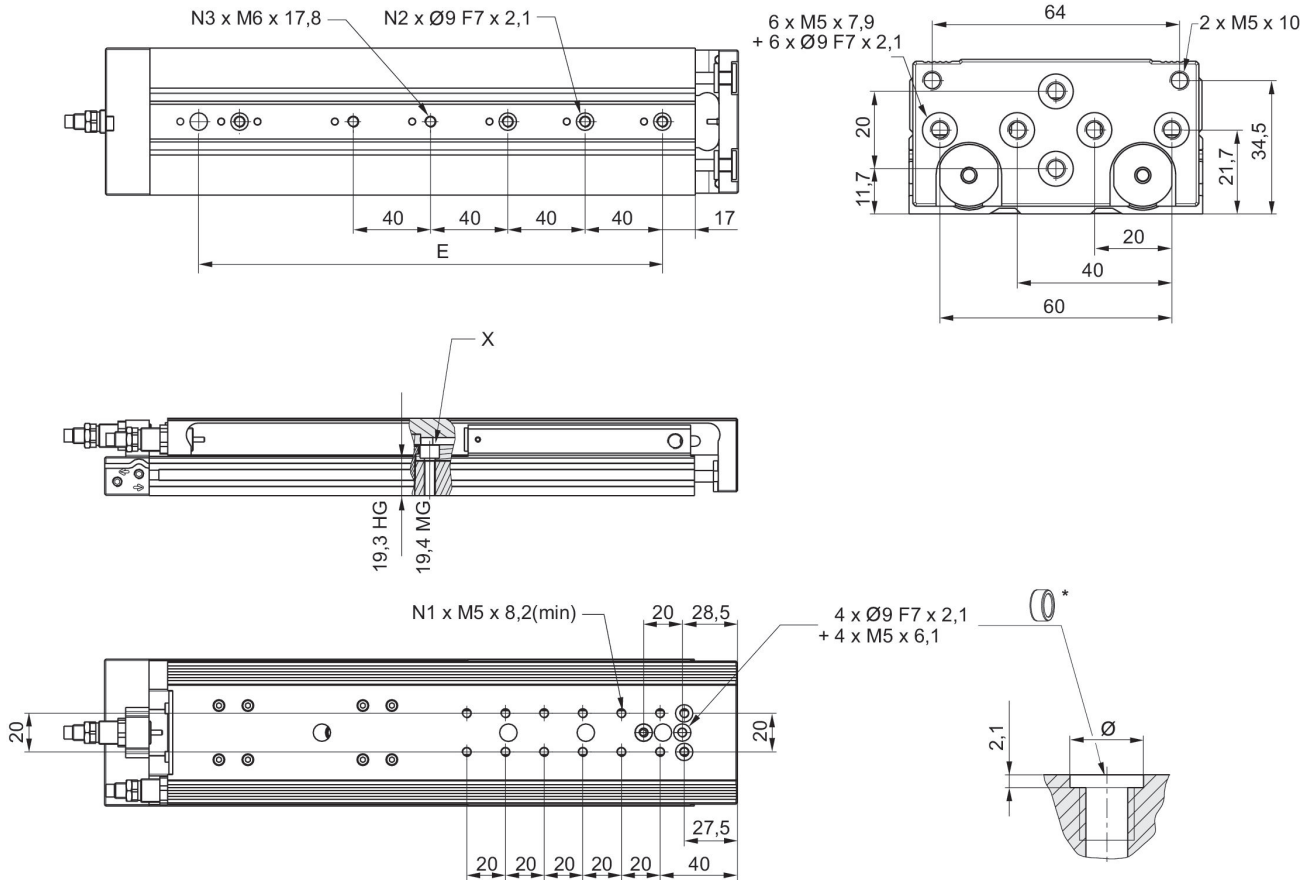
# Mini slide, Series MSC-MG-EE

R480640153

MSC-16

AVENTICS  
Series  
MSC Guide  
cylinders

2024-04-06



\* = centering rings

| Part No.   | Piston Ø | S   | N1 | N2 | N3 | X  |
|------------|----------|-----|----|----|----|----|
| R480640133 | 16       | 10  | 2  | 2  | 2  | 1) |
| R480640134 | 16       | 20  | 2  | 2  | 2  | 1) |
| R480640135 | 16       | 30  | 2  | 2  | 2  |    |
| R480640136 | 16       | 40  | 4  | 2  | 2  |    |
| R480640137 | 16       | 50  | 4  | 2  | 2  |    |
| R480640138 | 16       | 80  | 6  | 3  | 3  |    |
| R480640139 | 16       | 100 | 8  | 3  | 3  |    |

S = stroke

1) Access to the through hole only after removal of the stroke limitation bolts



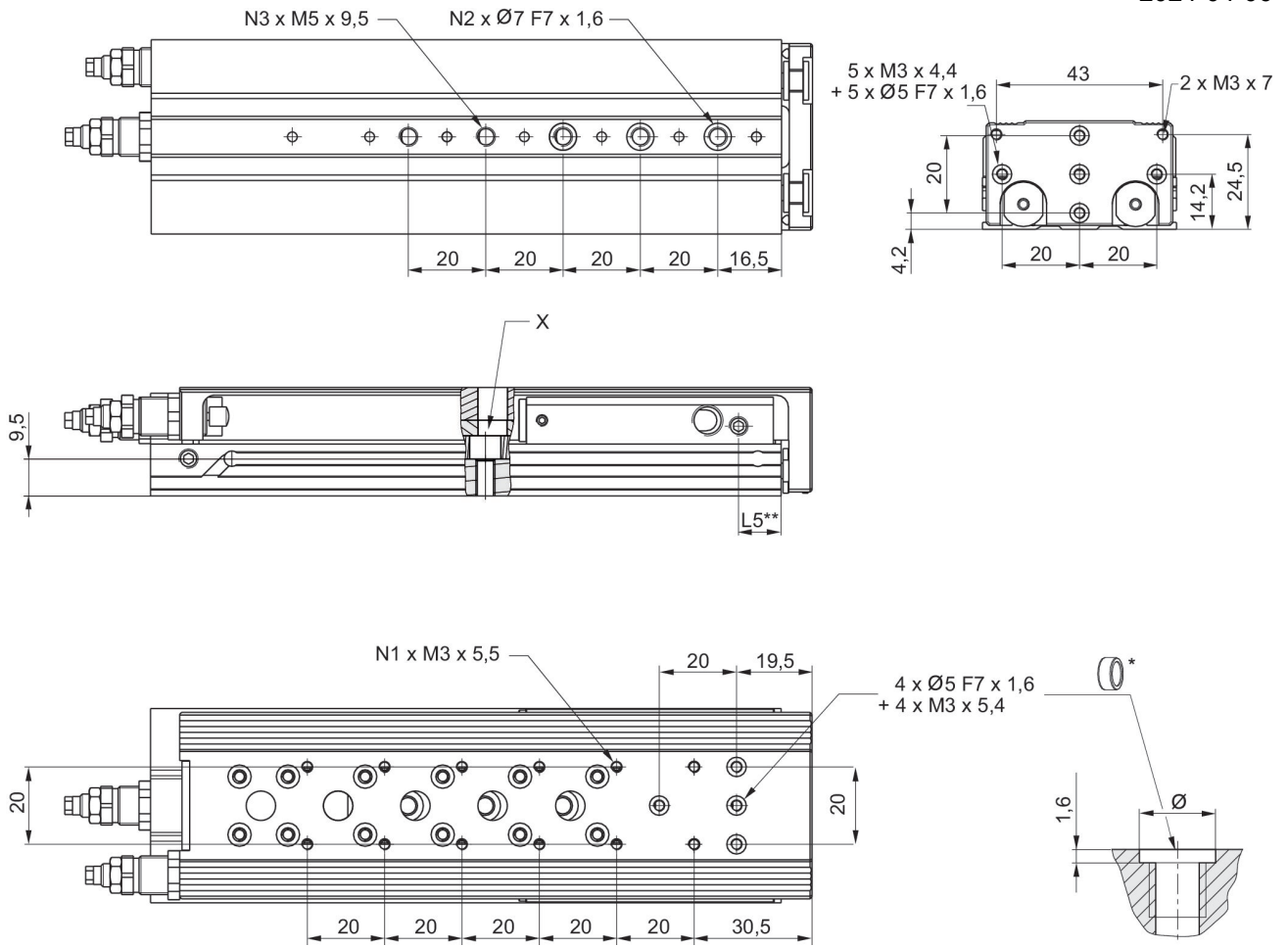
# Mini slide, Series MSC-MG-EE

R480640153

AVENTICS  
Series  
MSC Guide  
cylinders

2024-04-06

## MSC-08



\* = centering rings

\*\*  $\varnothing 8$  has a different reference plane.

| Part No.   | Piston $\varnothing$ | S  | N1 | N2 | N3 | L5 | X  |
|------------|----------------------|----|----|----|----|----|----|
| R480640120 | 8                    | 10 | 4  | 2  | 2  | 11 |    |
| R480640121 | 8                    | 20 | 4  | 2  | 2  | 11 |    |
| R480640122 | 8                    | 30 | 4  | 2  | 2  | 11 |    |
| R480640123 | 8                    | 40 | 4  | 2  | 2  | 11 |    |
| R480640124 | 8                    | 50 | 4  | 3  | 3  | 11 | 1) |
| R480640125 | 8                    | 80 | 8  | 3  | 5  | 11 |    |

S = stroke

1) Access to the through hole only after removal of the stroke limitation bolts

# Mini slide, Series MSC-MG-EE

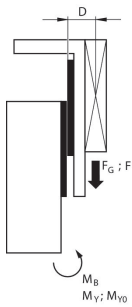
R480640153

AVENTICS  
Series  
MSC Guide  
cylinders

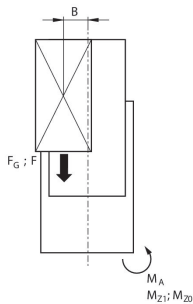
2024-04-06

## Correction factor (a, d)

vertical



|       |                              |
|-------|------------------------------|
| stat. | $M_{B0} = (F_G + F) \cdot D$ |
| dyn.  | $M_B = F_G \cdot D$          |



|       |                              |
|-------|------------------------------|
| stat. | $M_{A0} = (F_G + F) \cdot B$ |
| dyn.  | $M_A = F_G \cdot B$          |

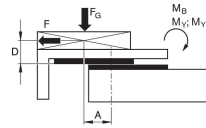
|       |  |
|-------|--|
| dyn.  | $\frac{M_A}{M_1} + \frac{M_B}{M_2} \leq 1$             |
| stat. | $\frac{M_{A0}}{M_{Z0}} + \frac{M_{B0}}{M_{Y0}} \leq 1$ |

$F = m \cdot a$   $F_G = m \cdot g$   $a = 1250 \cdot V^2 / H$

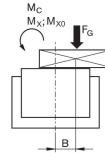
F = deceleration force [N]  $F_G$  = force due to weight [N] m = load mass [kg] a = deceleration [m/s<sup>2</sup>] g = gravitational acceleration 9,81 [m/s<sup>2</sup>] V = velocity [m/s] H = stroke length of shock absorber [mm]

## Correction factor (a, d)

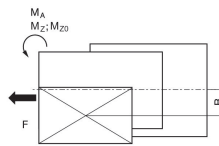
horizontal



|       |                                    |
|-------|------------------------------------|
| stat. | $M_{B0} = F_G \cdot A + F \cdot D$ |
| dyn.  | $M_B = F_G \cdot A$                |



|       |                        |
|-------|------------------------|
| stat. | $M_{C0} = F_G \cdot B$ |
| dyn.  | $M_C = F_G \cdot B$    |



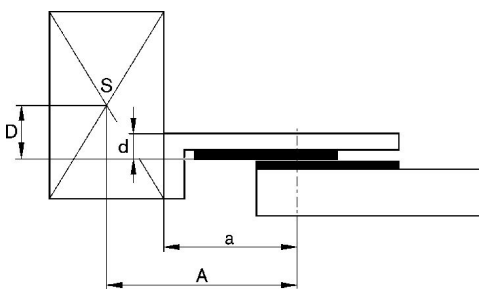
|       |                      |
|-------|----------------------|
| stat. | $M_{A0} = F \cdot B$ |
| dyn.  | $M_A = 0$            |

|       |  |
|-------|--|
| dyn.  | $\frac{M_A}{M_1} + \frac{M_B}{M_2} + \frac{M_C}{M_3} \leq 1$                   |
| stat. | $\frac{M_{A0}}{M_{Z0}} + \frac{M_{B0}}{M_{Y0}} + \frac{M_{C0}}{M_{X0}} \leq 1$ |

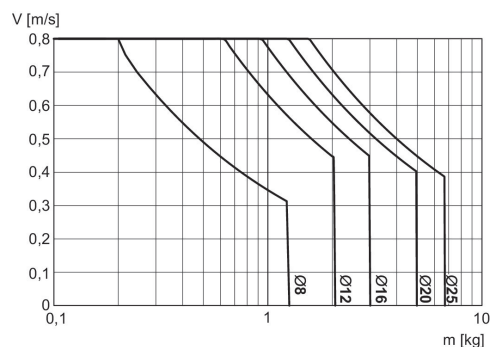
$F = m \cdot a$   $F_G = m \cdot g$   $a = 1250 \cdot V^2 / H$

F = deceleration force [N]  $F_G$  = force due to weight [N] m = load mass [kg] a = deceleration [m/s<sup>2</sup>] g = gravitational acceleration 9,81 [m/s<sup>2</sup>] V = velocity [m/s] H = stroke length of shock absorber [mm]

## Correction factor (a, d)



## Maximum moving mass



V = velocity [m/s]  
m = mass

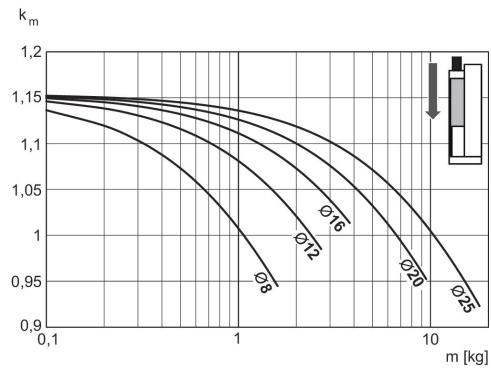
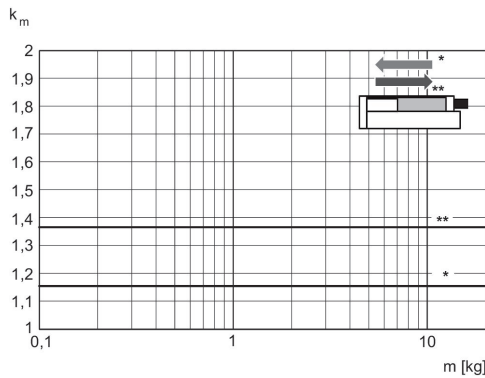
# Mini slide, Series MSC-MG-EE

R480640153

AVENTICS  
Series  
MSC Guide  
cylinders  
2024-04-06

Correction factor for required speed:  
retracting and extending, horizontal

Correction factor for required speed:  
extending, vertical, downwards

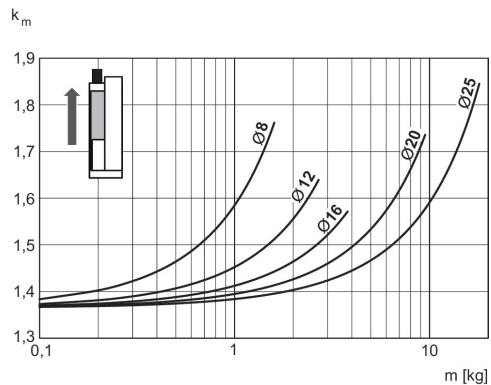
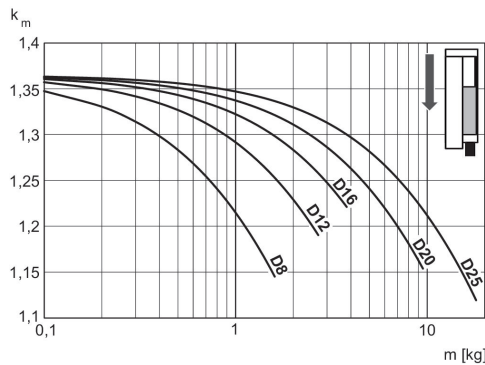


\* retracting  
\*\* extracting  
 $V = s/1000 \cdot t \cdot km$   
V = velocity [m/s]  
S = stroke

$V = s/1000 \cdot t \cdot km$   
V = velocity [m/s]  
S = stroke [mm]  
t = time [s] for one stroke  
m = mass

Correction factor for required speed:  
retracting, vertical, downwards

Correction factor for required speed:  
retracting, vertical, upwards



$V = s/1000 \cdot t \cdot km$   
V = velocity [m/s]  
S = stroke [mm]  
t = time [s] for one stroke  
m = mass

$V = s/1000 \cdot t \cdot km$   
V = velocity [m/s]  
S = stroke [mm]  
t = time [s] for one stroke  
m = mass

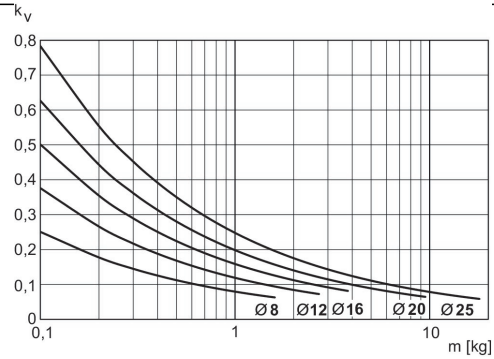
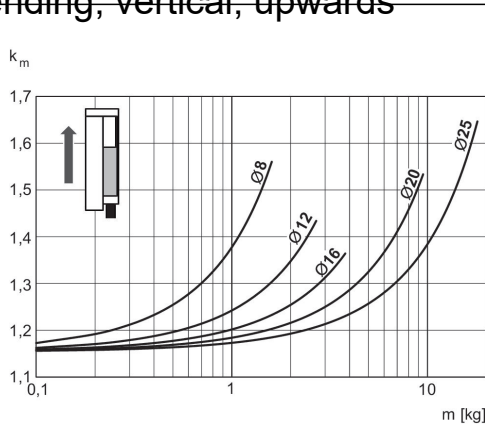
# Mini slide, Series MSC-MG-EE

R480640153

AVENTICS  
Series  
MSC Guide  
cylinders

2024-04-06

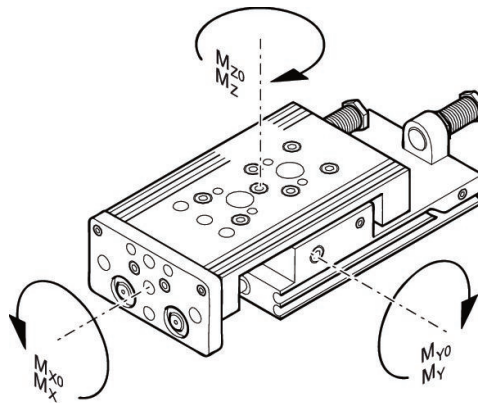
Correction factor for required speed: **Max. extracting speed**  
extending, vertical, upwards



$V = \sqrt{s \cdot kv}$   
V = velocity [m/s]  
S = stroke [mm]  
m = mass

$V = s/1000 \cdot t \cdot km$   
V = velocity [m/s]  
S = stroke [mm]  
t = time [s] for one stroke  
m = mass

## Load capacity



M = max. permissible torque

## Correction factor (a)

| Part No.   | Piston Ø | Stroke | a [mm] 1) | d [mm] 2) | Mx0 Static moment M [Nm] | My0 Static moment M [Nm] | Mz0 Static moment M [Nm] | Mx Dynamic moment M [Nm] | My Dynamic moment M [Nm] |
|------------|----------|--------|-----------|-----------|--------------------------|--------------------------|--------------------------|--------------------------|--------------------------|
| R480640120 | 8        | 10     | 69.5      | 12        | 5.8                      | 5.9                      | 5.9                      | 1.1                      | 1.7                      |
| R480640121 | 8        | 20     | 69.5      | 12        | 5.8                      | 5.9                      | 5.9                      | 1.1                      | 1.7                      |
| R480640122 | 8        | 30     | 69.5      | 12        | 5.8                      | 5.9                      | 5.9                      | 1.1                      | 1.7                      |
| R480640123 | 8        | 40     | 69.5      | 12        | 5.8                      | 5.9                      | 5.9                      | 1.1                      | 1.7                      |
| R480640124 | 8        | 50     | 83        | 12        | 5.8                      | 5.9                      | 5.9                      | 1.3                      | 1.7                      |
| R480640125 | 8        | 80     | 121       | 12        | 8                        | 14.6                     | 14.6                     | 1.3                      | 3.7                      |
| R480640126 | 12       | 10     | 77        | 15        | 13.8                     | 6.45                     | 6.45                     | 3.5                      | 1.6                      |
| R480640127 | 12       | 20     | 77        | 15        | 13.8                     | 6.45                     | 6.45                     | 3.5                      | 1.6                      |
| R480640128 | 12       | 30     | 77        | 15        | 13.8                     | 6.45                     | 6.45                     | 3.5                      | 1.6                      |
| R480640129 | 12       | 40     | 77        | 15        | 13.8                     | 6.45                     | 6.45                     | 3.5                      | 1.6                      |
| R480640130 | 12       | 50     | 81        | 15        | 13.8                     | 6.45                     | 6.45                     | 3.5                      | 1.6                      |

# Mini slide, Series MSC-MG-EE

R480640153

AVENTICS  
Series  
MSC Guide  
cylinders

| Part No.   | Piston Ø | Stroke | a [mm] 1) | d [mm] 2) | Mx0 Static moment M [Nm] | My0 Static moment M [Nm] | Mz0 Static moment M [Nm] | Mx Dynamic moment M [Nm] | My Dynamic moment M [Nm] |
|------------|----------|--------|-----------|-----------|--------------------------|--------------------------|--------------------------|--------------------------|--------------------------|
| R480640131 | 12       | 80     | 117       | 15        | 17.3                     | 15.6                     | 15.6                     | 5.2                      | 3.5                      |
| R480640132 | 12       | 100    | 137       | 15        | 17.3                     | 15.6                     | 15.6                     | 5.2                      | 3.5                      |
| R480640133 | 16       | 10     | 65        | 15        | 31.6                     | 11.95                    | 11.95                    | 6.5                      | 3.2                      |
| R480640134 | 16       | 20     | 65        | 15        | 31.6                     | 11.95                    | 11.95                    | 6.5                      | 3.2                      |
| R480640135 | 16       | 30     | 65        | 15        | 31.6                     | 11.95                    | 11.95                    | 6.5                      | 3.2                      |
| R480640136 | 16       | 40     | 75        | 15        | 31.6                     | 11.95                    | 11.95                    | 6.5                      | 3.2                      |
| R480640137 | 16       | 50     | 86        | 15        | 31.6                     | 11.95                    | 11.95                    | 7                        | 3.2                      |
| R480640138 | 16       | 80     | 123       | 15        | 45                       | 27.3                     | 27.3                     | 8.7                      | 6.3                      |
| R480640139 | 16       | 100    | 144       | 15        | 45                       | 27.3                     | 27.3                     | 8.7                      | 6.3                      |
| R480640140 | 20       | 10     | 75        | 20        | 31.6                     | 11.95                    | 11.95                    | 9.6                      | 4                        |
| R480640141 | 20       | 20     | 75        | 20        | 31.6                     | 11.95                    | 11.95                    | 9.6                      | 4                        |
| R480640142 | 20       | 30     | 75        | 20        | 31.6                     | 11.95                    | 11.95                    | 9.6                      | 4                        |
| R480640143 | 20       | 40     | 75        | 20        | 31.6                     | 11.95                    | 11.95                    | 9.6                      | 4                        |
| R480640144 | 20       | 50     | 92        | 20        | 31.6                     | 11.95                    | 11.95                    | 10                       | 4                        |
| R480640145 | 20       | 80     | 125       | 20        | 45                       | 27.3                     | 27.3                     | 11.7                     | 8                        |
| R480640146 | 20       | 100    | 143       | 20        | 45                       | 27.3                     | 27.3                     | 11.7                     | 8                        |
| R480640147 | 25       | 10     | 85        | 24        | 87                       | 24.5                     | 24.5                     | 22.9                     | 6.6                      |
| R480640148 | 25       | 20     | 85        | 24        | 87                       | 24.5                     | 24.5                     | 22.9                     | 6.6                      |
| R480640149 | 25       | 30     | 85        | 24        | 87                       | 24.5                     | 24.5                     | 22.9                     | 6.6                      |
| R480640150 | 25       | 40     | 85        | 24        | 87                       | 24.5                     | 24.5                     | 22.9                     | 6.6                      |
| R480640151 | 25       | 50     | 102       | 24        | 87                       | 24.5                     | 24.5                     | 15.3                     | 6.6                      |
| R480640152 | 25       | 80     | 134       | 24        | 110                      | 62.5                     | 62.5                     | 18.8                     | 14.5                     |
| R480640153 | 25       | 100    | 152       | 24        | 110                      | 62.5                     | 62.5                     | 18.8                     | 14.5                     |

| Part No.   | Mz Dynamic moment M [Nm] |
|------------|--------------------------|
| R480640120 | 1.7                      |
| R480640121 | 1.7                      |
| R480640122 | 1.7                      |
| R480640123 | 1.7                      |
| R480640124 | 1.7                      |
| R480640125 | 3.7                      |
| R480640126 | 1.6                      |
| R480640127 | 1.6                      |
| R480640128 | 1.6                      |
| R480640129 | 1.6                      |
| R480640130 | 1.6                      |
| R480640131 | 3.5                      |
| R480640132 | 3.5                      |
| R480640133 | 3.2                      |
| R480640134 | 3.2                      |
| R480640135 | 3.2                      |
| R480640136 | 3.2                      |
| R480640137 | 3.2                      |
| R480640138 | 6.3                      |

# Mini slide, Series MSC-MG-EE

R480640153

AVENTICS  
Series  
MSC Guide  
cylinders

2024-04-06

| Part No.   | Mz Dynamic moment M [Nm] |
|------------|--------------------------|
| R480640139 | 6.3                      |
| R480640140 | 4                        |
| R480640141 | 4                        |
| R480640142 | 4                        |
| R480640143 | 4                        |
| R480640144 | 4                        |
| R480640145 | 8                        |
| R480640146 | 8                        |
| R480640147 | 6.6                      |
| R480640148 | 6.6                      |
| R480640149 | 6.6                      |
| R480640150 | 6.6                      |
| R480640151 | 6.6                      |
| R480640152 | 14.6                     |
| R480640153 | 14.6                     |

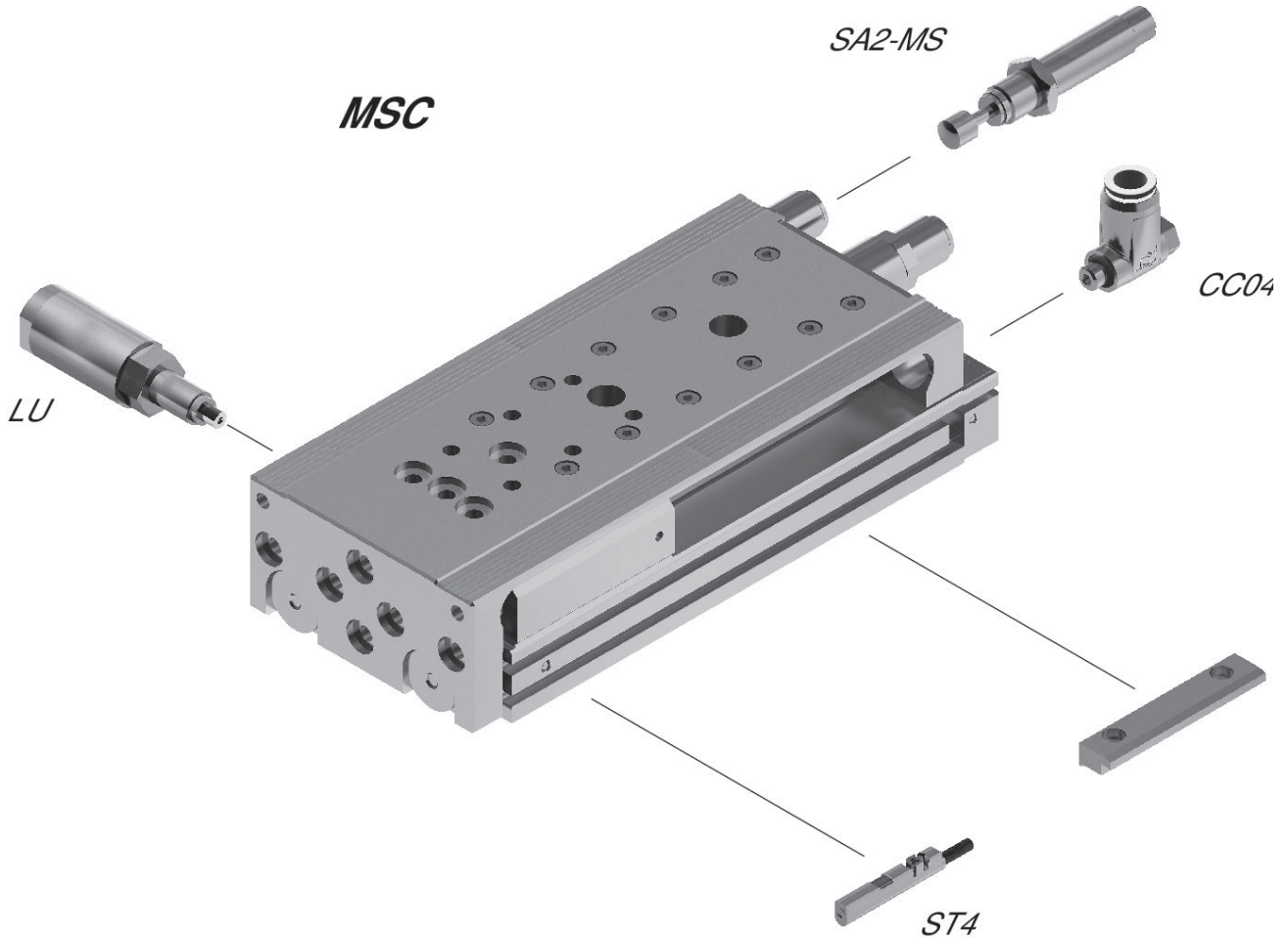
# Mini slide, Series MSC-MG-EE

R480640153

AVENTICS  
Series  
MSC Guide  
cylinders

2024-04-06

## Overview drawing



NOTE: This overview drawing is only for orientation to indicate where the various accessory parts can be fastened to the cylinder. The illustration has been simplified for this purpose. It is thus not possible to derive the dimensions from this overview.

## Weight of moving parts [kg]

| Piston Ø | S=10  | S=20  | S=30  | S=40  | S=50  | S=80  | S=100 | S=125 | S=150 |
|----------|-------|-------|-------|-------|-------|-------|-------|-------|-------|
| 8        | 0.165 | 0.165 | 0.165 | 0.165 | 0.195 | 0.265 | –     | –     | –     |
| 12       | 0.28  | 0.28  | 0.28  | 0.28  | 0.315 | 0.403 | 0.46  | –     | –     |
| 16       | 0.375 | 0.375 | 0.375 | 0.4   | 0.45  | 0.615 | 0.65  | 0.725 | 0.765 |
| 20       | 0.655 | 0.655 | 0.655 | 0.69  | 0.765 | 0.985 | 1.035 | 1.2   | 1.29  |
| 25       | 1.1   | 1.1   | 1.1   | 1.1   | 1.225 | 1.45  | 1.625 | 1.885 | 2.085 |

| Piston Ø | S=200 |
|----------|-------|
| 8        | –     |
| 12       | –     |
| 16       | –     |
| 20       | 1.54  |
| 25       | 2.445 |

S = stroke