

# Mini slide, Series MSC-HG-EE

R412019030

AVENTICS  
Series  
MSC Guide  
cylinders

2024-04-06

## AVENTICS Series MSC Guide cylinders

The AVENTICS Series MSC mini slides have a compact design, require minimal installation space and can be optimally configured for virtually any automated handling task. A wide range of configuration options make the mini slide a truly universal handling component. Precise and reliable operation, coupled with a custom configuration and tailored to the specific application – these attributes allow the mini slides to assume the actuator role in efficient handling. The Series MSC offers high torque absorption and maximum stability. In addition, it provides technical features that guarantee optimally adjusted functions and maintenance-friendly processes. Fast, secure and efficiently connected with the special Easy-2-Combine Interface, the mini slides can be combined with the other components of a handling system without additional mounting plates.



## Technical data

Industry	Industrial
Piston Ø	25 mm
Stroke	125 mm
Functional principle	Double-acting
Easy2Combine	capable
double piston	with double piston
Port	G 1/8
Cushioning	elastic
Min. working pressure	1 bar
Max. working pressure	10 bar
Min. ambient temperature	0 °C
Max. ambient temperature	60 °C
Medium	Compressed air
Retracting piston force, theoretical	520 N
Extracting piston force, theoretical	619 N
Max. speed	0.8 m/s
Cushioning length	1.6 mm
Cushioning energy	0.5 J
Min. oil content of compressed air	0 mg/m <sup>3</sup>

# Mini slide, Series MSC-HG-EE

R412019030

AVENTICS  
Series  
MSC Guide  
cylinders

2024-04-06

Max. oil content of compressed air	1 mg/m <sup>3</sup>
Max. particle size	5 µm
Pressure for determining piston forces with integrated ball rail guide	6,3 bar With integrated "High Performance" ball rail system
Weight	4.75 kg

## Material

Housing material	Aluminum
Surface housing	anodized
Material piston rod	Stainless Steel
Material front plate	Aluminum
Surface front plate	anodized
Seal material	Polyurethane
Material ball rail table	Aluminum
Surface ball rail table	anodized
Material guide rail	Steel, chrome-plated
Surface guide rail	hardened
Material centering rings	Stainless Steel
Part No.	R412019030

## Technical information

Repetitive precision after 100 consecutive strokes: 0,3 mm

Base with air connections at the back and sides

Intermediate strokes can be configured.

Scope of delivery: incl. centering rings

R1 = stroke setting range for forward stroke

R2 = stroke setting range for return stroke

Ø 8 has a different reference plane.

The pressure dew point must be at least 15 °C less than ambient and medium temperature and may not exceed 3 °C.

The oil content of compressed air must remain constant during the life cycle.

Use only the approved oils from AVENTICS. Further information can be found in the "Technical information" document (available in <https://www.emerson.com/en-us/support>).

# Mini slide, Series MSC-HG-EE

R412019030

AVENTICS  
Series  
MSC Guide  
cylinders

2024-04-06

## Dimensions



R\*: base with air connections only at the back  
S\*: base with air connections at the back and sides  
\*\* Ø 8 has a different reference plane.

## Dimensions

Piston Ø	Ø D1	Ø D2	H1	H2	H3	H4-R	H4-S	H5	H6-R
8	M5	M10x1	28	9.6	20.5	-	7.5	19.5	-
12	M5	M12x1	34	5.7	25	11.2	11.2	24.5	5.7
16	M5	M12x1	40	7.2	29	12.2	12.2	31	7.7
20	G 1/8	M16x1,5	50	11.2	37.5	17.3	17.3	38.2	11.7
25	G 1/8	M18x1,5	60	14.2	44	15.5	22.9	46.5	13.2

Piston Ø	H6-S	H7	H8	H9	H10	L3 max.	L4	L5 2)	L6
8	5.5	18	-	-	-	16	9.8	-	1.9
12	5.7	8.3	-	-	-	20.2	7.2	22.5	2
16	7.7	11.2	-	-	-	18.4	6.5	17.7	2
20	12.2	11.7	5.5	4.2	1	27.9	8	30	2.1
25	21.7	16.2	6.9	5.2	1.5	29.2	9	31	2.1

Piston Ø	L7	R2 max.	W1	W2-R	W2-S	W3-R	W3-S	W4	W5
8	6	9.1	50.2	-	19.3	-	30.5	18	W1/2
12	8	14	66	28.8	28.8	53	53	24.5	W1/2

# Mini slide, Series MSC-HG-EE

R412019030

AVENTICS  
Series  
MSC Guide  
cylinders

Piston Ø	L7	R2 max.	W1	W2-R	W2-S	W3-R	W3-S	W4	W5
16	10	12.4	76	31	31	60.5	60.5	30	W1/2
20	10	19.9	92	10	21	74	74	35	W1/2
25	12	22.2	112	11	14	92	92	44	W1/2

Piston Ø	W6	W7
8	-	-
12	-	-
16	-	-
20	2	4
25	2.5	4.8

## Stroke-dependent dimensions

Piston Ø	S=10 EB	S=20 EB	S=30 EB	S=40 EB	S=50 EB	S=80 EB	S=100 EB	S=125 EB	S=150 EB
8	12	2	2	2	2	2	-	-	-
12	22	12	2	2	2	2	2	-	-
16	22	12	2	2	2	2	2	2	2
20	22	12	2	2	2	2	2	2	2
25	22	12	2	2	2	2	2	2	2

Piston Ø	S=200 EB	S=10 L1-R	S=20 L1-R	S=30 L1-R	S=40 L1-R	S=50 L1-R	S=80 L1-R	S=100 L1-R	S=125 L1-R
8	-	-	-	-	-	-	-	-	-
12	-	101	101	101	111	126	172	192	-
16	-	103.5	103.5	103.5	113.5	128.5	174.5	194.5	283
20	2	115	115	115	125	140	185	205	289.5
25	2	128.5	128.5	128.5	138.5	151.5	197.5	217.5	294.5

Piston Ø	S=150 L1-R	S=200 L1-R	S=10 L1-S	S=20 L1-S	S=30 L1-S	S=40 L1-S	S=50 L1-S	S=80 L1-S	S=100 L1-S
8	-	-	81.7	81.7	91.7	101.7	121.7	171.7	-
12	-	-	117.9	117.9	117.9	127.9	142.9	188.9	208.9
16	308	-	114.4	114.4	114.4	124.4	139.4	185.4	205.4
20	329.5	404.5	139.9	139.9	139.9	149.9	164.9	209.9	229.9
25	334.5	409.5	152.2	152.2	152.2	162.2	175.2	221.2	241.2

Piston Ø	S=125 L1-S	S=150 L1-S	S=200 L1-S	S=10 L2	S=20 L2	S=30 L2	S=40 L2	S=50 L2	S=80 L2
8	-	-	-	73.5	73.5	83.5	93.5	113.5	163.5
12	-	-	-	88.8	88.8	88.8	98.8	113.8	159.8
16	293.9	318.9	-	90.4	90.4	90.4	100.4	115.4	161.4
20	314.4	354.4	429.4	100.5	100.5	100.5	110.5	125.5	170.5
25	318.2	358.2	433.2	111.5	111.5	111.5	121.5	134.5	180.5

Piston Ø	S=100 L2	S=125 L2	S=150 L2	S=200 L2	S=10 R1 max.	S=20 R1 max.	S=30 R1 max.	S=40 R1 max.	S=50 R1 max.
8	-	-	-	-	9.2	9.2	9.2	9.2	9.2
12	179.8	-	-	-	7.7	7.7	7.7	7.7	7.7
16	181.4	269.9	294.9	-	10.7	10.7	10.7	10.7	10.7
20	190.5	275	315	390	18.4	18.4	18.4	18.4	18.4

# Mini slide, Series MSC-HG-EE

R412019030

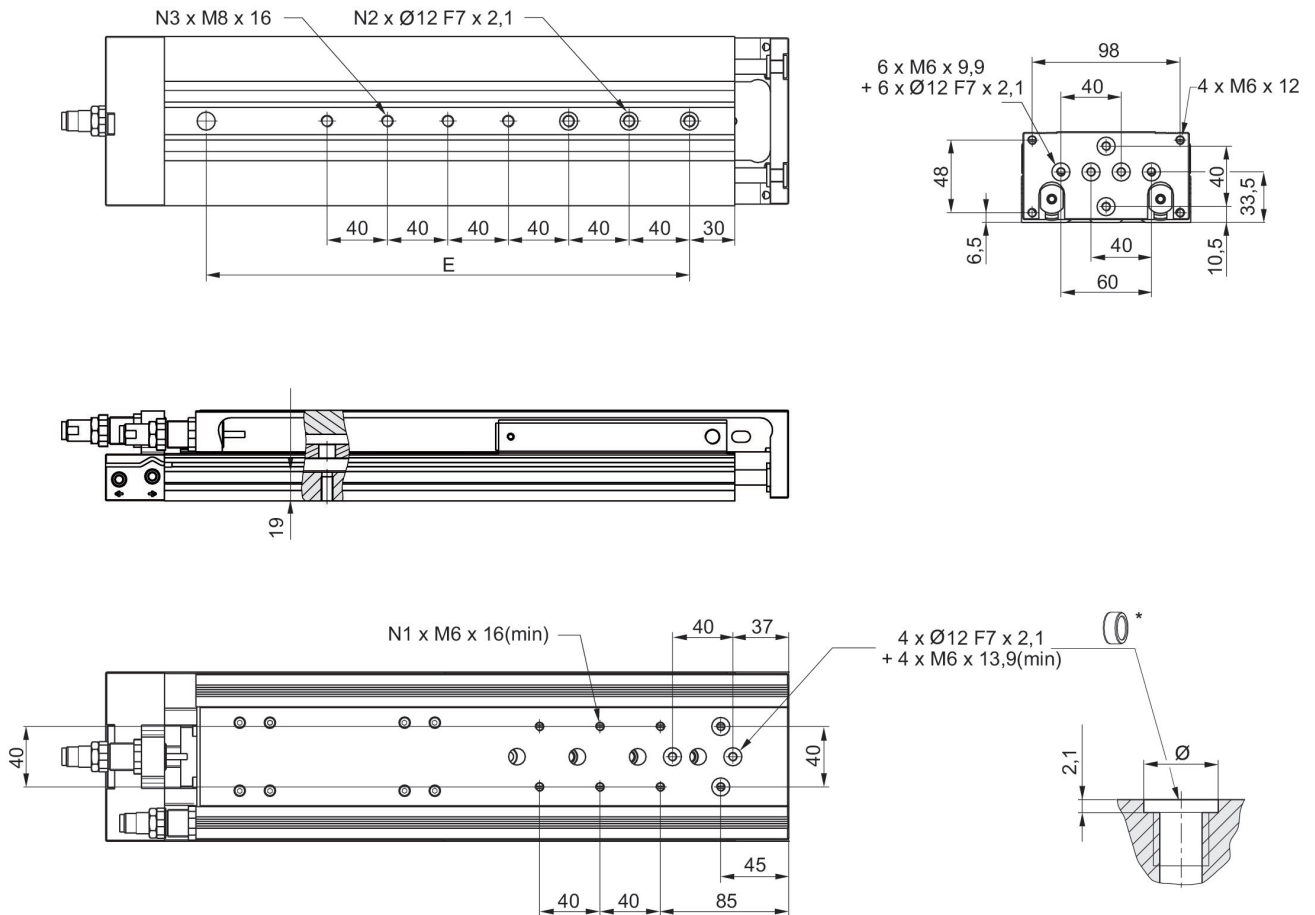
AVENTICS  
Series  
MSC Guide  
cylinders

Piston Ø	S=100 L2	S=125 L2	S=150 L2	S=200 L2	S=10 R1 max.	S=20 R1 max.	S=30 R1 max.	S=40 R1 max.	S=50 R1 max.
25	200.5	277.5	317.5	392.5	17.5	17.5	17.5	17.5	17.5

2024-04-06

Piston Ø	S=80 R1 max.	S=100 R1 max.	S=125 R1 max.	S=150 R1 max.	S=200 R1 max.
8	9.2	-	-	-	-
12	7.7	7.7	-	-	-
16	10.7	10.7	10.7	10.7	-
20	18.4	18.4	18.4	18.4	18.4
25	17.5	17.5	17.5	17.5	17.5

## Dimensions MSC-25



\* = centering rings

Part No.	Piston Ø	Stroke	E	N1	N2	N3
R412019030	25	125	200	4	4	5
R480643827	25	125	200	4	4	5
R412019041	25	125	200	4	4	5

# Mini slide, Series MSC-HG-EE

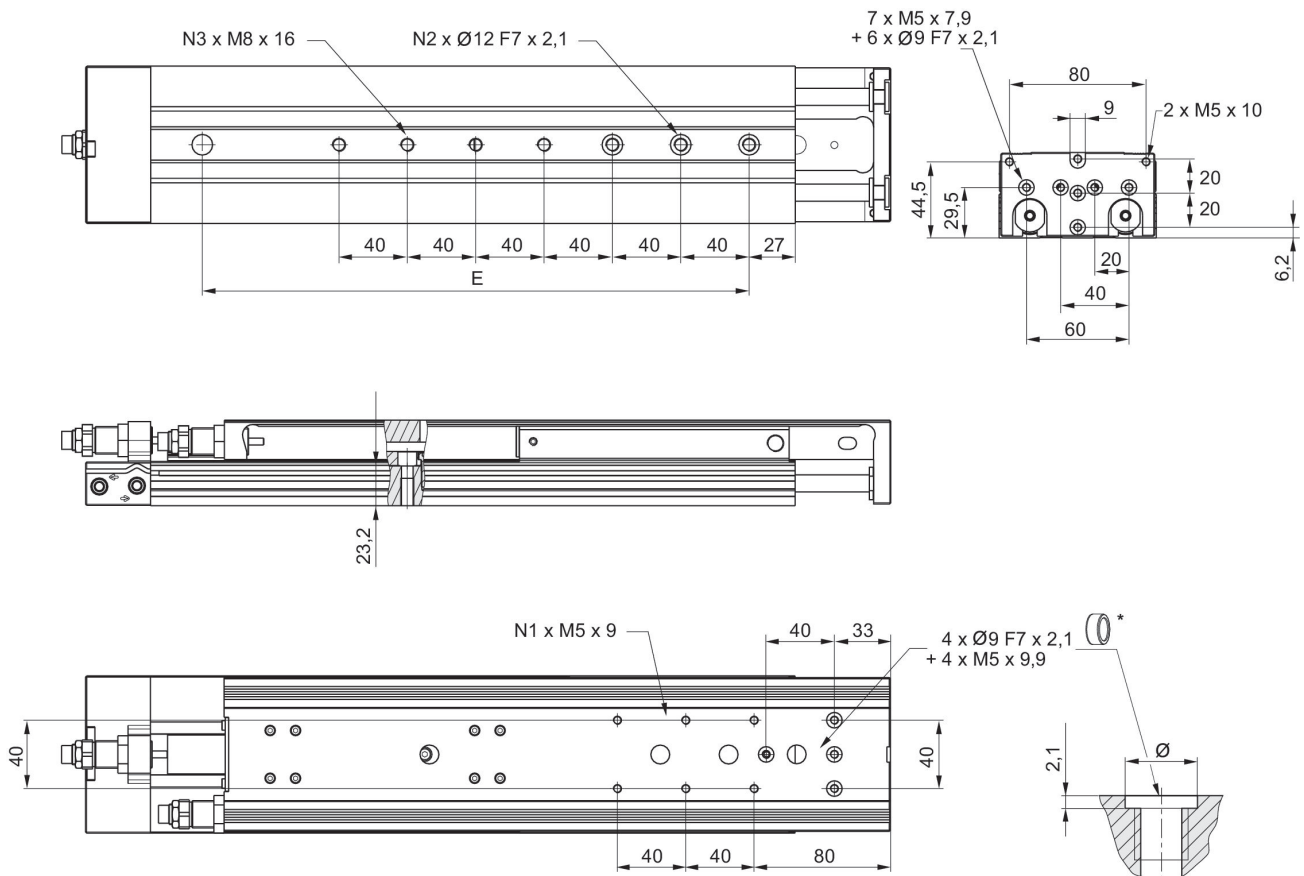
R412019030

AVENTICS  
Series  
MSC Guide  
cylinders

2024-04-06

Part No.	Piston Ø	Stroke	E	N1	N2	N3
R480640211	25	125	200	4	4	5
R412019031	25	150	240	6	4	5
R480643828	25	150	240	6	4	5
R412019042	25	150	240	6	4	5
R480640212	25	150	240	6	4 <td 5	
R412019032	25	200	320	6	4	7
R480643829	25	200	320	6	4	7
R412019043	25	200	320	6	4	7
R480640213	25	200	320	6	4	7

## Dimensions MSC-20



\* = centering rings

Part No.	Piston Ø	Stroke	E	N1	N2	N3
R412018917	20	125	200	6	4	5
R480643817	20	125	200	6	4	5
R412019005	20	125	200	6	4	5
R480640205	20	125	200	6	4	5

# Mini slide, Series MSC-HG-EE

R412019030

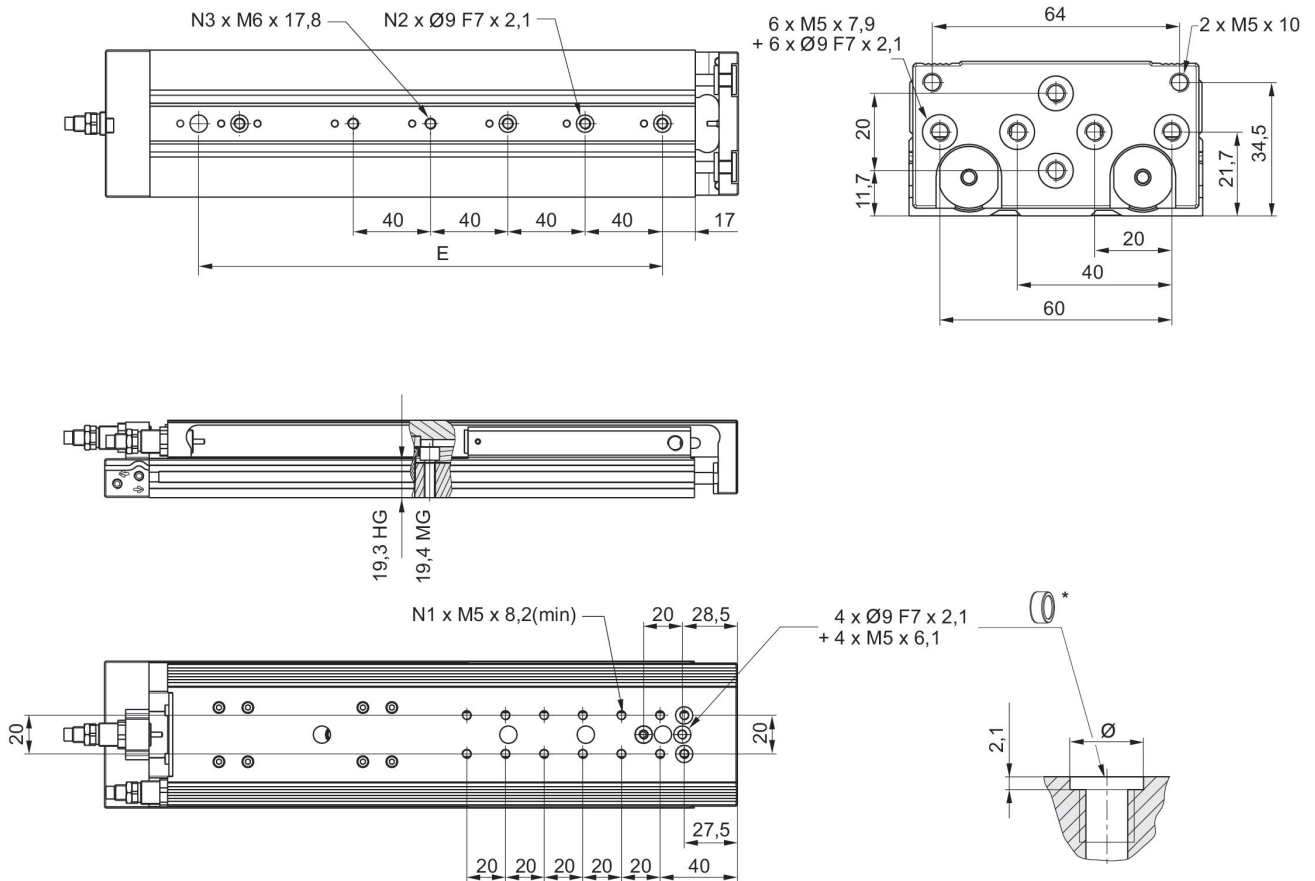
AVENTICS  
Series  
MSC Guide  
cylinders

2024-04-06

Part No.	Piston Ø	Stroke	E	N1	N2	N3
R412018918	20	150	240	6	4	5
R480643818	20	150	240	6	4	5
R412019006	20	150	240	6	4	5
R480640206	20	150	240	6	4	5
R412018919	20	200	320	6	4	7
R480643819	20	200	320	6	4	7
R412019007	20	200	320	6	4	7
R480640207	20	200	320	6	4	7

## Dimensions

### MSC-16



\* = centering rings

Part No.	Piston Ø	Stroke	E	N1	N2	N3
R412019175	16	125	200	12	4	5
R480643808	16	125	200	12	4	5
R412019188	16	125	200	12	4	5
R480640200	16	125	200	12	4	5

# Mini slide, Series MSC-HG-EE

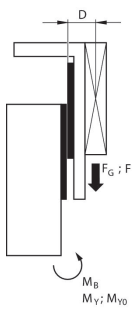
R412019030

AVENTICS  
Series  
MSC Guide  
cylinders

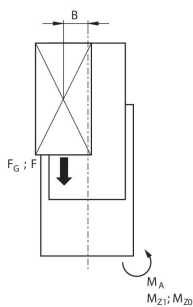
2024-04-06

Part No.	Piston Ø	Stroke	E	N1	N2	N3
R412019176	16	150	240	12	4	5
R480643809	16	150	240	12	4	5
R412019189	16	150	240	12	4	5
R480640201	16	150	240	12	4	5

## Correction factor (a, d) vertical



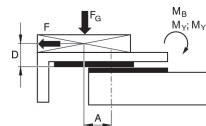
stat.	$M_{B0} = (F_G + F) \cdot D$
dyn.	$M_B = F_G \cdot D$



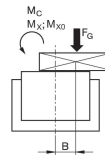
stat.	$M_{A0} = (F_G + F) \cdot B$
dyn.	$M_A = F_G \cdot B$

dyn.	$\frac{M_A}{M_1} + \frac{M_B}{M_2} \leq 1$
stat.	$\frac{M_{A0}}{M_{Z0}} + \frac{M_{B0}}{M_{Y0}} \leq 1$

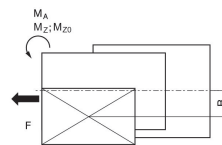
## Correction factor (a, d) horizontal



stat.	$M_{B0} = F_G \cdot A + F \cdot D$
dyn.	$M_B = F_G \cdot A$



stat.	$M_{C0} = F_G \cdot B$
dyn.	$M_C = F_G \cdot B$



stat.	$M_{A0} = F \cdot B$
dyn.	$M_A = 0$

dyn.	$\frac{M_A}{M_1} + \frac{M_B}{M_2} + \frac{M_C}{M_3} \leq 1$
stat.	$\frac{M_{A0}}{M_{Z0}} + \frac{M_{B0}}{M_{Y0}} + \frac{M_{C0}}{M_{X0}} \leq 1$

$F = m \cdot a$   $F_G = m \cdot g$   $a = 1250 \cdot V^2 / H$

F = deceleration force [N]  $F_G$  = force due to weight [N] m = load mass [kg] a = deceleration [ $m/s^2$ ] g = gravitational acceleration 9,81 [ $m/s^2$ ] V = velocity [m/s] H = stroke length of shock absorber [mm]

$F = m \cdot a$   $F_G = m \cdot g$   $a = 1250 \cdot V^2 / H$

F = deceleration force [N]  $F_G$  = force due to weight [N] m = load mass [kg] a = deceleration [ $m/s^2$ ] g = gravitational acceleration 9,81 [ $m/s^2$ ] V = velocity [m/s] H = stroke length of shock absorber [mm]



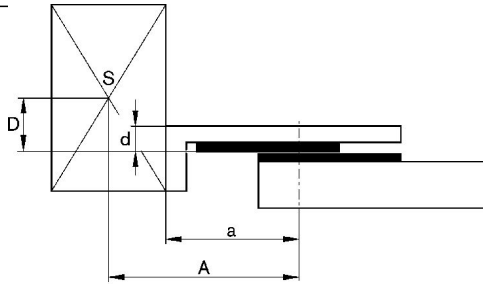
# Mini slide, Series MSC-HG-EE

R412019030

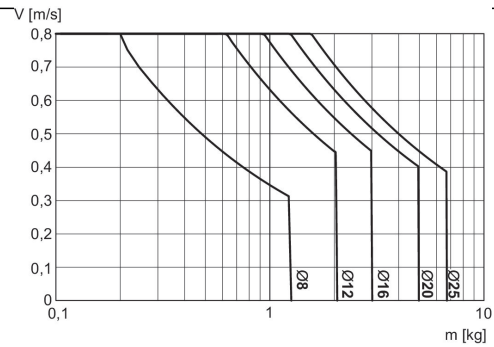
AVENTICS  
Series  
MSC Guide  
cylinders

2024-04-06

## Correction factor (a, d)

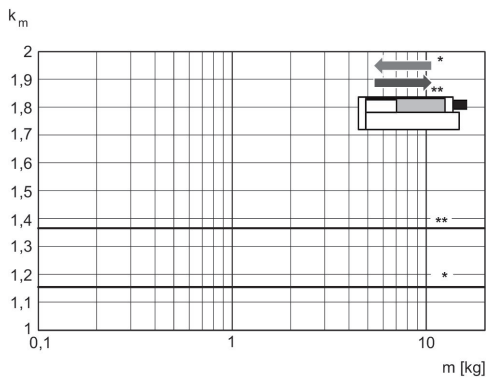


## Maximum moving mass



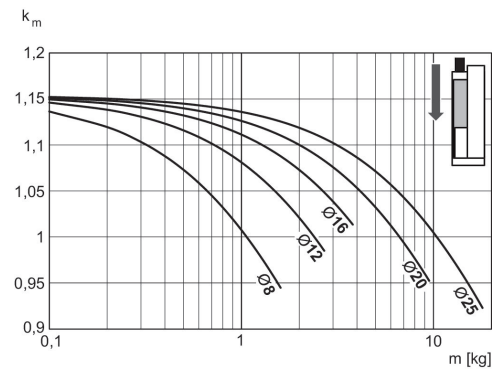
V = velocity [m/s]  
m = mass

## Correction factor for required speed: retracting and extending, horizontal



\* retracting  
\*\* extracting  
 $V = s/1000 \cdot t \cdot km$   
V = velocity [m/s]  
S = stroke

## Correction factor for required speed: extending, vertical, downwards



$V = s/1000 \cdot t \cdot km$   
V = velocity [m/s]  
S = stroke [mm]  
t = time [s] for one stroke  
m = mass

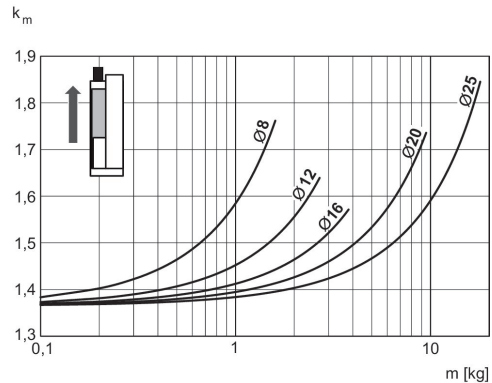
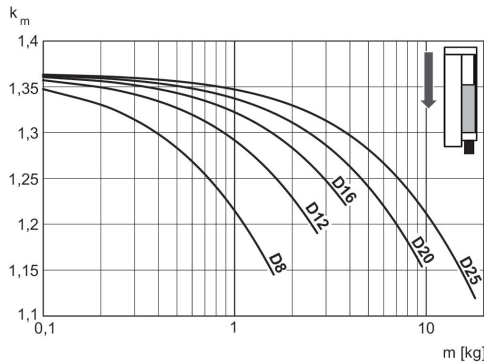
# Mini slide, Series MSC-HG-EE

R412019030

AVENTICS  
Series  
MSC Guide  
cylinders  
2024-04-06

Correction factor for required speed:  
retracting, vertical, downwards

Correction factor for required speed:  
retracting, vertical, upwards

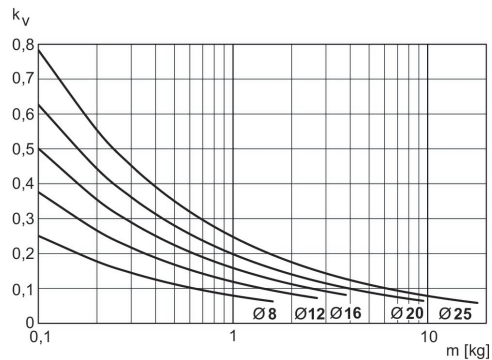
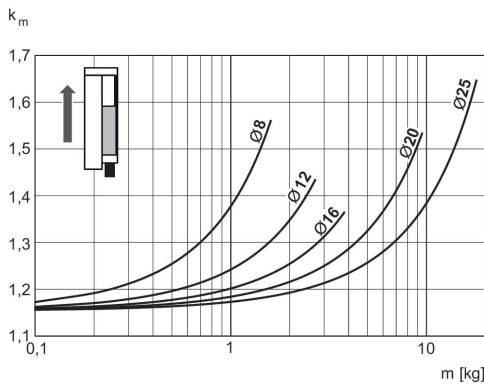


$V = s/1000 \cdot t \cdot k_m$   
V = velocity [m/s]  
S = stroke [mm]  
t = time [s] for one stroke  
m = mass

$V = s/1000 \cdot t \cdot k_m$   
V = velocity [m/s]  
S = stroke [mm]  
t = time [s] for one stroke  
m = mass

Correction factor for required speed:  
extending, vertical, upwards

Max. extracting speed



$V = s/1000 \cdot t \cdot k_m$   
V = velocity [m/s]  
S = stroke [mm]  
t = time [s] for one stroke  
m = mass

$V = \sqrt{s \cdot k_v}$   
V = velocity [m/s]  
S = stroke [mm]  
m = mass

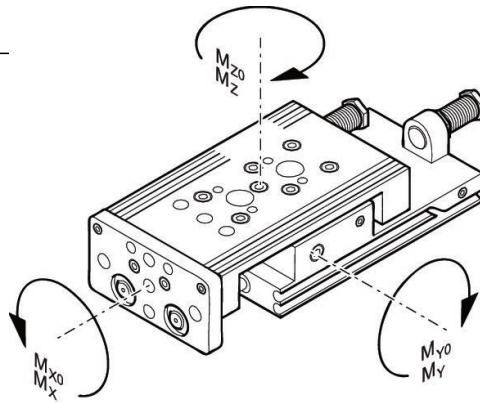
Load capacity

# Mini slide, Series MSC-HG-EE

R412019030

AVENTICS  
Series  
MSC Guide  
cylinders

2024-04-06



M = max. permissible torque

## Correction factor (a)

Part No.	Piston Ø	Stroke	a [mm]	d [mm]	Mx0 Static moment M [Nm]	My0 Static moment M [Nm]	Mz0 Static moment M [Nm]	Mx Dynamic moment M [Nm]	My Dynamic moment M [Nm]
R412019204	8	10	45	14	7	7	7	1.1	1.9
R412019205	8	20	50	14	7	7	7	1.1	1.9
R412019206	8	30	60	14	7	7	7	1.1	1.9
R412019207	8	40	70	14	7	7	7	1.1	1.9
R412019208	8	50	80	14	9	13	13	1.3	2.9
R412019209	8	80	125	14	13	25	25	1.3	3.8
R412019190	12	10	54.5	16	20	14	14	4.2	4.4
R412019191	12	20	59.5	16	20	14	14	4.2	4.4
R412019192	12	30	64.5	16	20	14	14	4.2	4.4
R412019193	12	40	74.5	16	20	14	14	4.2	4.4
R412019194	12	50	84.5	16	23	19	19	4.6	5.6
R412019195	12	80	125	16	33	32	32	5.2	8.2
R412019196	12	100	145	16	33	32	32	5.2	8.2
R412019168	16	10	55.5	15	35	25	25	6.5	6.6
R412019169	16	20	60.5	15	35	25	25	6.5	6.6
R412019170	16	30	65.5	15	35	25	25	6.5	6.6
R412019171	16	40	75.5	15	35	25	25	6.5	6.6
R412019172	16	50	85.5	15	38	29	29	7	7.6
R412019173	16	80	126	15	74	58	58	8.7	12.8
R412019174	16	100	146	15	74	58	58	8.7	12.8
R412019175	16	125	198.5	15	88	118	118	15.2	31.2
R412019176	16	150	223.5	15	88	119	119	15.2	31.2
R412018910	20	10	60.5	20	87	57	57	9.6	12
R412018911	20	20	65.5	20	87	57	57	9.6	12
R412018912	20	30	70.5	20	87	57	57	9.6	12
R412018913	20	40	80.5	20	87	57	57	9.6	12
R412018914	20	50	90.5	20	93	65	65	10	13.3
R412018915	20	80	130.5	20	116	99	99	11.7	19
R412018916	20	100	150.5	20	116	99	99	11.7	19

# Mini slide, Series MSC-HG-EE

R412019030

AVENTICS  
Series  
MSC Guide  
cylinders

Part No.	Piston Ø	Stroke	a [mm]	d [mm]	Mx0 Static moment M [Nm]	My0 Static moment M [Nm]	Mz0 Static moment M [Nm]	Mx Dynamic moment M [Nm]	My Dynamic moment M [Nm]
R412018917	20	125	201	20	126	136	136	19	40.6
R412018918	20	150	233.5	20	126	152	152	19	45.4
R412018919	20	200	296	20	126	179	179	19	53.4
R412019023	25	10	67.5	24	100	90	90	22.9	19.5
R412019024	25	20	72.5	24	100	90	90	22.9	19.5
R412019025	25	30	77.5	24	100	90	90	22.9	19.5
R412019026	25	40	87.5	24	100	90	90	22.9	19.5
R412019027	25	50	96.5	24	100	90	90	15.3	13
R412019028	25	80	137	24	110	129	129	18.8	20.8
R412019029	25	100	157	24	110	129	129	18.8	20.8
R412019030	25	125	201	24	145	180	180	20.4	44.1
R412019031	25	150	236.5	24	145	201	201	20.4	49.2
R412019032	25	200	299	24	145	236	236	20.4	57.8

Part No.	Mz Dynamic moment M [Nm]
R412019204	1.9
R412019205	1.9
R412019206	1.9
R412019207	1.9
R412019208	2.9
R412019209	3.8
R412019190	4.4
R412019191	4.4
R412019192	4.4
R412019193	4.4
R412019194	5.6
R412019195	8.2
R412019196	8.2
R412019168	6.6
R412019169	6.6
R412019170	6.6
R412019171	6.6
R412019172	7.6
R412019173	12.8
R412019174	12.8
R412019175	31.2
R412019176	31.2
R412018910	12
R412018911	12
R412018912	12
R412018913	12
R412018914	13.3
R412018915	19
R412018916	19

# Mini slide, Series MSC-HG-EE

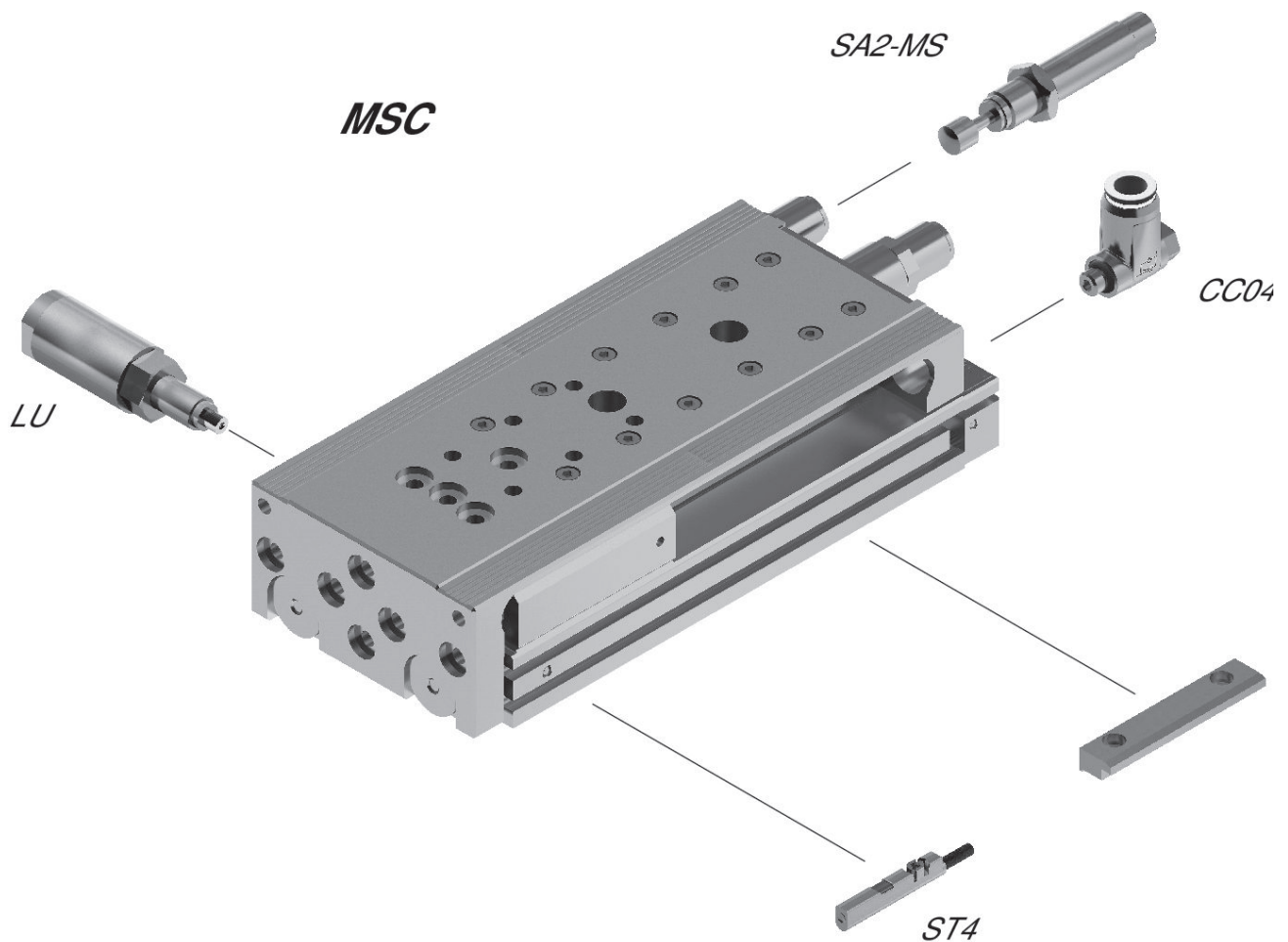
R412019030

AVENTICS  
Series  
MSC Guide  
cylinders

2024-04-06

Part No.	Mz Dynamic moment M [Nm]
R412018917	40.6
R412018918	45.4
R412018919	53.4
R412019023	19.5
R412019024	19.5
R412019025	19.5
R412019026	19.5
R412019027	13
R412019028	20.8
R412019029	20.8
R412019030	44.1
R412019031	49.2
R412019032	57.8

## Overview drawing



NOTE: This overview drawing is only for orientation to indicate where the various accessory parts can be fastened to the cylinder. The illustration has been simplified for this purpose. It is thus not possible to derive the dimensions from this overview.

# Mini slide, Series MSC-HG-EE

R412019030

AVENTICS  
Series  
MSC Guide  
cylinders

2024-04-06

## Weight of moving parts [kg]

Piston Ø	S=10	S=20	S=30	S=40	S=50	S=80	S=100	S=125	S=150
8	0.14	0.14	0.155	0.165	0.195	0.265	–	–	–
12	0.255	0.255	0.26	0.28	0.315	0.403	0.46	–	–
16	0.375	0.375	0.375	0.4	0.45	0.615	0.65	0.725	0.765
20	0.655	0.655	0.655	0.69	0.765	0.985	1.035	1.2	1.29
25	1	1	1	1.1	1.225	1.45	1.625	1.885	2.085

Piston Ø	S=200
8	–
12	–
16	–
20	1.54
25	2.445