

- Ø 32 mm ... 320 mm

## AVENTICS Modular scraper systems and front lube unit

The AVENTICS Modular scraper system and front lube unit offer more flexibility by implementing a different scraper model with the same cylinder if yours needs changing. They are available separately as spare parts with fully installed seals and bushings and can be exchanged at any time, quickly and easily, without removing the cylinder.



## Technical data

|                                    |   |
|------------------------------------|---|
| Industry                           | Industrial                                  |
| For series                         | PRA<br>TRB<br>CCL-IS                        |
| Scraper                            | Standard Industry Scraper<br>Hard scraper   |
| Application area                   | Paper/printing industry<br>Textile industry |
| Piston Ø                           | 32 mm                                       |
| Min. working pressure              | 1.5 bar                                     |
| Max. working pressure              | 10 bar                                      |
| Min. ambient temperature           | -20 °C                                      |
| Max. ambient temperature           | 80 °C                                       |
| Medium                             | Compressed air                              |
| Min. oil content of compressed air | 0 mg/m <sup>3</sup>                         |
| Max. oil content of compressed air | 5 mg/m <sup>3</sup>                         |

## Material

|                  |          |
|------------------|----------|
| Housing material | Aluminum |
| Surface          | anodized |

# Modular scraper system

0496400704

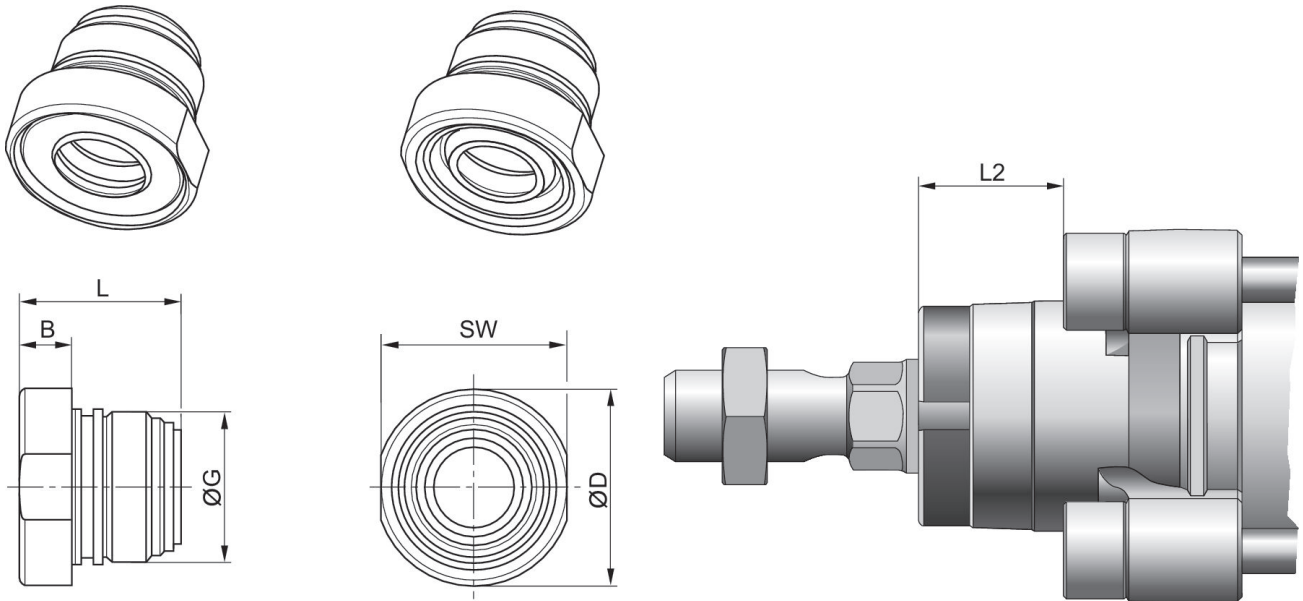
Series MS

2023-12-20

Piston rod seal  
Scraper  
Part No.

Acrylonitrile butadiene rubber  
Polyester elastomer  
0496400704

## Dimensions



| Piston Ø | B   | ØD   | G       | L    | L2    | SW |
|----------|-----|------|---------|------|-------|----|
| 32       | 6.7 | 24.5 | M22x1   | 23   | 16.25 | 23 |
| 40       | 9.2 | 34   | M26x1,5 | 28.1 | 18.25 | 32 |