

- Ø 32 mm ... 320 mm

AVENTICS Modular scraper systems and front lube unit

The AVENTICS Modular scraper system and front lube unit offer more flexibility by implementing a different scraper model with the same cylinder if yours needs changing. They are available separately as spare parts with fully installed seals and bushings and can be exchanged at any time, quickly and easily, without removing the cylinder.



Technical data

Industry

For series

Scraper

Application area

Piston Ø

Min. working pressure

Max. working pressure

Min. ambient temperature

Max. ambient temperature

Medium

Min. oil content of compressed air

Max. oil content of compressed air

Industrial

PRA

TRB

CCL-IS

Chemical-resistant scraper

Textile industry

Food industry

Chemical industry

Sugar production

32 mm

1.5 bar

10 bar

-20 °C

80 °C

Compressed air

0 mg/m³

5 mg/m³

Material

Housing material

Aluminum

Modular scraper system

0496401107

Series MS

2023-12-20

Surface

anodized

Piston rod seal

Acrylonitrile butadiene rubber

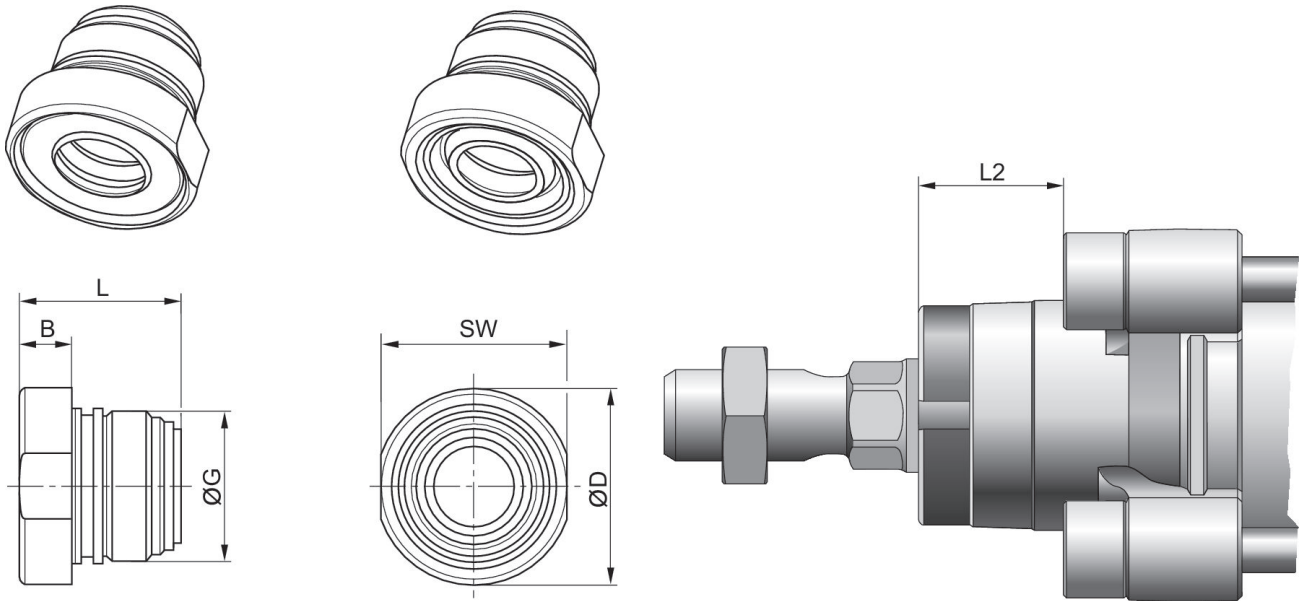
Scraper

Polytetrafluorethylene

Part No.

0496401107

Dimensions



Piston Ø	B	ØD	G	L	L2	SW
32	6.7	24.5	M22x1	23	16.25	23
40	9.2	34	M26x1,5	28.1	18.25	32