

- Ø 32 mm ... 320 mm

AVENTICS Modular scraper systems and front lube unit

The AVENTICS Modular scraper system and front lube unit offer more flexibility by implementing a different scraper model with the same cylinder if yours needs changing. They are available separately as spare parts with fully installed seals and bushings and can be exchanged at any time, quickly and easily, without removing the cylinder.



Technical data

Industry

For series

Scraper

Application area

Piston Ø

Min. working pressure

Max. working pressure

Min. ambient temperature

Max. ambient temperature

Medium

Min. oil content of compressed air

Max. oil content of compressed air

Industrial

PRA

TRB

CCL-IS

Metal Scraper

Chemical industry

Sugar production

Steel construction

Automotive industry

Woodworking industry

40 mm

1.5 bar

10 bar

-20 °C

80 °C

Compressed air

0 mg/m³

5 mg/m³

Modular scraper system

0496400402

Series MS

2023-12-20

Material

Housing material

Aluminum

Surface

anodized

Piston rod seal

Acrylonitrile butadiene rubber

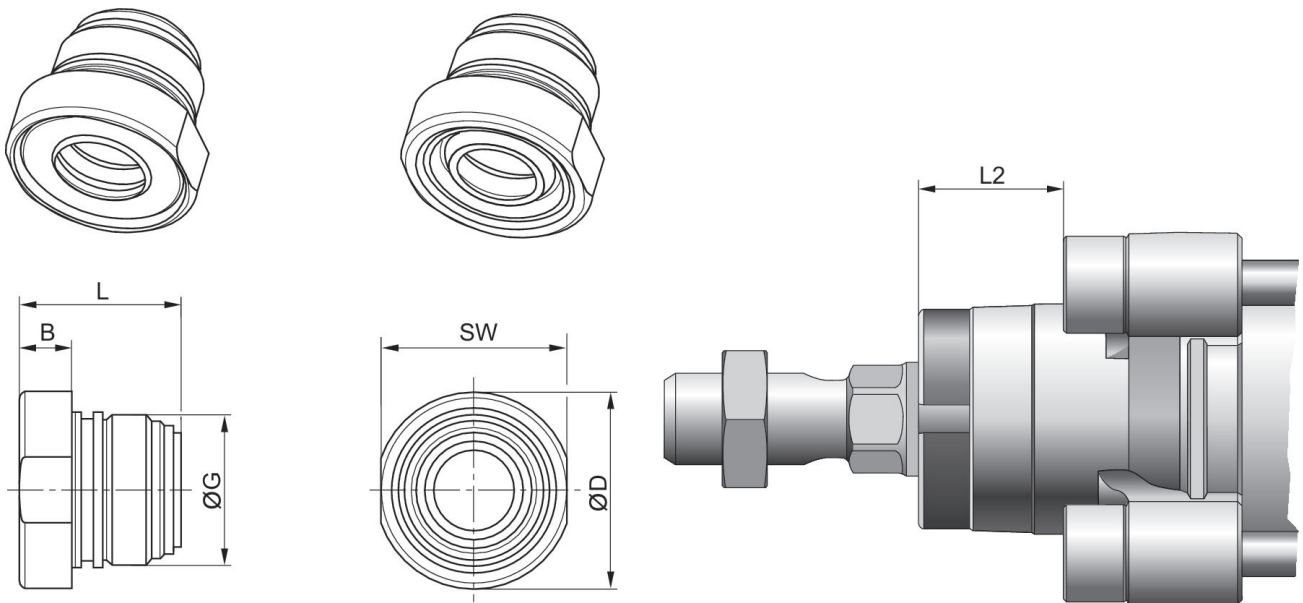
Scraper

Brass

Part No.

0496400402

Dimensions



Piston Ø	B	ØD	G	L	L2	SW
32	6.7	24.5	M22x1	23	16.25	23
40	9.2	34	M26x1,5	28.1	18.25	32