

- Ø 32 mm ... 320 mm

AVENTICS Modular scraper systems and front lube unit

The AVENTICS Modular scraper system and front lube unit offer more flexibility by implementing a different scraper model with the same cylinder if yours needs changing. They are available separately as spare parts with fully installed seals and bushings and can be exchanged at any time, quickly and easily, without removing the cylinder.



Technical data

Industry

Industrial

For series

PRA

TRB

CCL-IS

Scraper

Heat-Resistant Scraper

Application area

Textile industry

Food industry

Chemical industry

Sugar production

Piston Ø

125 mm

Min. working pressure

1.5 bar

Max. working pressure

10 bar

Min. ambient temperature

-10 °C

Max. ambient temperature

150 °C

Medium

Compressed air

Min. oil content of compressed air

0 mg/m³

Max. oil content of compressed air

5 mg/m³

Material

Housing material

Aluminum

Modular scraper system

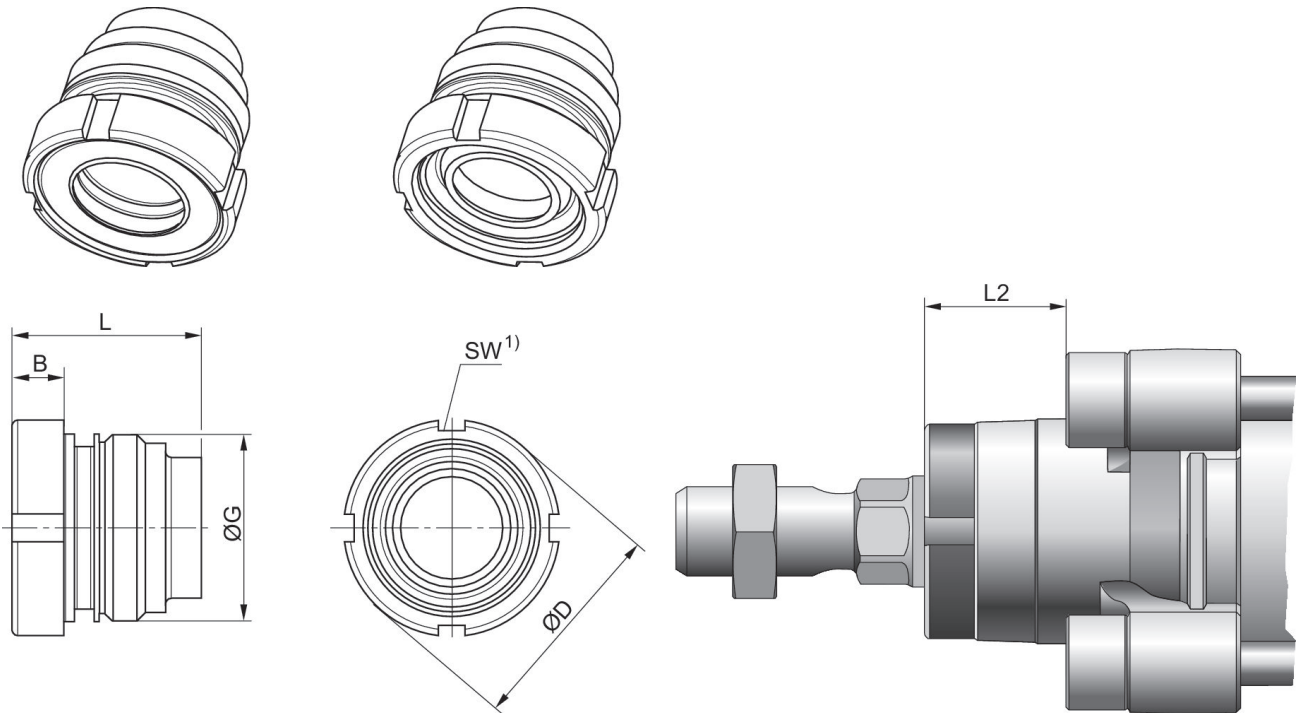
0496303202

Series MS

2023-12-20

| | |
|-----------------|------------------------|
| Surface | anodized |
| Piston rod seal | Fluorocautchouc |
| Scraper | Polytetrafluorethylene |
| Part No. | 0496303202 |

Dimensions



1) Can be mounted with hook wrench in accordance with DIN 1810 A

| Piston Ø | B | ØD | G | L | L2 | SW |
|----------|----|------|-------|------|----|-------|
| 50, 63 | 9 | 38.5 | M33x2 | 33.5 | 25 | 40-42 |
| 80, 100 | 10 | 44 | M40x2 | 44 | 33 | 45-50 |
| 125 | 12 | 57 | M50x2 | 56 | 45 | 58-62 |