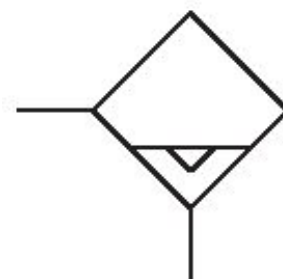


# Condensate separator, Series MU1

## R412010688

### General series information Series MU1

- The AVENTICS Series MU1 components are ideal for applications in harsh environments. They offer large thread connections to guarantee a high compressed air flow rate and provide reliable filtration, regulation and lubrication.



### Technical data

Industry

Parts

Mounting orientation

Filter reservoir volume

Condensate drain

Compressed air connection

Working pressure min.

Working pressure max

Min. ambient temperature

Max. ambient temperature

Medium

Industrial

Condensate separator

vertical

49 cm<sup>3</sup>

semi-automatic, open without pressure

G 1/2

2 bar

16 bar

0 °C

50 °C

Compressed air

Neutral gases

Weight 0.185 kg

### Material

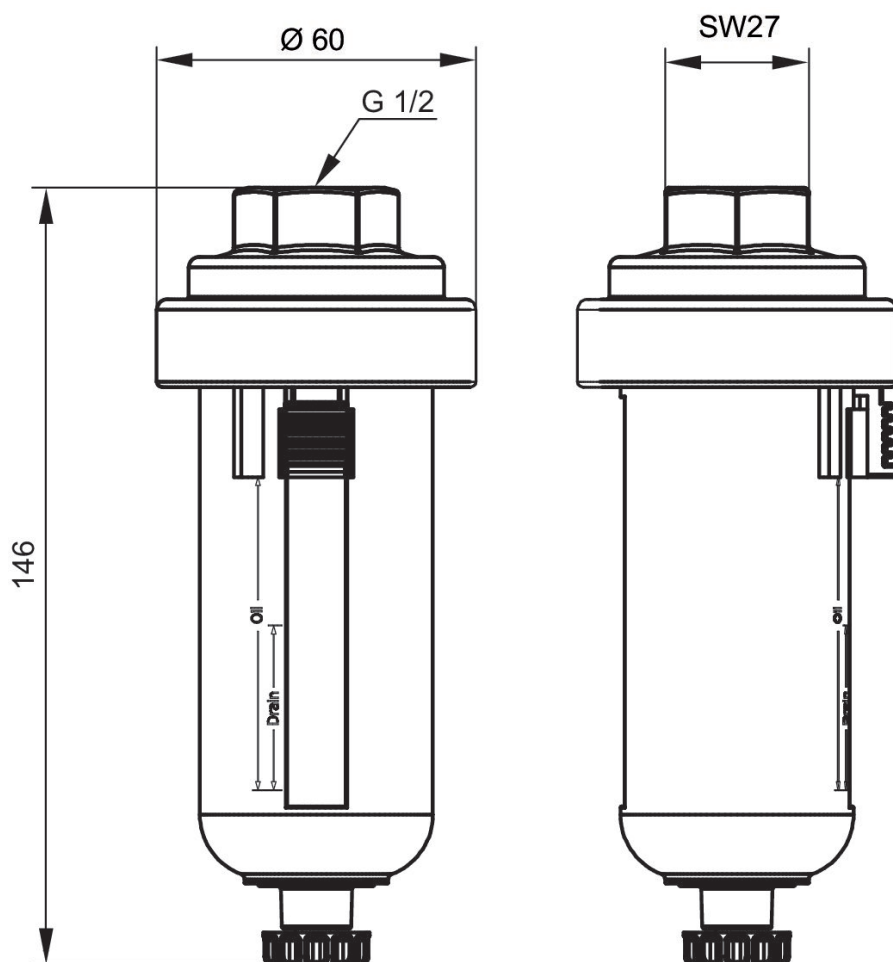
Material reservoir	Polycarbonate
Material protective guard	Polyamide
Seal material	Nitrile butadiene rubber
Part No.	R412010688

### Technical information

To discharge condensate and oil from the compressed air network  
Ideally installed at the lowest point of the compressed air network

### Dimensions

Fig. 1



Dimensions  
Fig. 2

