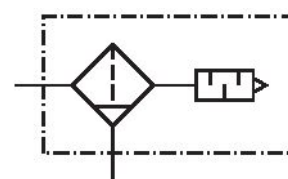
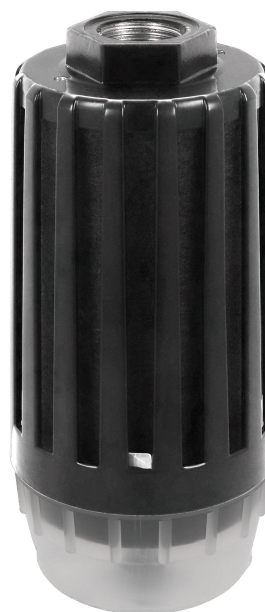


# Oil separator, Series MU1

R412028130

General series information  
Series MU1

- The AVENTICS Series MU1 components are ideal for applications in harsh environments. They offer large thread connections to guarantee a high compressed air flow rate and provide reliable filtration, regulation and lubrication.



## Technical data

Industry	Industrial
Parts	Oil separator
Reservoir	Reservoir Polypropylene
Compressed air connection	G 1
Nominal flow Qn	32000 l/min
Working pressure min.	0 bar
Working pressure max	16 bar
Min. ambient temperature	-20 °C
Max. ambient temperature	120 °C
Medium	Compressed air Neutral gases
Function	filter silencer
Weight	0.88 kg

## Material

Housing material	Aluminum
Material reservoir	Polypropylene
Part No.	R412028130

## Technical information

Mounting with mounting bracket R412028149

Nominal flow  $Q_n$  at  $p_1 = 6$  bar freely discharged.

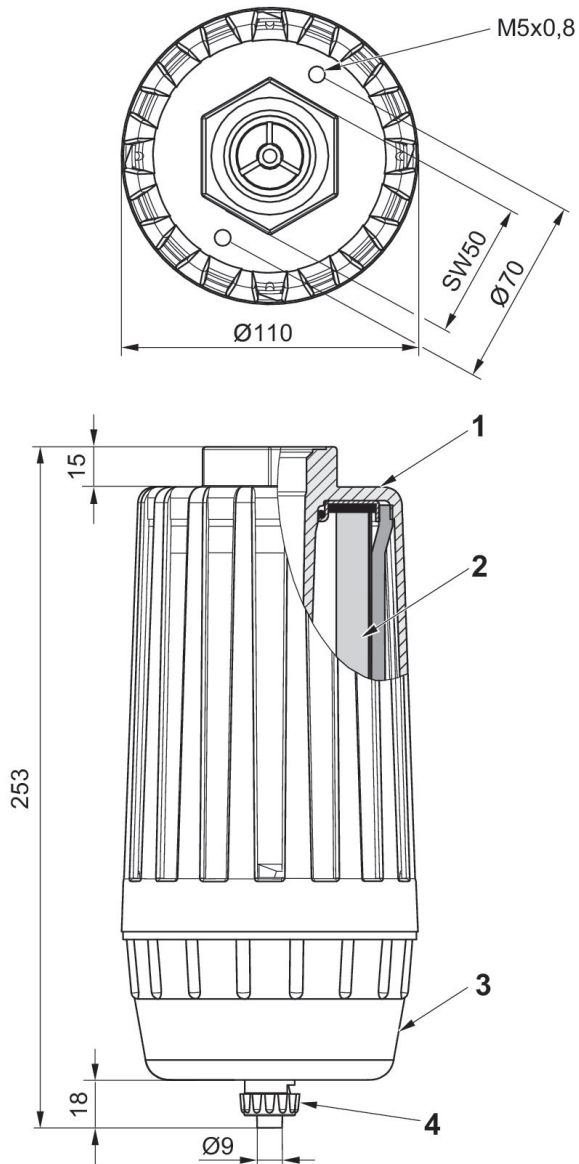
Residual oil content at the outlet at max. 1500 l/min.: 0,01 mg/m<sup>3</sup>

The pressure dew point must be at least 15 °C less than ambient and medium temperature and may not exceed 3 °C.

The oil content of compressed air must remain constant during the life cycle.

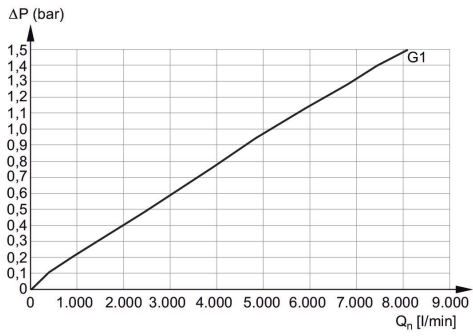
Use only the approved oils from AVENTICS. Further information can be found in the "Technical information" document (available in <https://www.emerson.com/en-us/support>).

## Dimensions in mm

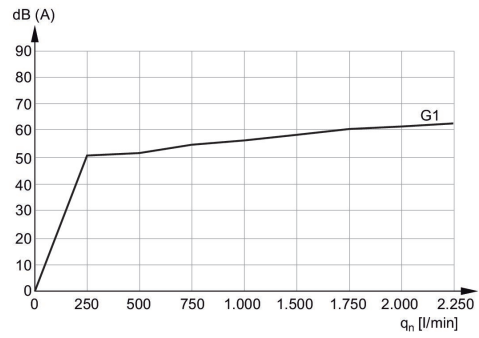


- 1) Housing
- 2) microfilter element
- 3) PC reservoir
- 4) Drain valve

Flow rate characteristic,  $p_2 = 0,05 - 7$  bar noise emission



$q_n$  = Nominal flow



$q_n$  = Nominal flow