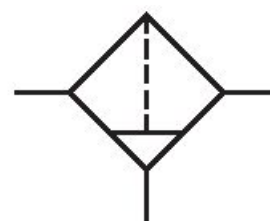


# Filter, Series MU1-FLS

## R412006585

General series information  
Series MU1

- The AVENTICS Series MU1 components are ideal for applications in harsh environments. They offer large thread connections to guarantee a high compressed air flow rate and provide reliable filtration, regulation and lubrication.



### Technical data

Industry	Industrial
Parts	Filter
Reservoir	Metal reservoir without window
Port	G 1
Filter porosity	40 µm
Nominal flow Qn	4000 l/min
Condensate drain	Manual
Working pressure min.	0 bar
Working pressure max	25 bar
Min. ambient temperature	-10 °C
Max. ambient temperature	60 °C
Medium	Compressed air Neutral gases
Filter reservoir volume	65 cm <sup>3</sup>

Filter element	exchangeable
Weight	1.05 kg
Mounting orientation	vertical

## Material

Housing material	Die-cast aluminum
Seal material	Acrylonitrile butadiene rubber
Material reservoir	Die cast zinc
Material filter insert	Polyethylene
Part No.	R412006585

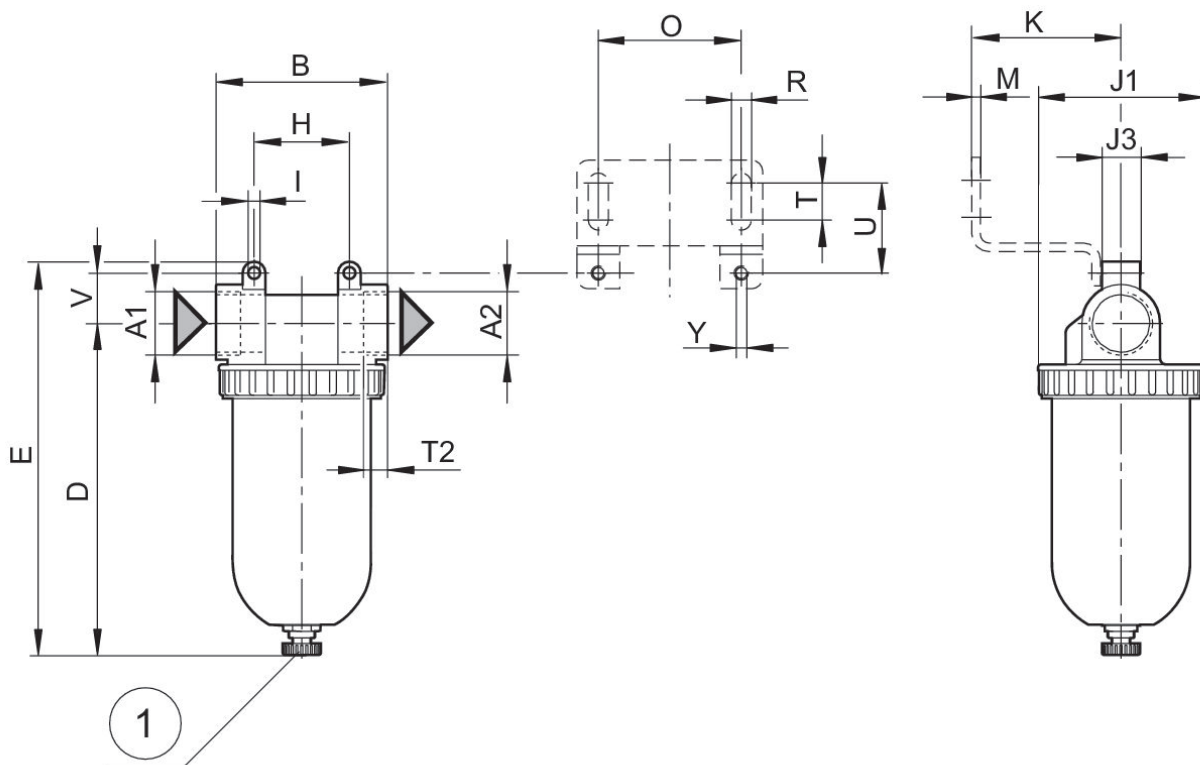
## Technical information

The pressure dew point must be at least 15 °C less than ambient and medium temperature and may not exceed 3 °C.

Mounting: mounting bracket R412004874 or installation in piping

Nominal flow  $Q_n$  with secondary pressure  $p_2 = 6$  bar at  $\Delta p = 1$  bar

## Dimensions

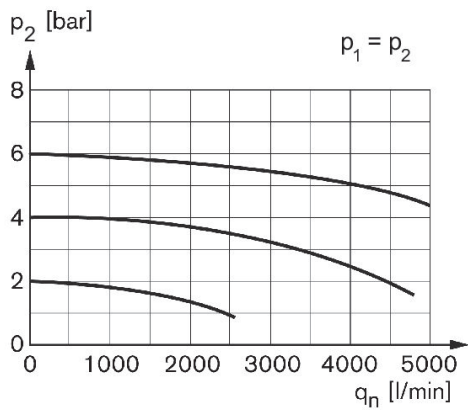


1) manual or semi-automatic condensate drain

Part No.	A1	A2	B	D ±5	E ±7	H	I	J1	J3
R412006562	G 1	G 1	90	174	206	50	6.2	87	20
R412006585	G 1	G 1	90	174	206	50	6.2	87	20

Part No.	K	M	O	R	T	T2	U	V	Y
R412006562	55	3	50	7	13	16	31.5	26.5	M6
R412006585	55	3	50	7	13	16	31.5	26.5	M6

### Flow rate characteristic, $p_2 = 0,05 - 7$ bar



$p_2$  = secondary pressure  $q_n$  = nominal flow