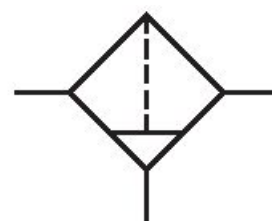


# Filter, Series MU1-FLS

## R412006568

General series information  
Series MU1

- The AVENTICS Series MU1 components are ideal for applications in harsh environments. They offer large thread connections to guarantee a high compressed air flow rate and provide reliable filtration, regulation and lubrication.



### Technical data

Industry	Industrial
Parts	Filter
Reservoir	reservoir, polycarbonate, without protective guard
Port	G 2
Filter porosity	60 µm
Nominal flow Qn	30000 l/min
Condensate drain	Manual
Working pressure min.	0 bar
Working pressure max	16 bar
Min. ambient temperature	-10 °C
Max. ambient temperature	60 °C
Medium	Compressed air Neutral gases
Filter reservoir volume	300 cm <sup>3</sup>

Filter element	exchangeable
Weight	3.5 kg
Mounting orientation	vertical

## Material

Housing material	Die cast zinc
Seal material	Acrylonitrile butadiene rubber
Material reservoir	Polycarbonate
Material filter insert	Polyethylene
Part No.	R412006568

## Technical information

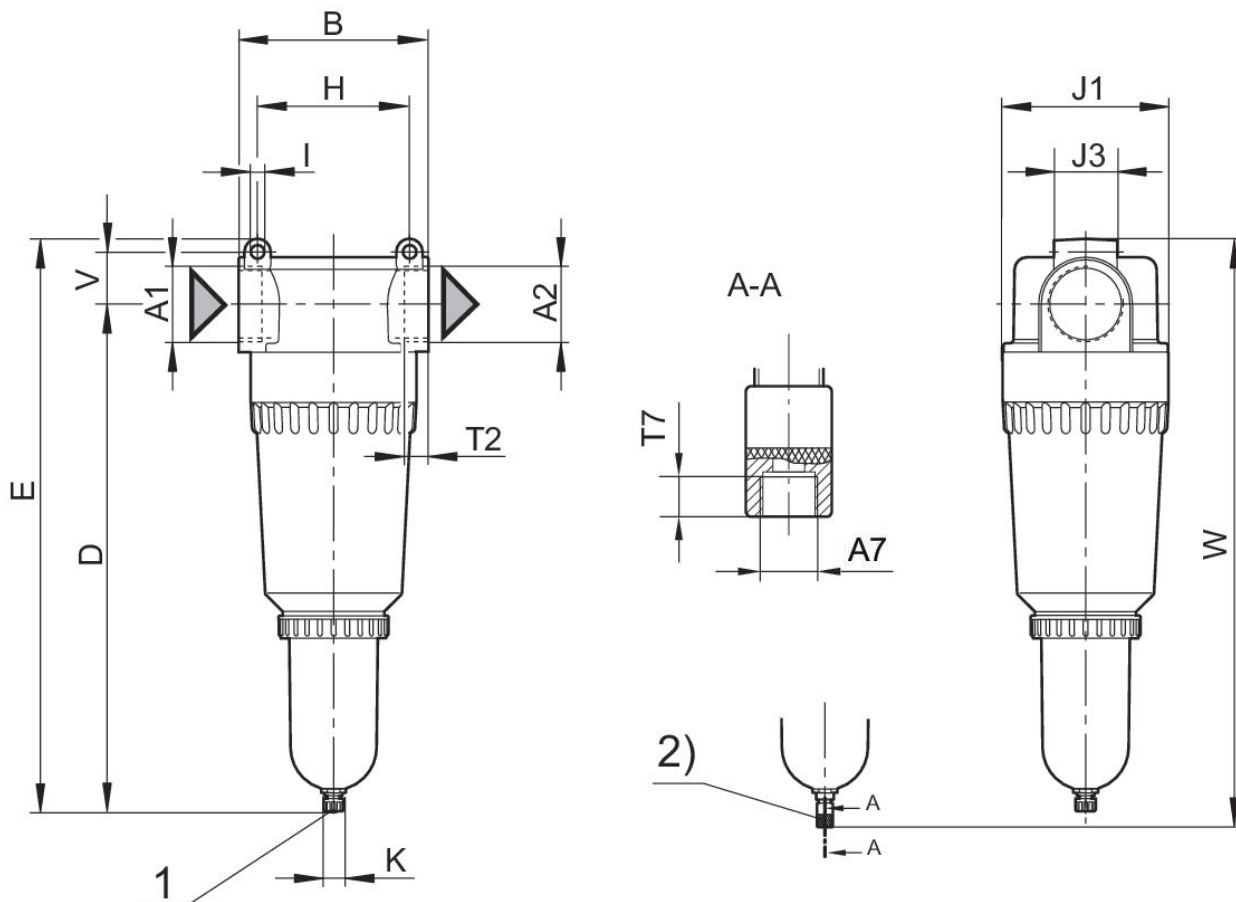
The pressure dew point must be at least 15 °C less than ambient and medium temperature and may not exceed 3 °C.

Mounting via 2 through-holes in housing

Nominal flow  $Q_n$  with secondary pressure  $p_2 = 6$  bar at  $\Delta p = 1$  bar

Metal protective guard can be retrofitted for all polycarbonate reservoirs

## Dimensions



1) manual condensate drain 2) fully automatic condensate drain

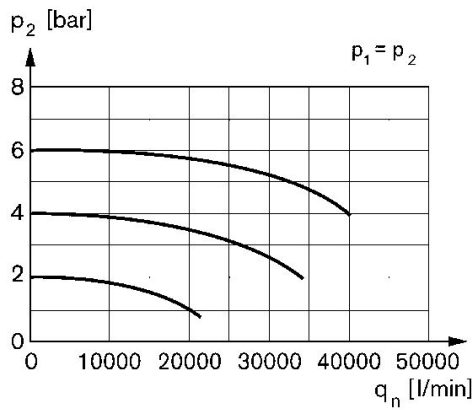
Part No.	A1	A2	A7	B ±7	D ±7	E ±7	H	I	J1
R41200667	G 1 1/2	G 1 1/2	G 1/8	150	383	424	120	10.5	131
R412006568	G 2	G 2	G 1/8	150	400.5	452	120	10.5	131
R412006570	G 2	G 2	G 1/8	150	400.5	452	120	10.5	131
R412006571	G 2	G 2	G 1/8	150	400.5	452	120	10.5	131

Part No.	J3	T2	T7	V ±5	W ±7				
R41200667	50	24	8.5	41	441.5				
R412006568	50	24	8.5	41	464.5				
R412006570	50	24	8.5	41	464.5				
R412006571	50	24	8.5	41	464.5				

Part No.		
R41200667		
R412006568		

Part No.		
R412006570		
R412006571		

### Flow rate characteristic, $p_2 = 0,05 - 7$ bar



$p_2$  = secondary pressure  $q_n$  = nominal flow