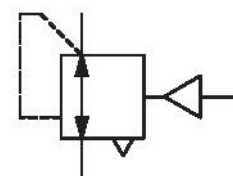


Pressure regulator, Series MU1-RGS

R412007600

General series information
MU1

- The AVENTICS Series MU1 components are ideal for applications in harsh environments. They offer large thread connections to guarantee a high compressed air flow rate and provide reliable filtration, regulation and lubrication.



Technical data

Industry	Industrial
Function	Standard pressure regulator
Parts	Pressure regulator
Pressure gauge	without pressure gauge
Mounting orientation	Any
Regulator type	Diaphragm-type pressure regulator
Port	G 3/4
Nominal flow Qn	15000 l/min
Regulation range min.	0.5 bar
Regulation range max.	20 bar
Working pressure min.	0.5 bar
Working pressure max.	40 bar
Min. ambient temperature	-10 °C
Max. ambient temperature	80 °C
Activation	Pneumatically

Regulator function	with relieving air exhaust
Pressure supply	single
Control pressure min.	0.5 bar
Control pressure max.	20 bar
Medium	Compressed air Neutral gases
Weight	2 kg

Material

Housing material	Zinc
Seal material	Nitrile rubber
Part No.	R412007600

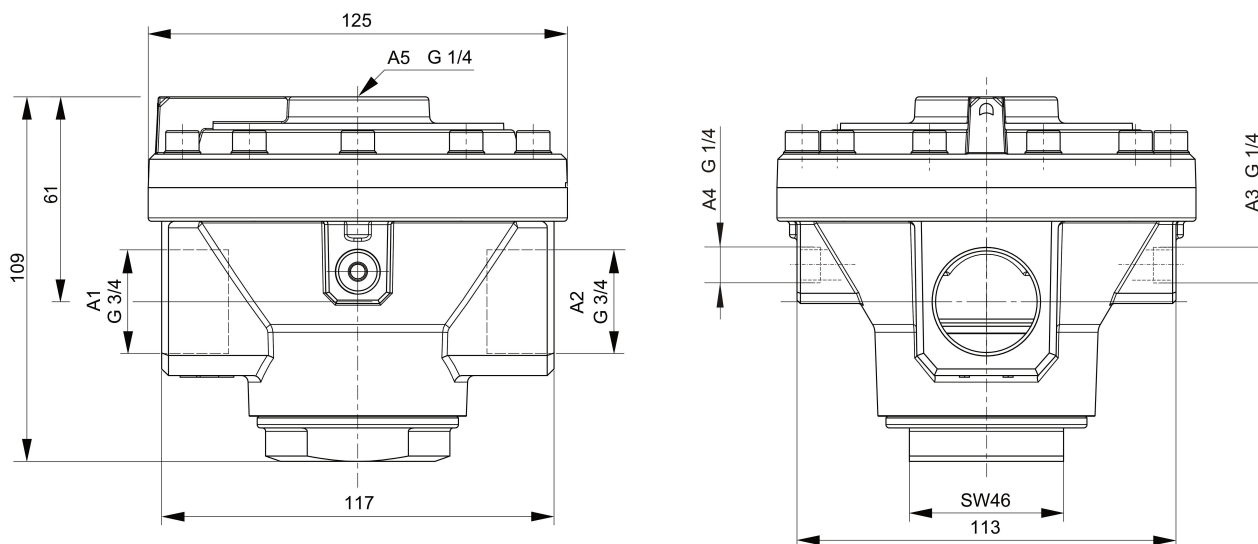
Technical information

The pressure dew point must be at least 15 °C less than ambient and medium temperature and may not exceed 3 °C.

Nominal flow Q_n with secondary pressure $p_2 = 6$ bar at $\Delta p = 1$ bar

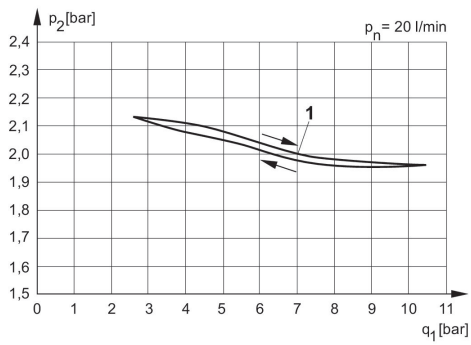
mounting: mounting bracket R412004873 or installation in piping

Dimensions in mm



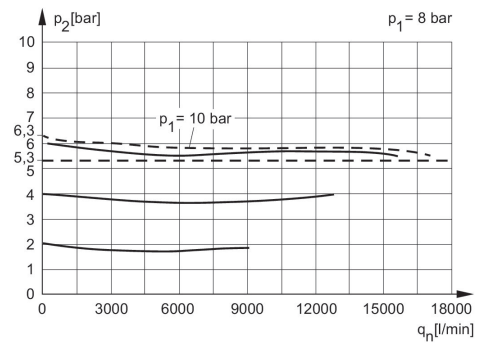
A1 = input
A2 = output
A3 = pressure gauge connection
A4 = pressure gauge connection back side
A5 = Control pressure connection
Pressure gauge holes A3 and A4 closed

Pressure characteristics curve



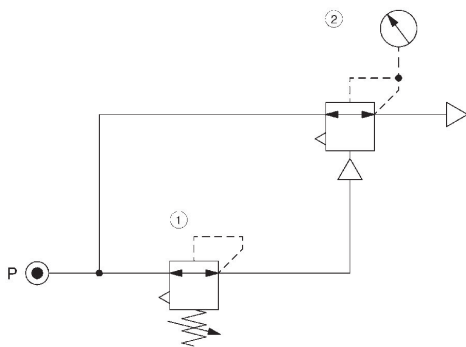
p1 = Working pressure
p2 = Secondary pressure
q = flow rate
1) Starting point

Flow rate characteristic, p2 = 0,05 - 7 bar



p1 = Working pressure
p2 = Secondary pressure
qn = Nominal flow

Application example



1) Precision pressure regulator
2) Pressure regulator valve, pneumatically operated