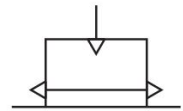


AVENTICS Series NCT Non-contact transport system

AVENTICS Series NCT non-contact transport systems make for a unique gripping experience: The floating suction pads in the NCT Series are masterful in sensitively handling delicate surfaces and difficult-to-grasp materials in a virtually non-contact and extremely gentle process. Handling with NCT is even possible with a large degree of perforation, contaminated, wet, and dusty surfaces, or soft materials.



Technical data

Industry	Industrial
Compressed air connection	M5
Lifting force at [[5] bar]	5.5 N
Diameter	40 mm
Lubricant class	suitable for use in food processing
Type	Bernoulli principle
Air consumption at [[5] bar]	150 l/min
Min. working pressure	1 bar
Max. working pressure	7 bar
Min. ambient temperature	5 °C
Max. ambient temperature	60 °C
Medium	Compressed air
Min. oil content of compressed air	0 mg/m ³
Max. particle size	40 µm
Housing material	Polyetheretherketone
Material stop	Silicone caoutchouc
Nozzle material	Stainless Steel
Material blanking screw	Polyetheretherketone
Seal material	Fluorocaoutchouc

Non-contact transport system, Series NCT-PK

series NCT

R412014868

2024-01-22

Weight	0.03 kg
Part No.	R412014868

Technical information

The pressure dew point must be at least 15 °C less than ambient and medium temperature and may not exceed 3 °C.

Notice: This product may only be operated with oil-free, dry compressed air.

Note: The product is FDA-compliant.

Highly resistant against diverse chemicals used in the food industry.

Suitable for all conventional CIP (Cleaning-In-Place) and SIP (Sterilization-In-Place) processes.

Hygienic product design enables quick and easy cleaning.

Product with laser-etched label.

Dimensions

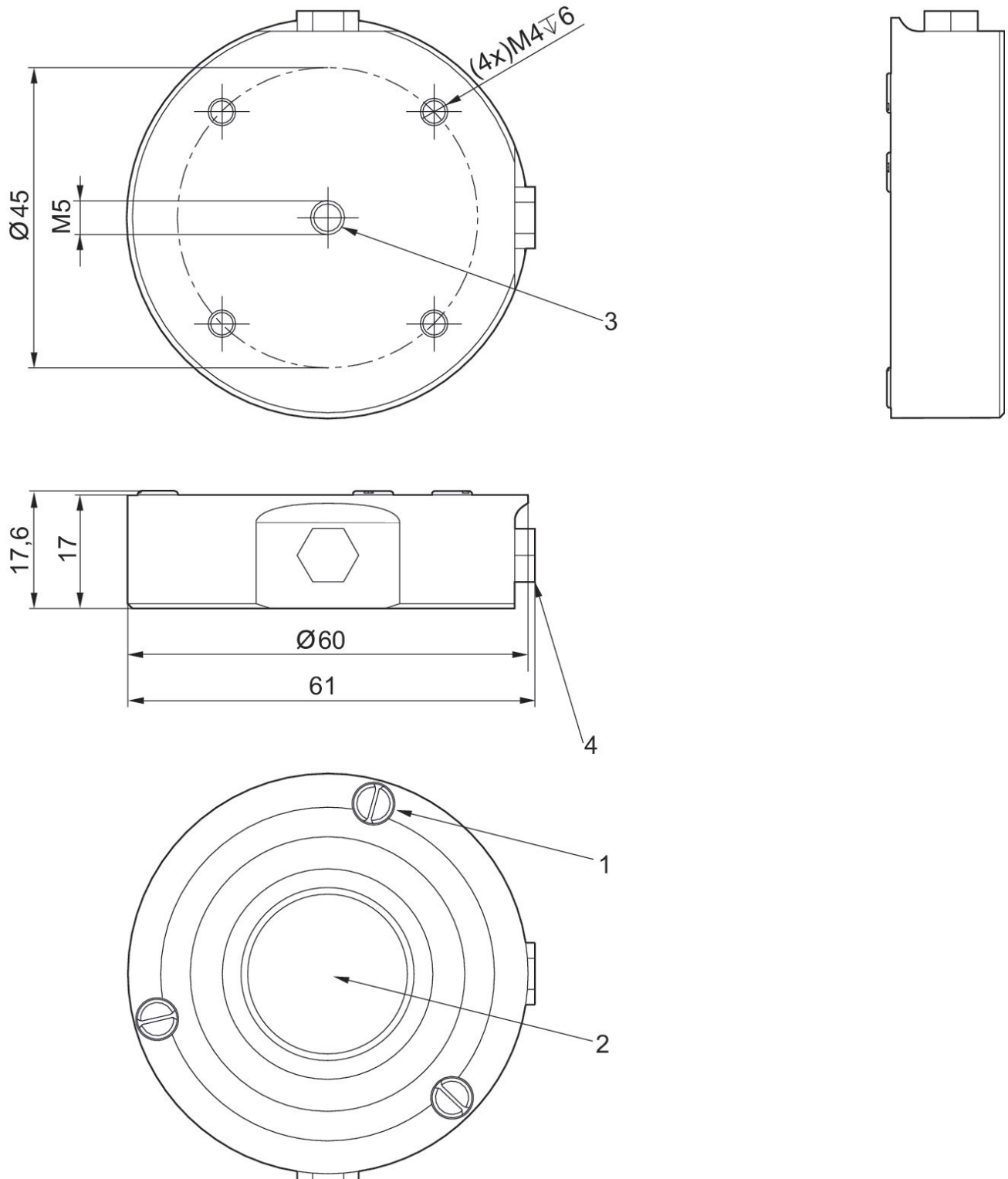
Non-contact transport system, Series NCT-PK

series NCT

R412014868

2024-01-22

Ø 60



1) Stop 2) Nozzle 3) Compressed air connection 4) Alternative compressed air connection with blanking screw

Dimensions

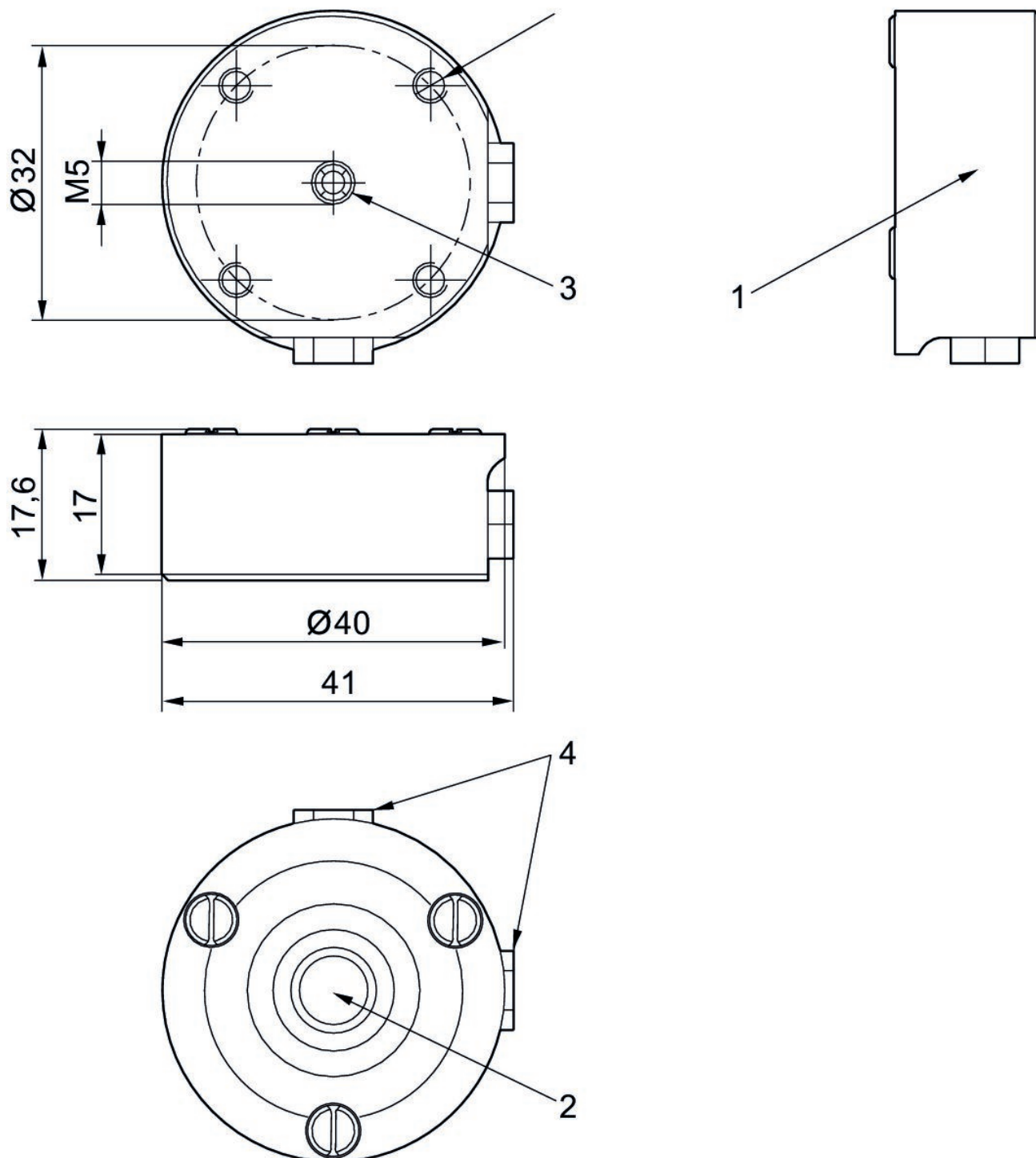
Non-contact transport system, Series NCT-PK

series NCT

R412014868

2024-01-22

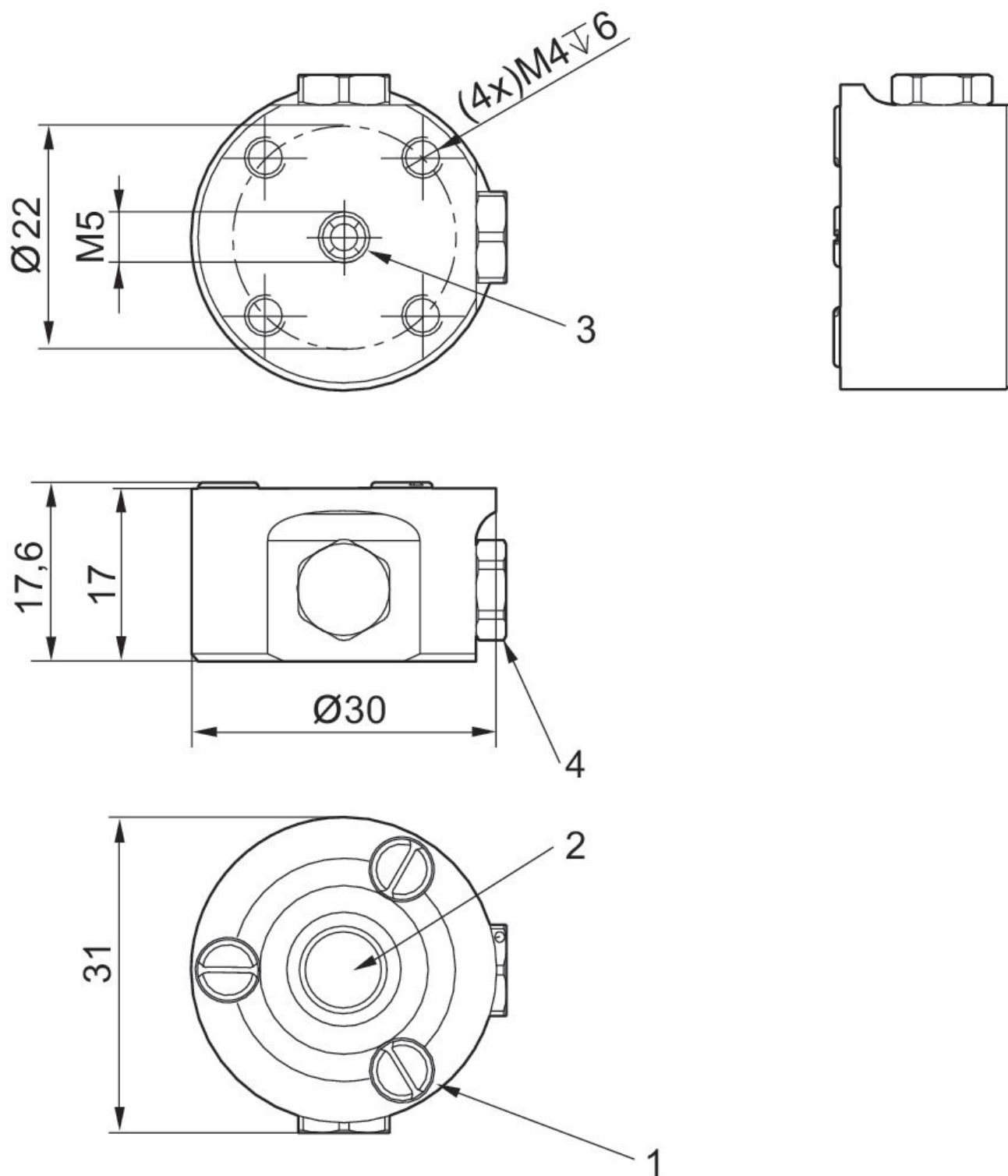
Ø 40



1) Stop 2) Nozzle 3) Compressed air connection 4) Alternative compressed air connection with blanking screw

Dimensions

Ø 30



1) Stop 2) Nozzle 3) Compressed air connection 4) Alternative compressed air connection with blanking screw

Dimensions

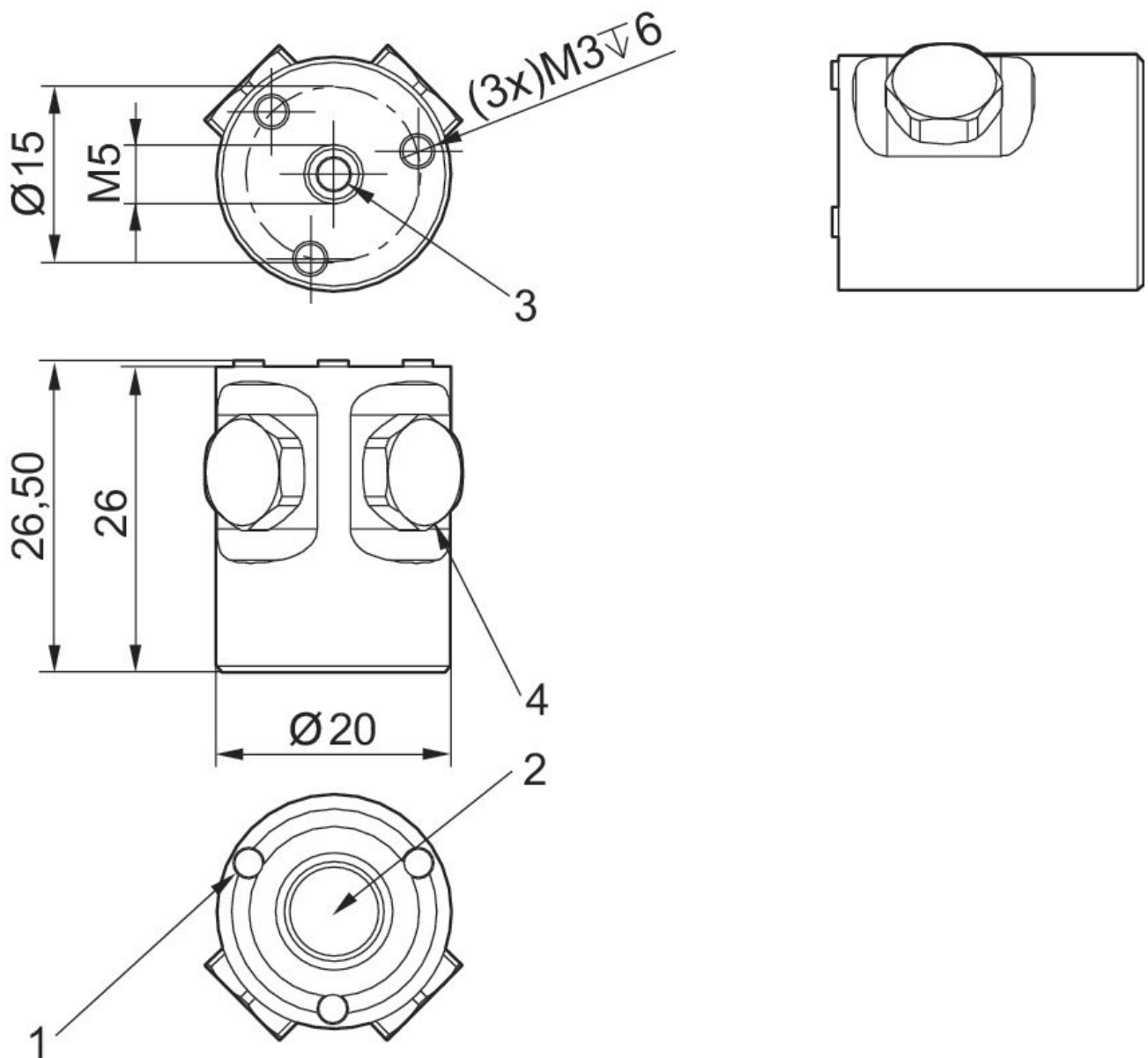
Non-contact transport system, Series NCT-PK

series NCT

R412014868

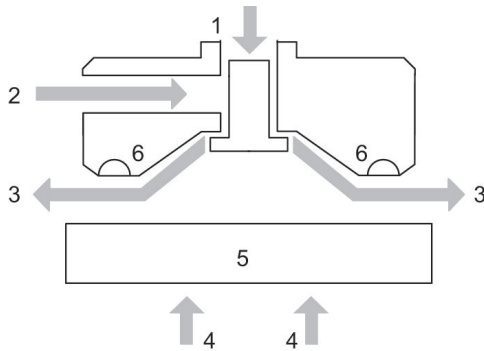
2024-01-22

Ø 20



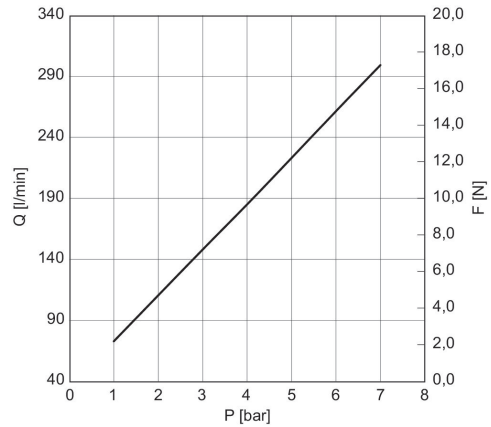
1) Stop 2) Nozzle 3) Compressed air connection 4) Alternative compressed air connection with blanking screw

Principle of operation

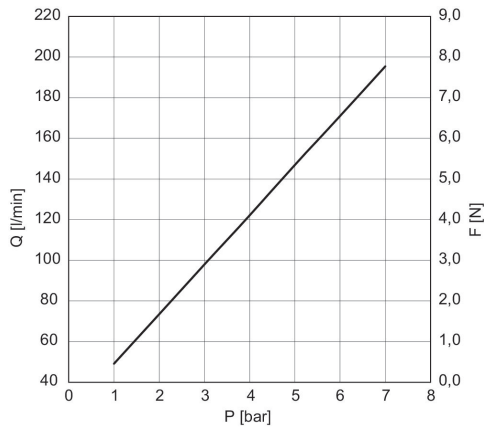


1) Compressed air connection 2) Alternative compressed air connection 3) Air flow 4) Lifting force 5) Object 6) Stop

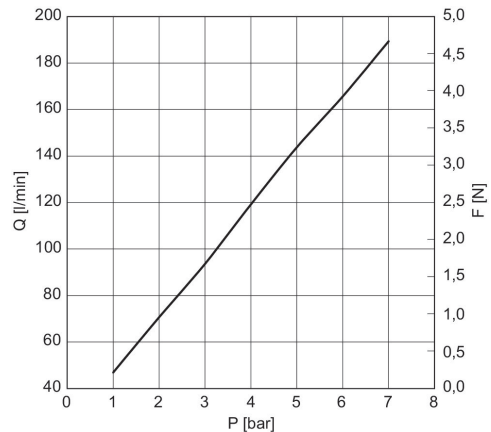
Lifting force F and air consumption Q depending on working pressure p Ø 60



Lifting force F and air consumption Q depending on working pressure p Ø 40



Lifting force F and air consumption Q depending on working pressure p Ø 30



Lifting force F and air consumption Q
depending on working pressure p
Ø 20

