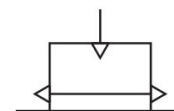


AVENTICS Series NCT Non-contact transport system

AVENTICS Series NCT non-contact transport systems make for a unique gripping experience: The floating suction pads in the NCT Series are masterful in sensitively handling delicate surfaces and difficult-to-grasp materials in a virtually non-contact and extremely gentle process. Handling with NCT is even possible with a large degree of perforation, contaminated, wet, and dusty surfaces, or soft materials.



Technical data

| | |
|------------------------------------|-------------------------------------|
| Industry | Industrial |
| Compressed air connection | M5 |
| Lifting force at [[5] bar] | 12 N |
| Diameter | 60 mm |
| Lubricant class | suitable for use in food processing |
| Type | Bernoulli principle |
| Air consumption at [[5] bar] | 220 l/min |
| Min. working pressure | 1 bar |
| Max. working pressure | 7 bar |
| Min. ambient temperature | 5 °C |
| Max. ambient temperature | 60 °C |
| Medium | Compressed air |
| Min. oil content of compressed air | 0 mg/m ³ |
| Max. particle size | 40 µm |
| Housing material | Polyetheretherketone |
| Material stop | Silicone caoutchouc |
| Nozzle material | Stainless Steel |
| Material blanking screw | Polyetheretherketone |
| Seal material | Fluorocaoutchouc |

Non-contact transport system, Series NCT-PK

series NCT

R412014869

2024-05-17

Weight

0.07 kg

Part No.

R412014869

Technical information

The pressure dew point must be at least 15 °C less than ambient and medium temperature and may not exceed 3 °C.

Notice: This product may only be operated with oil-free, dry compressed air.

Note: The product is FDA-compliant.

Highly resistant against diverse chemicals used in the food industry.

Suitable for all conventional CIP (Cleaning-In-Place) and SIP (Sterilization-In-Place) processes.

Hygienic product design enables quick and easy cleaning.

Product with laser-etched label.

Dimensions

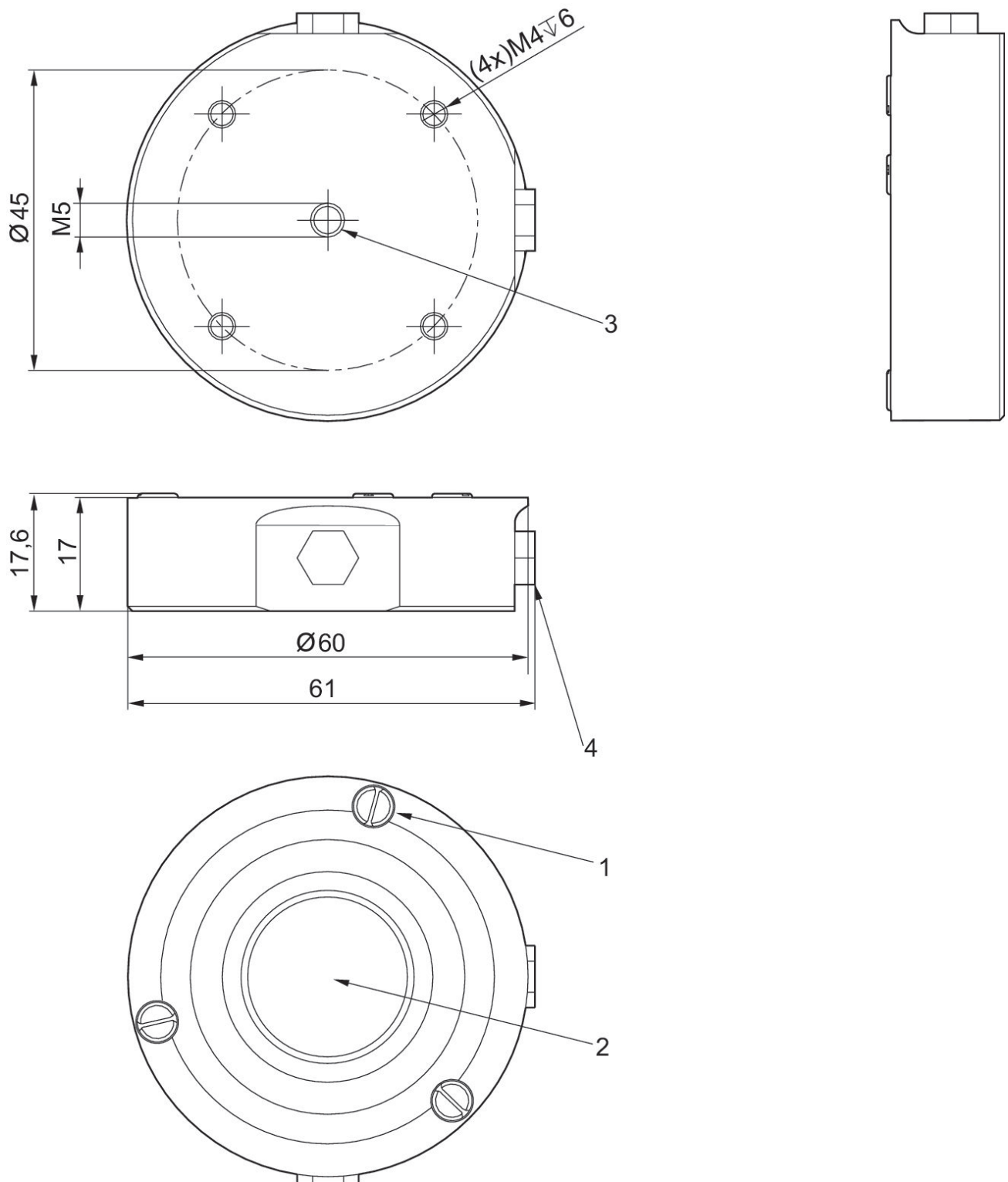
Non-contact transport system, Series NCT-PK

series NCT

R412014869

2024-05-17

Ø 60



1) Stop 2) Nozzle 3) Compressed air connection 4) Alternative compressed air connection with blanking screw

Dimensions

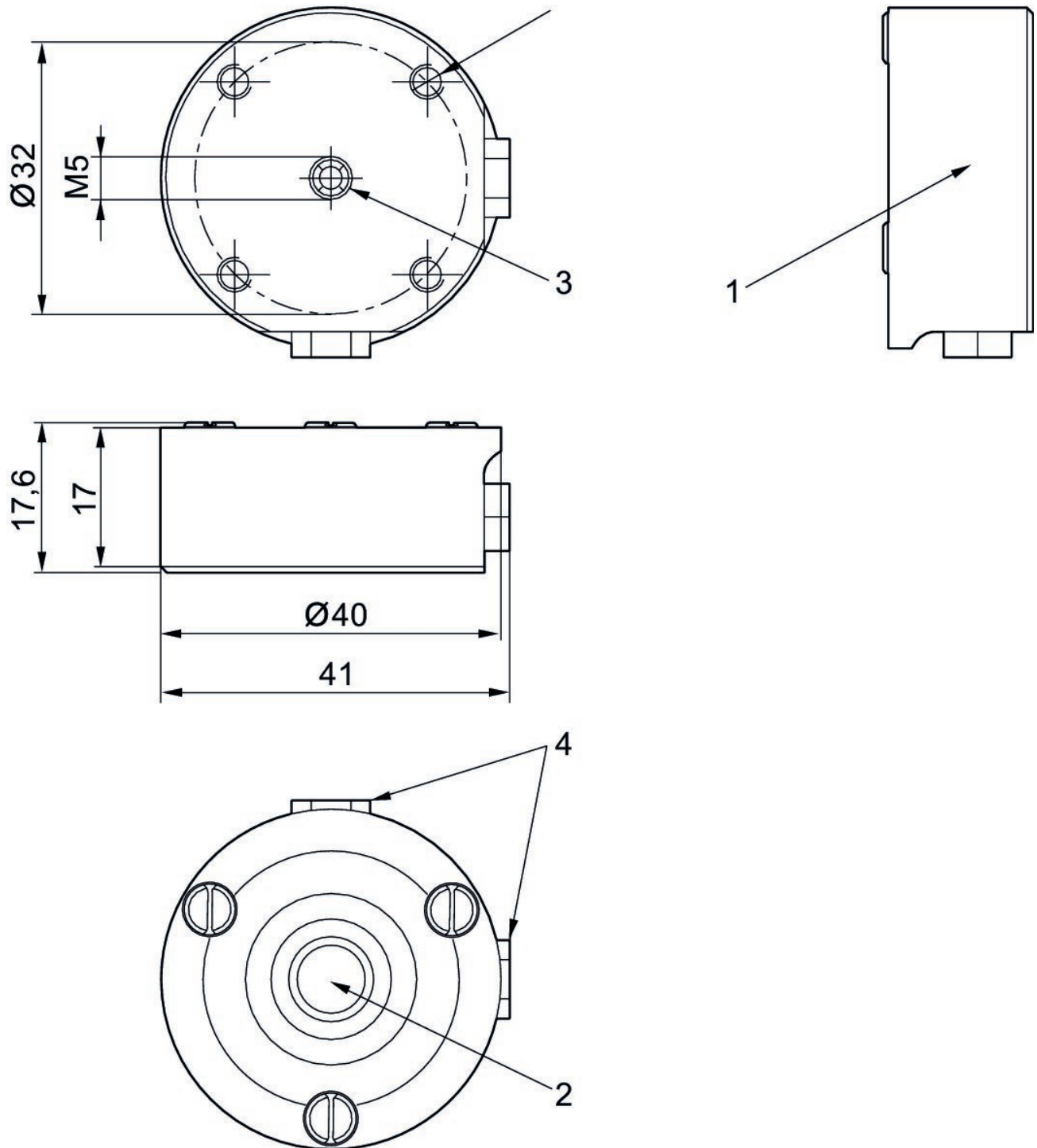
Non-contact transport system, Series NCT-PK

series NCT

R412014869

2024-05-17

Ø 40



1) Stop 2) Nozzle 3) Compressed air connection 4) Alternative compressed air connection with blanking screw

Dimensions

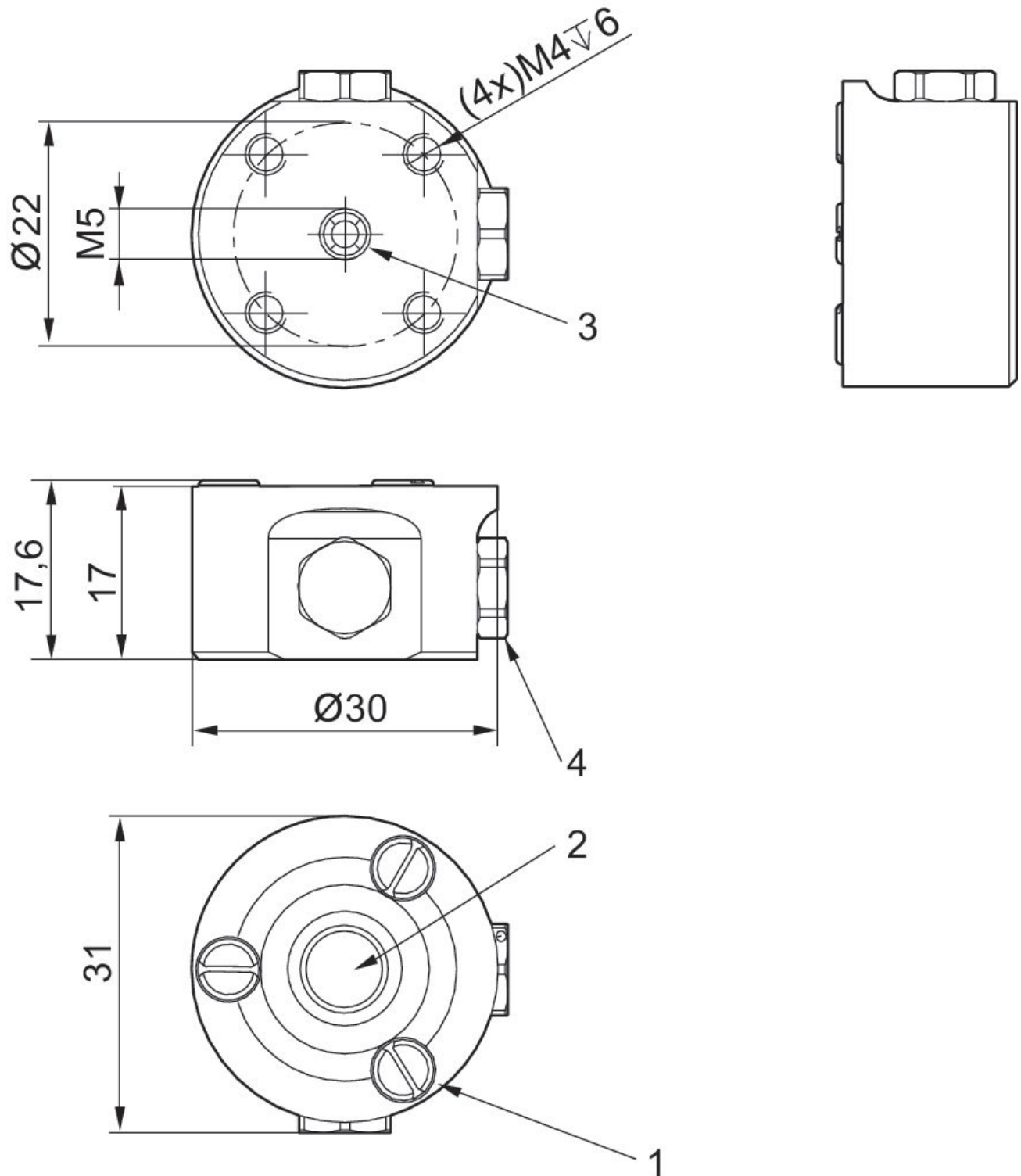
Non-contact transport system, Series NCT-PK

series NCT

R412014869

2024-05-17

Ø 30



1) Stop 2) Nozzle 3) Compressed air connection 4) Alternative compressed air connection with blanking screw

Dimensions

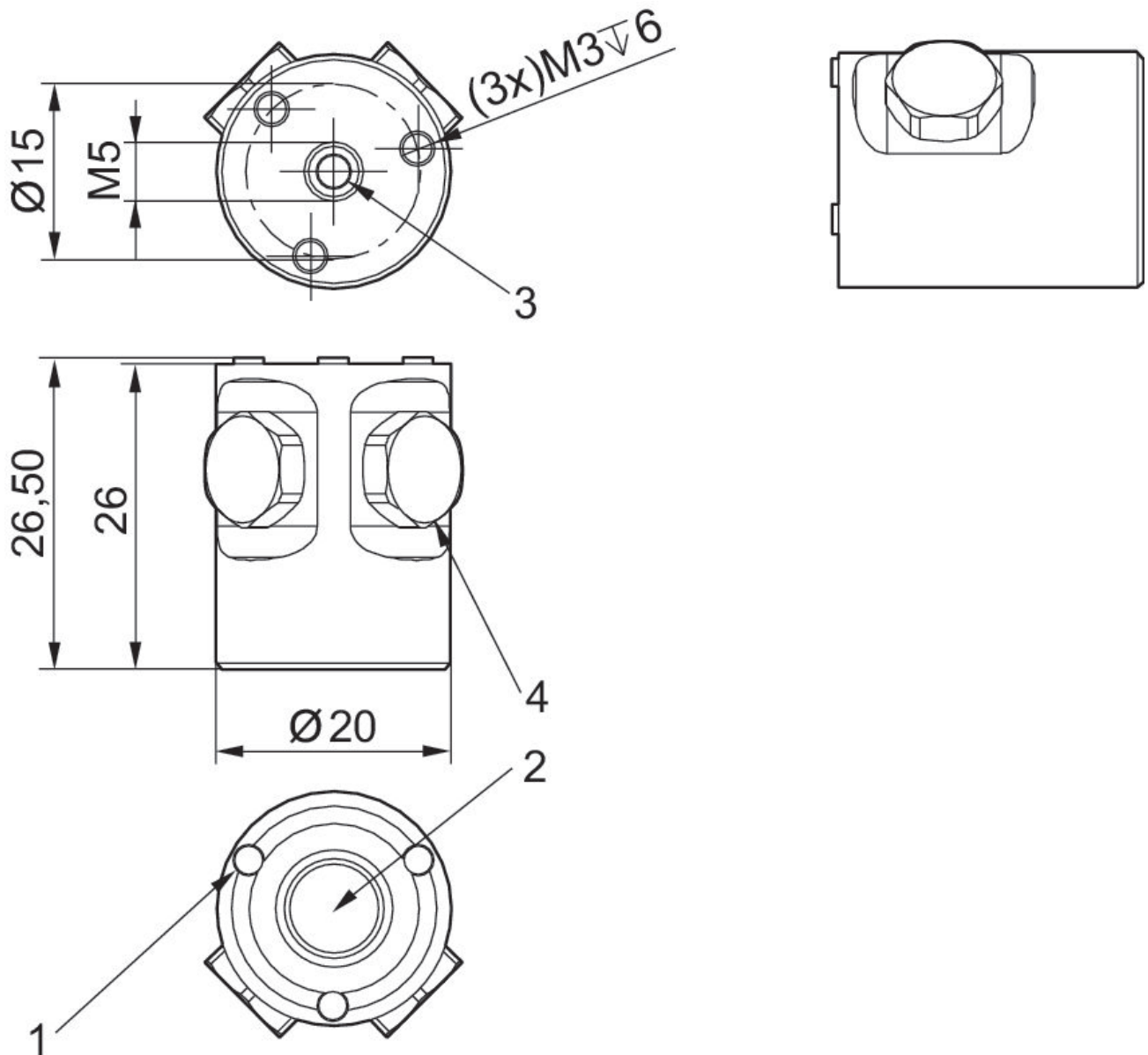
Non-contact transport system, Series NCT-PK

series NCT

R412014869

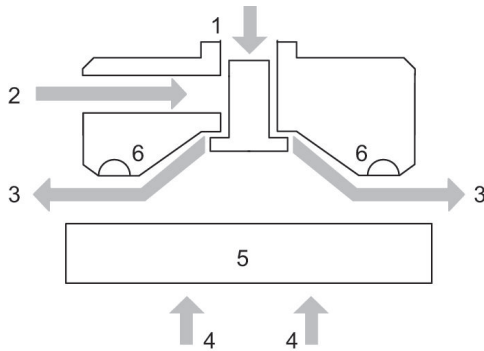
2024-05-17

Ø 20



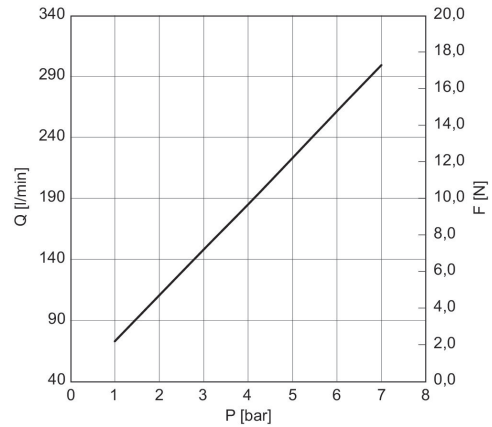
1) Stop 2) Nozzle 3) Compressed air connection 4) Alternative compressed air connection with blanking screw

Principle of operation

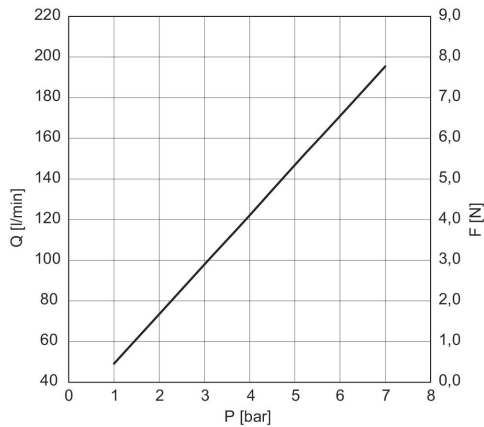


1) Compressed air connection 2) Alternative compressed air connection 3) Air flow 4) Lifting force 5) Object 6) Stop

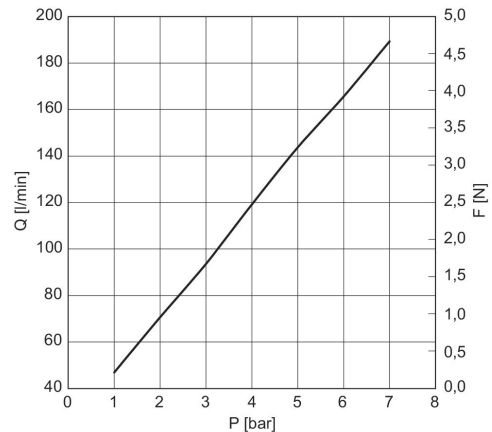
Lifting force F and air consumption Q depending on working pressure p Ø 60



Lifting force F and air consumption Q depending on working pressure p Ø 40



Lifting force F and air consumption Q depending on working pressure p Ø 30



Lifting force F and air consumption Q
depending on working pressure p
Ø 20

