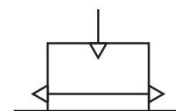
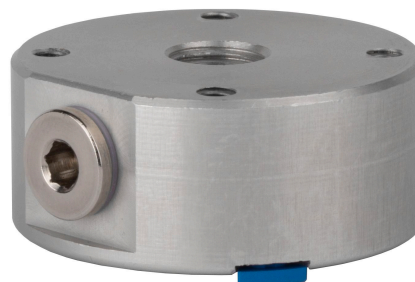


## AVENTICS Series NCT Non-contact transport system

AVENTICS Series NCT non-contact transport systems make for a unique gripping experience: The floating suction pads in the NCT Series are masterful in sensitively handling delicate surfaces and difficult-to-grasp materials in a virtually non-contact and extremely gentle process. Handling with NCT is even possible with a large degree of perforation, contaminated, wet, and dusty surfaces, or soft materials.



### Technical data

|                                    |                               |
|------------------------------------|-------------------------------|
| Industry                           | Industrial                    |
| Compressed air connection          | M5                            |
| Lifting force at [[5] bar]         | 2.5 N                         |
| Diameter                           | 20 mm                         |
| Type                               | Bernoulli principle           |
| Air consumption at [[5] bar]       | 96 l/min                      |
| Min. working pressure              | 1 bar                         |
| Max. working pressure              | 6 bar                         |
| Min. ambient temperature           | 5 °C                          |
| Max. ambient temperature           | 60 °C                         |
| Medium                             | Compressed air                |
| Min. oil content of compressed air | 0 mg/m <sup>3</sup>           |
| Max. particle size                 | 40 µm                         |
| Housing material                   | Aluminum                      |
| Surface housing                    | anodized                      |
| Material stop                      | High-temperature material HT1 |
| Nozzle material                    | Stainless Steel               |
| Material blanking screw            | Brass                         |
| Seal material                      | Nitrile butadiene rubber      |

# Non-contact transport system, Series NCT-AL

R412010372

series NCT

2024-05-17

---

Weight

0.013 kg

Part No.

R412010372

# Non-contact transport system, Series NCT-AL

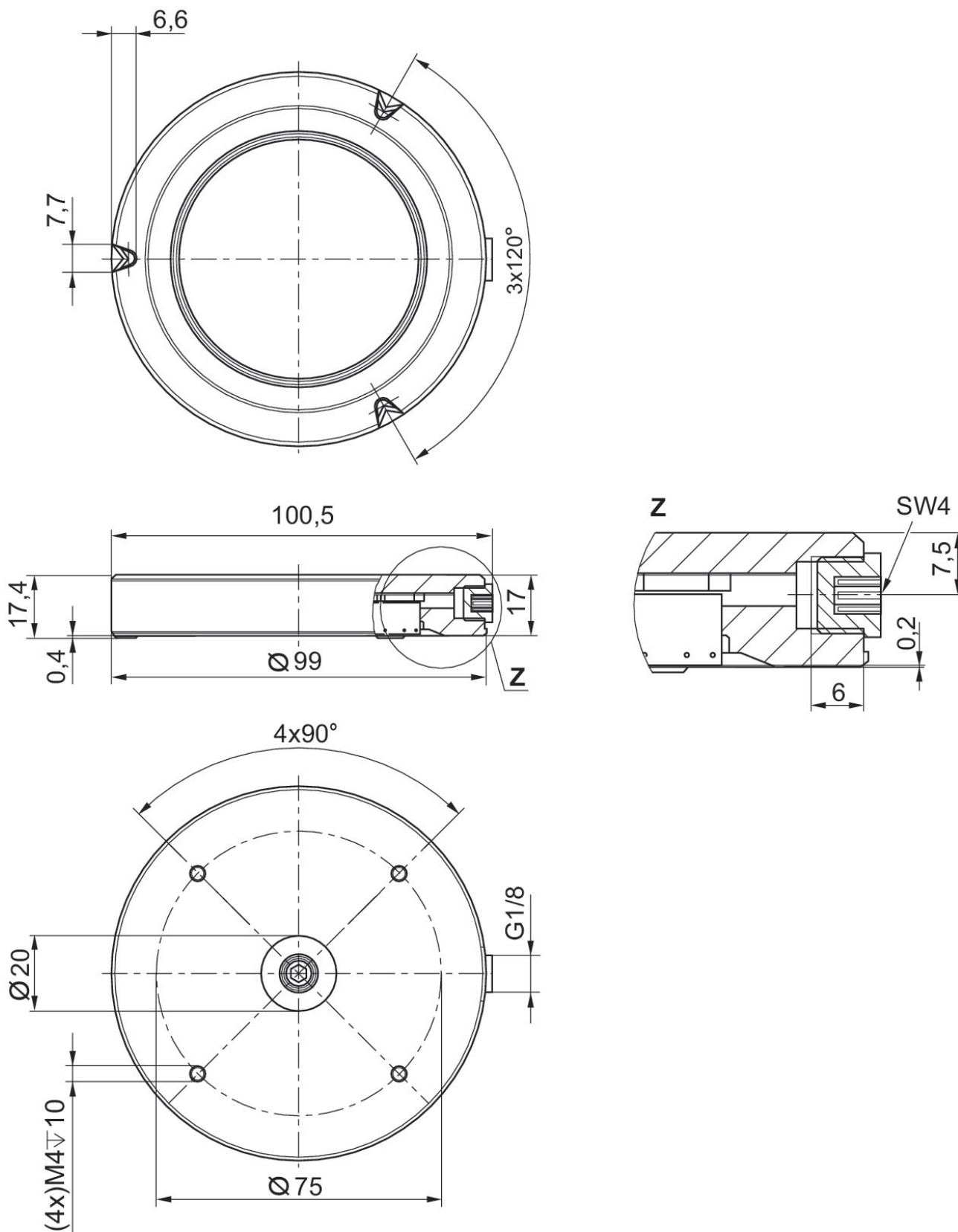
series NCT

R412010372

2024-05-17

## Dimensions

Ø 100



# Non-contact transport system, Series NCT-AL

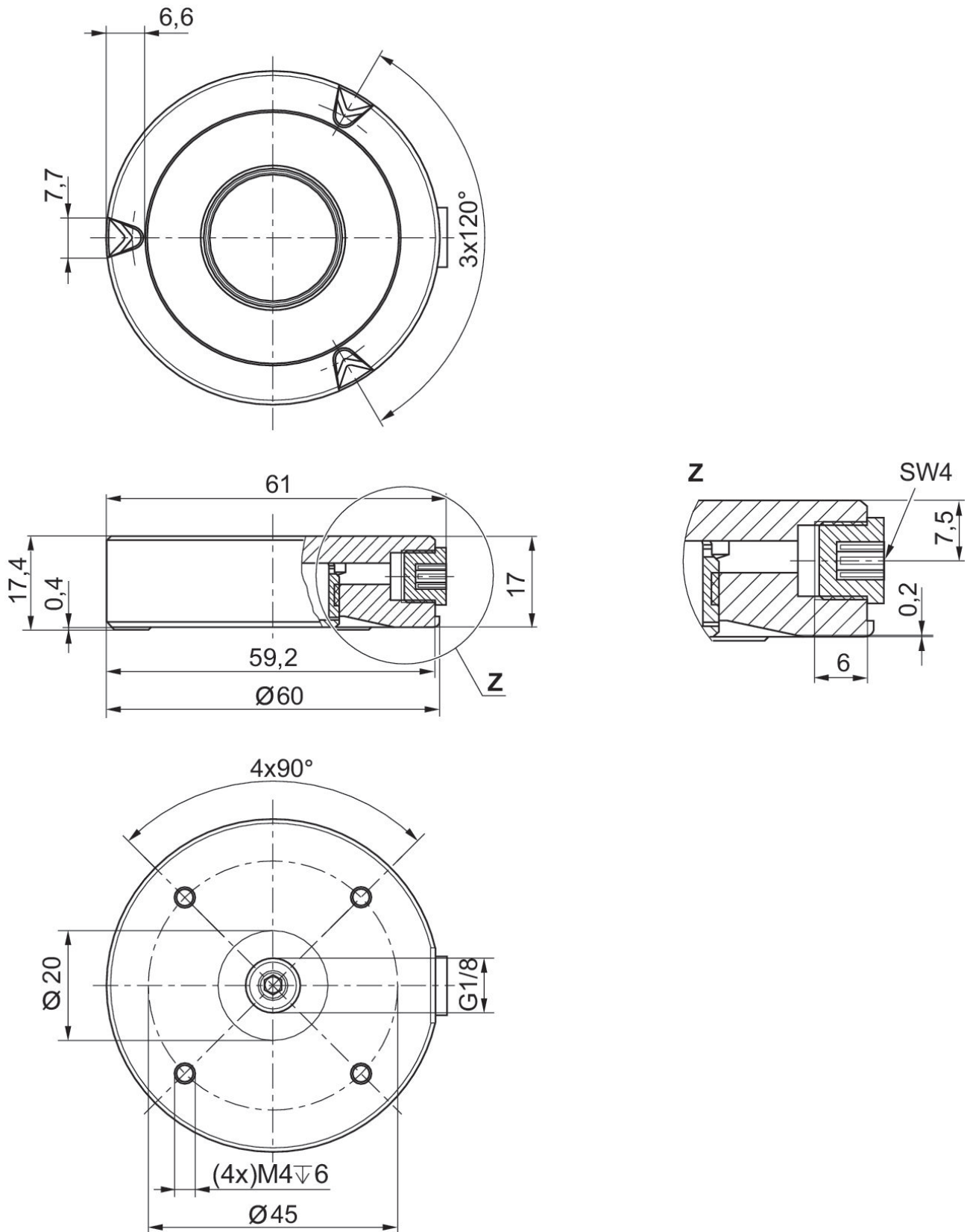
series NCT

R412010372

2024-05-17

## Dimensions

Ø 60



# Non-contact transport system, Series NCT-AL

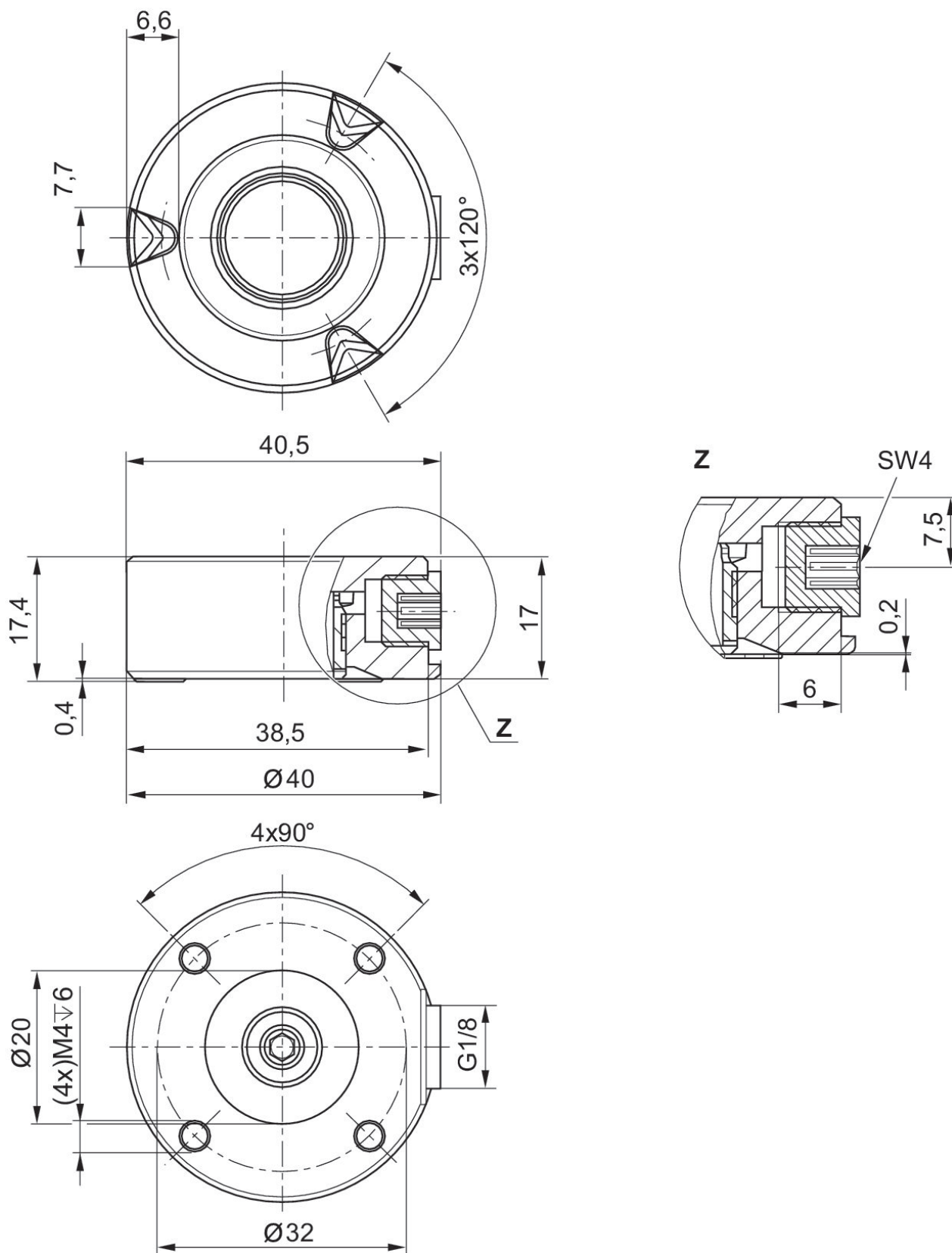
series NCT

R412010372

2024-05-17

## Dimensions

Ø 40



# Non-contact transport system, Series NCT-AL

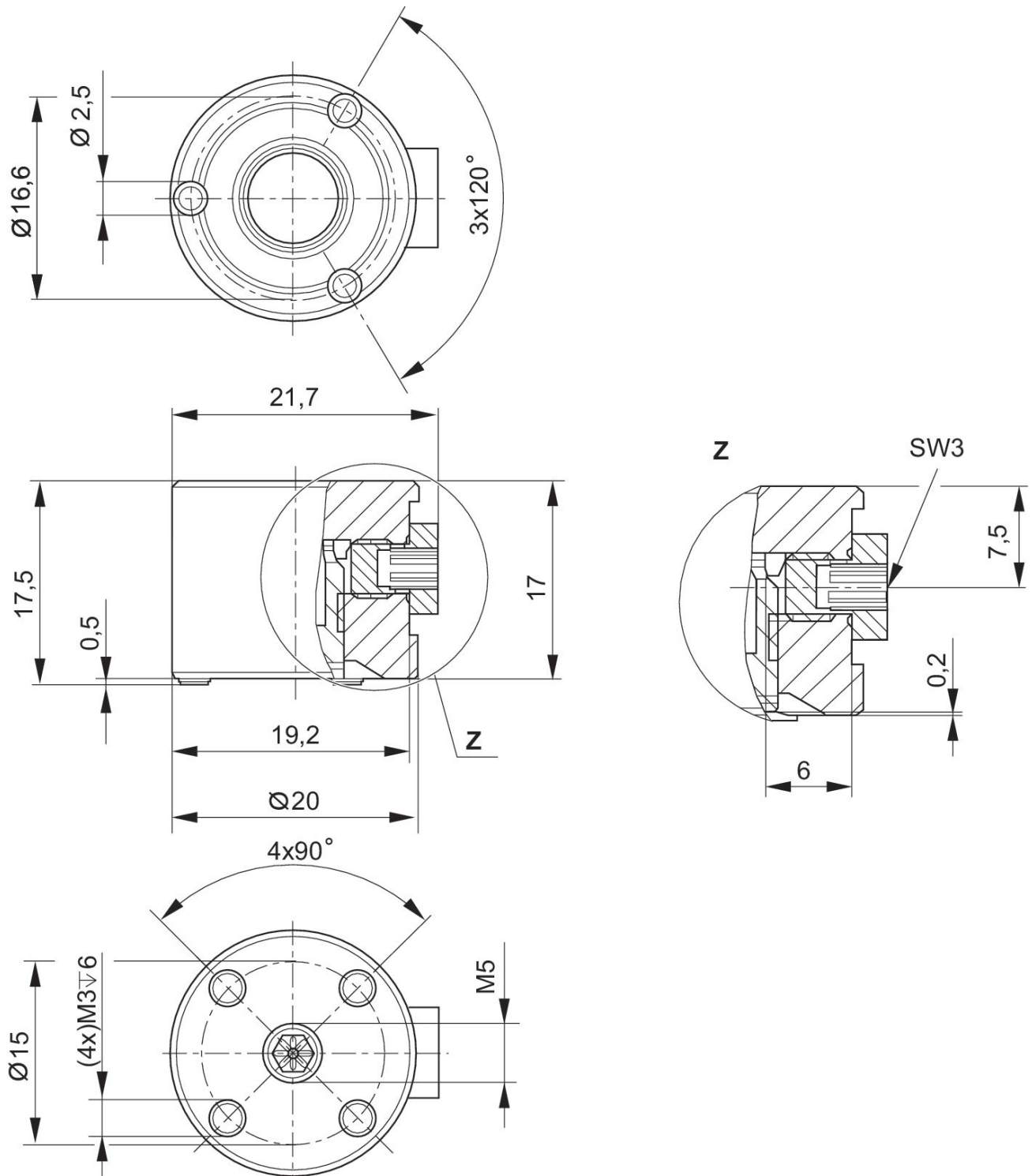
series NCT

R412010372

2024-05-17

## Dimensions

Ø 20



# Non-contact transport system, Series NCT-AL

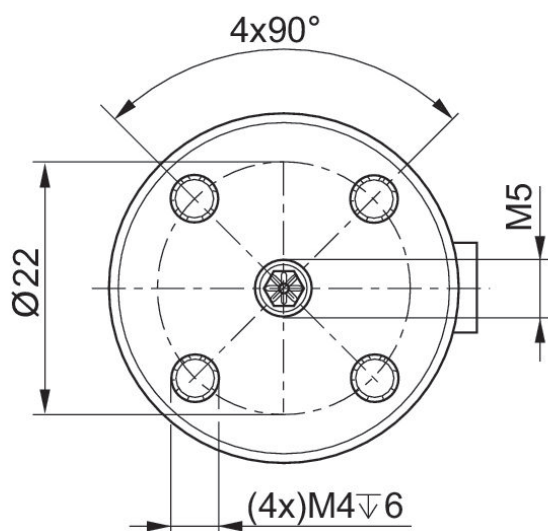
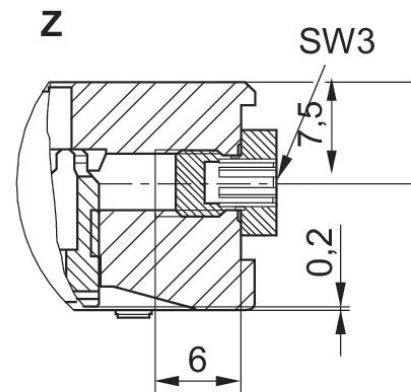
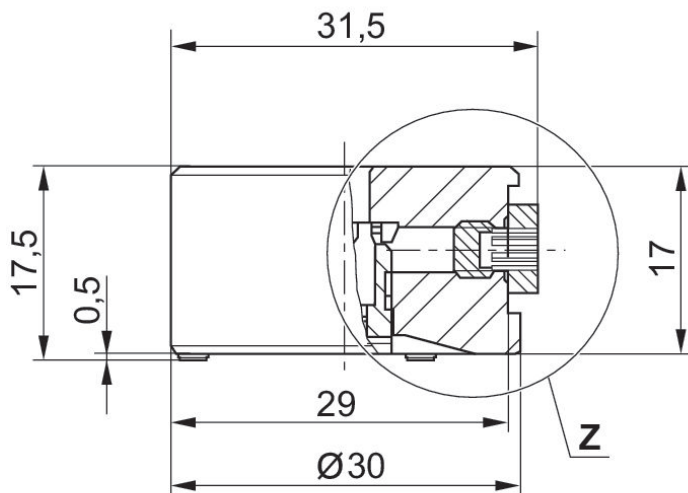
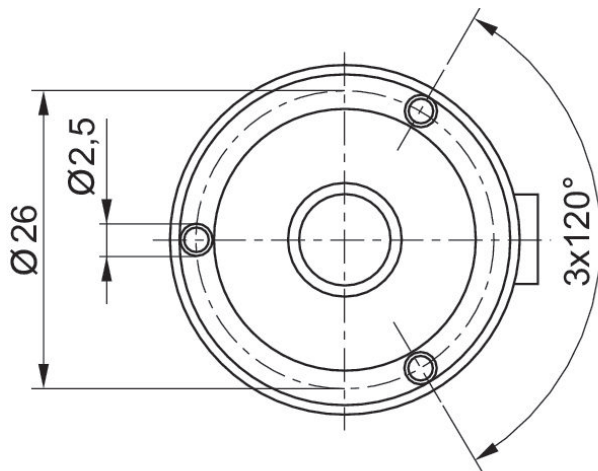
series NCT

R412010372

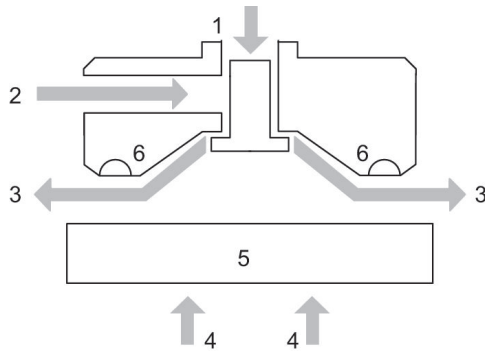
2024-05-17

## Dimensions

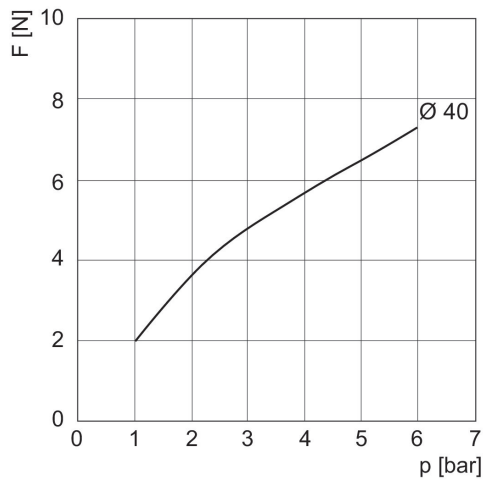
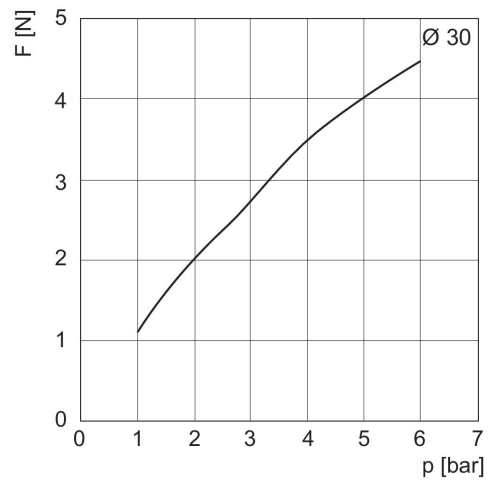
Ø 30



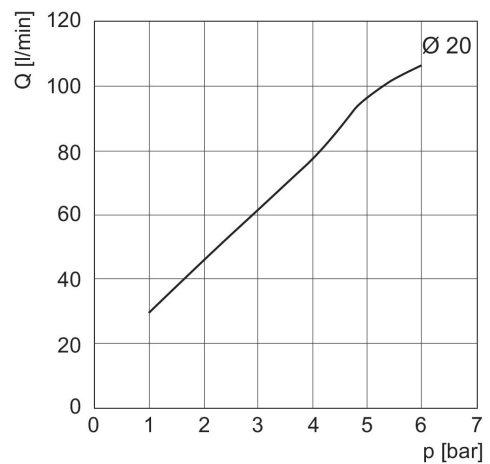
## Principle of operation



1) Compressed air connection 2) Alternative compressed air connection 3) Air flow 4) Lifting force 5) Object 6) Stop



## Air consumption Q depending on working pressure p





Lifting force  $F$  dependent on working pressure  $p$

