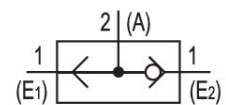


Shuttle valves (OR)



Technical data

Industry	Industrial
Sealing principle	Soft seal
Type	Poppet valve
Medium	Compressed air
Max. particle size	5 µm
Min. ambient temperature	0 °C
Max. ambient temperature	80 °C
Min. medium temperature	0 °C
Max. medium temperature	80 °C
Min. oil content of compressed air	0 mg/m ³
Max. oil content of compressed air	1 mg/m ³
Logic function	Shuttle valves (OR)
Connection type	Pipe connection
Compressed air connection input	M5
Compressed air connection output	M5
Nominal flow Q _n	80 l/min
Min. working pressure	1 bar
Max. working pressure	10 bar
Weight	0.011 kg

Shuttle valves (OR)

0821000004

Logic valves

2024-06-07

Housing material	Polyamide
Seal material	Acrylonitrile butadiene rubber
Material threaded bushing	Brass
Part No.	0821000004

Technical information

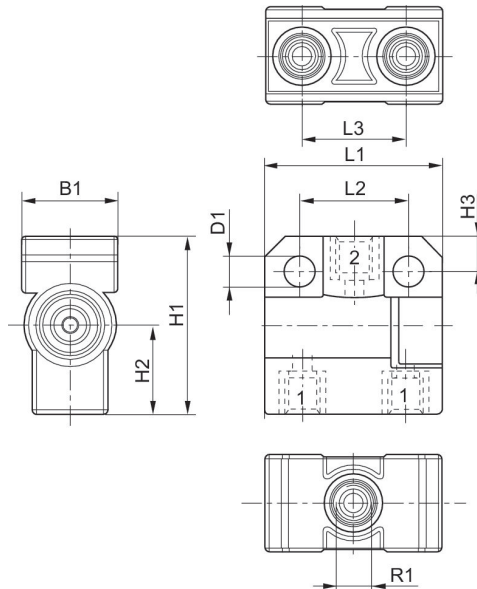
The min. control pressure must be adhered to, since otherwise faulty switching and valve failure may result!

The pressure dew point must be at least 15 °C less than ambient and medium temperature and may not exceed 3 °C.

The oil content of compressed air must remain constant during the life cycle.

Use only the approved oils from AVENTICS. Further information can be found in the “Technical information” document (available in <https://www.emerson.com/en-us/support>).

Dimensions



Part No.	R1	D1	L1	L2	L3	H1	H2	H3	B1
0821000004	M5	4.3	26	16	15	26	13	5	14

Part No.	*)
0821000004	5

*) = depth of thread