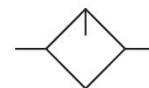


0821301704

AVENTICS Series NL1 Air Preparation Units

The AVENTICS Series NL maintenance units are suitable for all areas: as individual components or as assembled maintenance units, for centralized or decentralized compressed air preparation, in compact or powerful versions, for use in high or low temperatures. This line offers a complete, customizable compressed air preparation technology. It includes an option to combine every component in the Series to achieve the desired function, making it possible to adjust the components precisely to the application requirements.



Technical data

Industry	Industrial
Parts	Lubricator
Reservoir	reservoir, polycarbonate, without protective guard
Compressed air connection	G 1/4
Nominal flow Q _n	1000 l/min
Mounting orientation	vertical
Min. working pressure	0.5 bar
Max. working pressure	16 bar
Min. ambient temperature	-10 °C
Max. ambient temperature	60 °C
Medium	Compressed air Neutral gases
Type of filling	Manual oil filling
Lubricator reservoir volume	35 cm ³
Oil dosing at 1000 l/min	10-20 drops
Function	Micro oil-mist lubricator
Function	Can be assembled into blocks
Weight	0.23 kg

0821301704

Material

Housing material	Die cast zinc
Seal material	Acrylonitrile butadiene rubber
Material reservoir	Polycarbonate
Part No.	0821301704

Technical information

The pressure dew point must be at least 15 °C less than ambient and medium temperature and may not exceed 3 °C.

Only approx. 10% of the preset drip quantity enters the compressed air system.

oil filling not possible during operation.

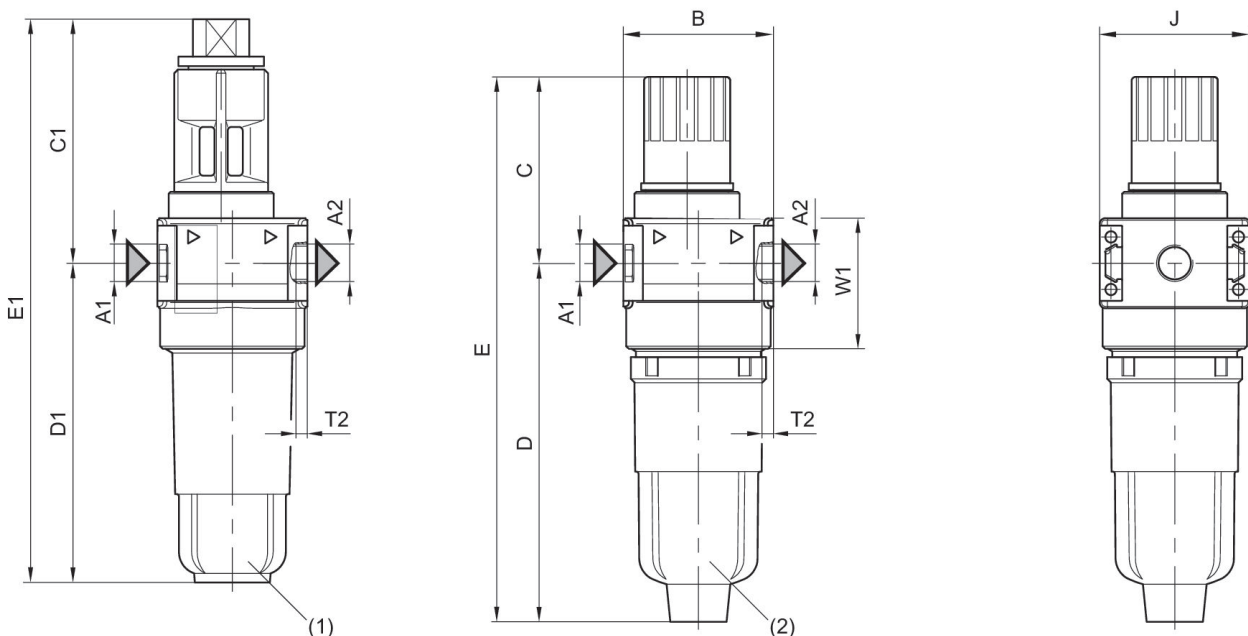
Nominal flow Q_n with secondary pressure $p_2 = 6$ bar at $\Delta p = 1$ bar

Note: Polycarbonate reservoirs are susceptible to solvents, supplementary information can be found at "Customer information".

A change in the flow direction (from air supply on the left to air supply on the right) occurs by rotating installation by 180° about the vertical axis. Please see the operating instructions for further details.

Metal protective guard can be retrofitted for all polycarbonate reservoirs

Dimensions



A1 = input A2 = output

1) Metal reservoir

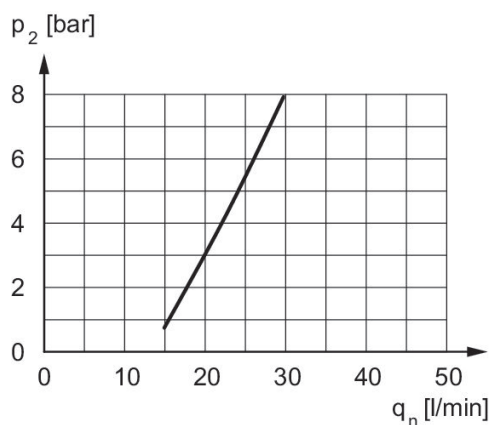
2) PC reservoir

Dimensions in mm

Part No. G 1/8	A1	A2	B	C	C1	D	D1	E	E1
0821301702	G 1/8	G 1/8	40	50	65	95.5	85	145.5	150
0821301703	G 1/8	G 1/8	40	50	65	95.5	85	145.5	150
0821301704	G 1/4	G 1/4	40	50	65	95.5	85	145.5	150
0821301705	G 1/4	G 1/4	40	50	65	95.5	85	145.5	150

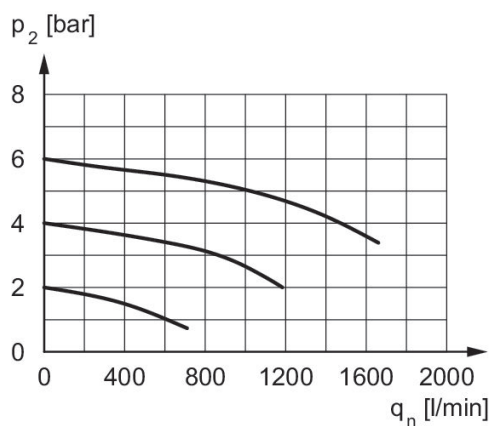
Part No. G 1/8	J	T2	W1
0821301702	40	8	35
0821301703	40	8	35
0821301704	40	8	35
0821301705	40	8	35

minimum flow rate curve (flow rate necessary for the correct functioning of the lubricator)



p2 = secondary pressure qnmin. = min. nominal flow

Flow rate characteristic, p2 = 0,05 - 7 bar



p2 = secondary pressure qn = nominal flow