

0821301702

Material

Housing material	Die cast zinc
Seal material	Acrylonitrile butadiene rubber
Material reservoir	Polycarbonate
Part No.	0821301702

Technical information

The pressure dew point must be at least 15 °C less than ambient and medium temperature and may not exceed 3 °C.

Only approx. 10% of the preset drip quantity enters the compressed air system.

oil filling not possible during operation.

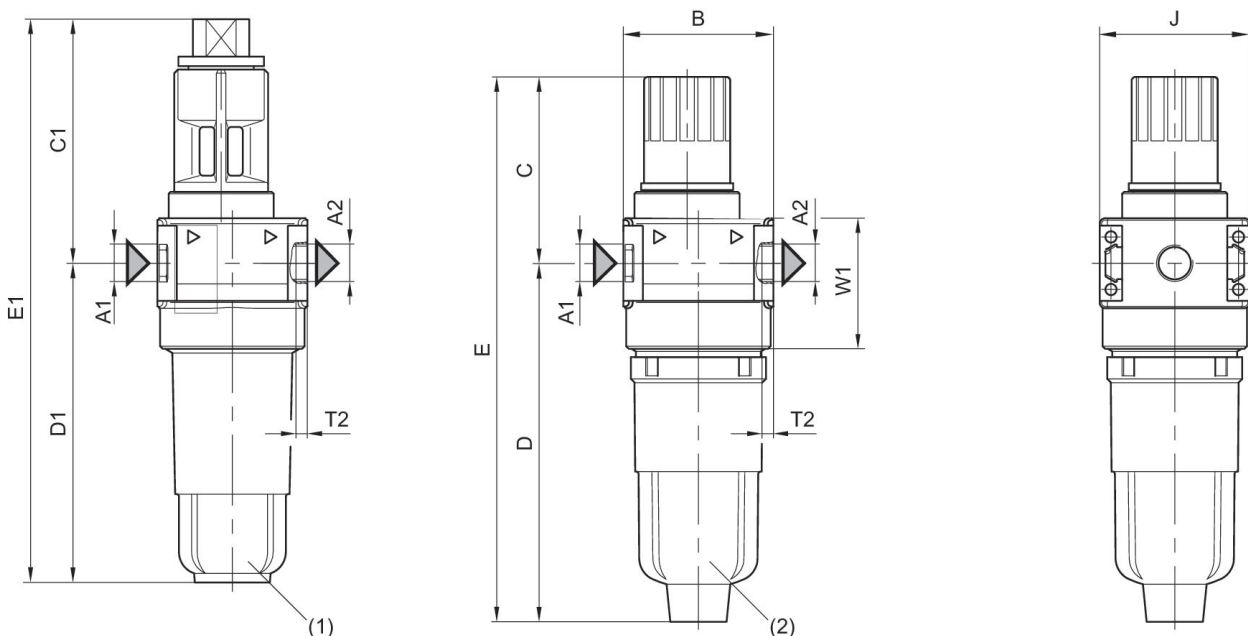
Nominal flow Q_n with secondary pressure $p_2 = 6$ bar at $\Delta p = 1$ bar

Note: Polycarbonate reservoirs are susceptible to solvents, supplementary information can be found at "Customer information".

A change in the flow direction (from air supply on the left to air supply on the right) occurs by rotating installation by 180° about the vertical axis. Please see the operating instructions for further details.

Metal protective guard can be retrofitted for all polycarbonate reservoirs

Dimensions



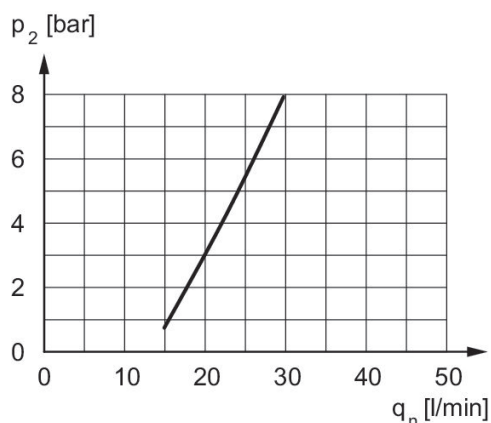
A1 = input A2 = output
 1) Metal reservoir
 2) PC reservoir

Dimensions in mm

Part No. G 1/8	A1	A2	B	C	C1	D	D1	E	E1
0821301702	G 1/8	G 1/8	40	50	65	95.5	85	145.5	150
0821301703	G 1/8	G 1/8	40	50	65	95.5	85	145.5	150
0821301704	G 1/4	G 1/4	40	50	65	95.5	85	145.5	150
0821301705	G 1/4	G 1/4	40	50	65	95.5	85	145.5	150

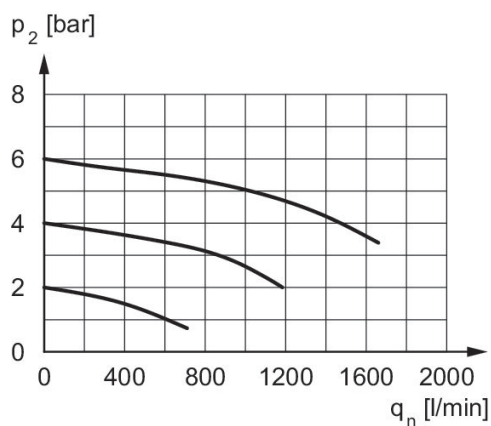
Part No. G 1/8	J	T2	W1
0821301702	40	8	35
0821301703	40	8	35
0821301704	40	8	35
0821301705	40	8	35

minimum flow rate curve (flow rate necessary for the correct functioning of the lubricator)



p2 = secondary pressure qnmin. = min. nominal flow

Flow rate characteristic, p2 = 0,05 - 7 bar



p2 = secondary pressure qn = nominal flow