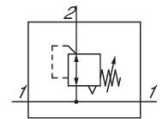


AVENTICS Series NL1 Air Preparation Units

The AVENTICS Series NL maintenance units are suitable for all areas: as individual components or as assembled maintenance units, for centralized or decentralized compressed air preparation, in compact or powerful versions, for use in high or low temperatures. This line offers a complete, customizable compressed air preparation technology. It includes an option to combine every component in the Series to achieve the desired function, making it possible to adjust the components precisely to the application requirements.



Technical data

Industry

Industrial

Parts

Pressure regulator with continuous pressure supply

Pressure gauge

without pressure gauge

Mounting orientation

Any

Regulator type

Diaphragm-type pressure regulator

Port

G 1/4

Nominal flow Qn

1350 l/min

Min. regulation range

0.5 bar

Max. regulation range

10 bar

Min. working pressure

0.5 bar

Max. working pressure

16 bar

Min. ambient temperature

-10 °C

Max. ambient temperature

60 °C

Regulator function

with relieving air exhaust

Regulator type

Can be assembled into blocks

Pressure supply

double

with continuous pressure supply

with continuous pressure supply

Medium

Compressed air

Neutral gases

Pressure regulator, Series NL1-RGS-...-DS

Series NL1

0821300713

2024-04-23

Recommended pre-filtering	5 µm
Weight	0.26 kg

Material

Housing material	Die cast zinc
Part No.	0821300713

Technical information

The pressure dew point must be at least 15 °C less than ambient and medium temperature and may not exceed 3 °C.

Nominal flow Q_n with secondary pressure $p_2 = 6$ bar at $\Delta p = 1$ bar

The rear pressure gauge connection on the pressure regulator is closed with a blanking plug, the front connection is open. Depending on the customer application, a second blanking plug may be necessary. Please order separately (see accessories).

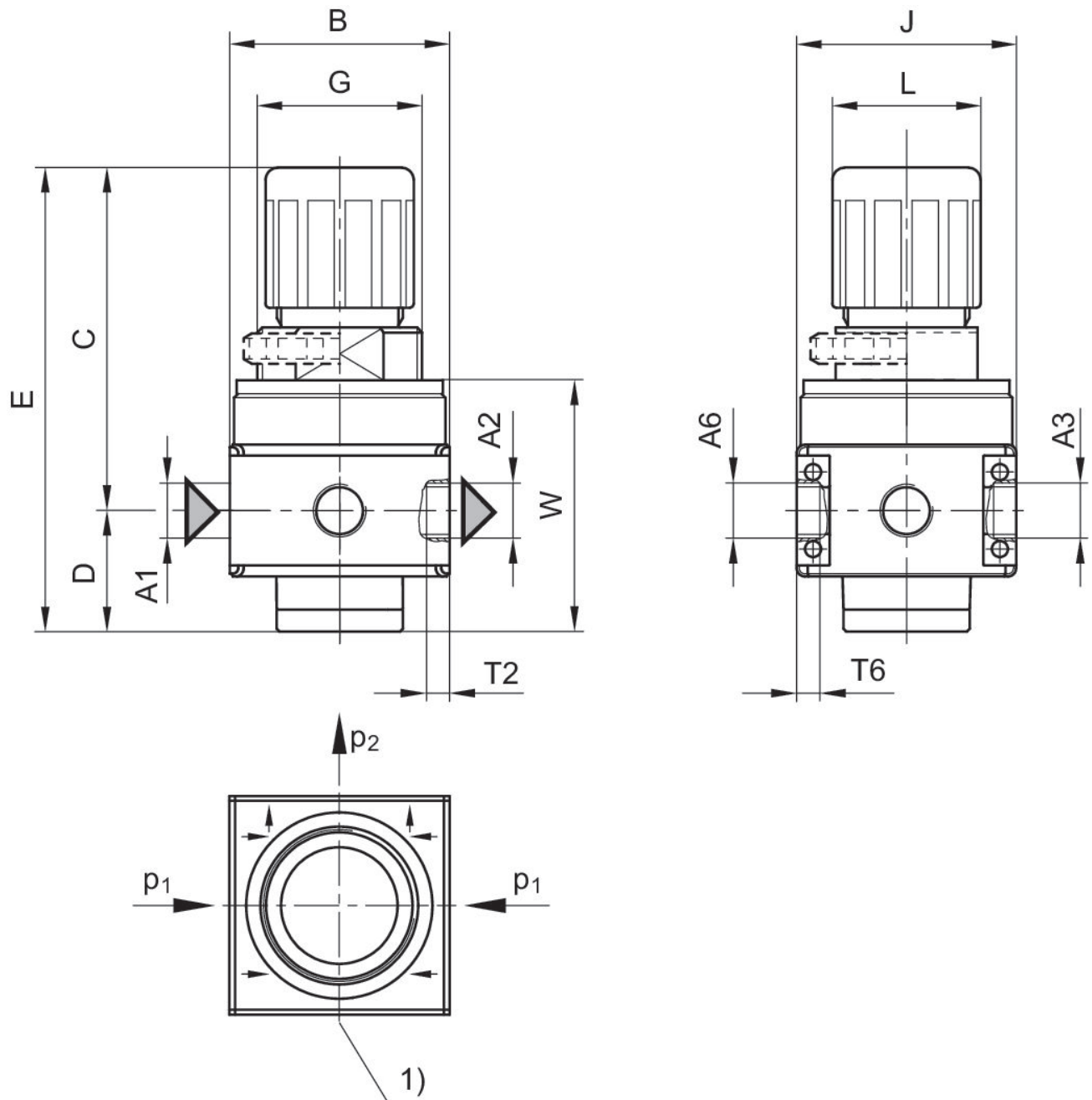
Relieving exhaust (≤ 0.3 bar over set pressure)

With rear exhaust (>3 bar)

lockable regulator head

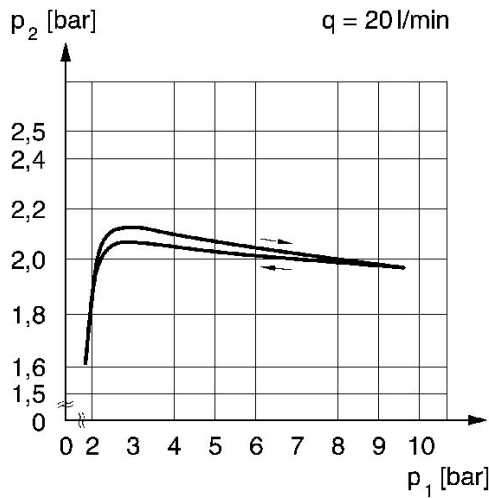
Order pressure gauge separately

Dimensions



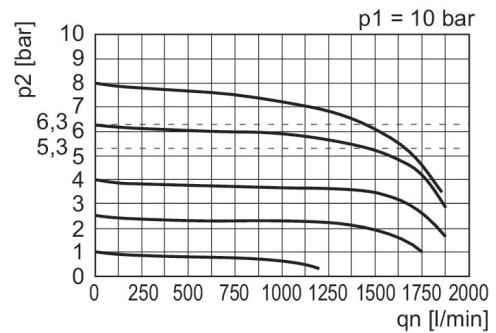
A1 = input
 A2 = output
 1) Pressure gauge connection
 p1 = Working pressure
 p2 = Secondary pressure

Pressure characteristics curve



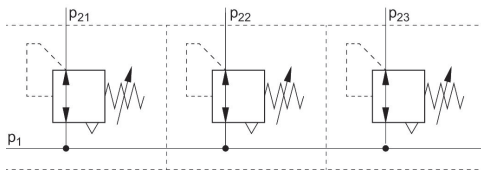
p1 = Working pressure
p2 = Secondary pressure
q = flow rate

Flow rate characteristic (setting range p2: 0.5 - 10 bar)



p1 = Working pressure
p2 = Secondary pressure
qn = Nominal flow

Application example



p1 = Working pressure

Dimensions in mm

Part No.	A1	A2	A3	A6	B	C	D	E	G
0821300711	G 1/4	G 1/4	G 1/8	G 1/4	40	62.5	22	84.5	M30x1,5
0821300712	G 1/4	G 1/4	G 1/8	G 1/4	40	62.5	22	84.5	M30x1,5
0821300713	G 1/4	G 1/4	G 1/8	G 1/4	40	62.5	22	84.5	M30x1,5

Part No.	J	K	L	M	T2	T6	W
0821300711	40	43.5	27	3	8	6	43.5
0821300712	40	43.5	27	3	8	6	43.5
0821300713	40	43.5	27	3	8	6	43.5