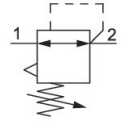


AVENTICS Series NL1 Air Preparation Units



The AVENTICS Series NL maintenance units are suitable for all areas: as individual components or as assembled maintenance units, for centralized or decentralized compressed air preparation, in compact or powerful versions, for use in high or low temperatures. This line offers a complete, customizable compressed air preparation technology. It includes an option to combine every component in the Series to achieve the desired function, making it possible to adjust the components precisely to the application requirements.

Technical data

Industry	Industrial
Function	Standard pressure regulator
Parts	Pressure regulator
Pressure gauge	without pressure gauge
Mounting orientation	Any
Regulator type	Diaphragm-type pressure regulator
Port	G 1/8
Nominal flow Qn	1000 l/min
Min. regulation range	0.5 bar
Max. regulation range	10 bar
Min. working pressure	0.5 bar
Max. working pressure	16 bar
Min. ambient temperature	-10 °C
Max. ambient temperature	60 °C
Activation	Mechanical
Regulator function	with relieving air exhaust
Regulator type	Can be assembled into blocks
Pressure supply	single
Medium	Compressed air Neutral gases
Recommended pre-filtering	5 µm
Weight	0.24 kg

Material

Housing material	Die cast zinc
Seal material	Acrylonitrile butadiene rubber
Part No.	0821302727

Technical information

The pressure dew point must be at least 15 °C less than ambient and medium temperature and may not exceed 3 °C.

Nominal flow Q_n with secondary pressure $p_2 = 6$ bar at $\Delta p = 1$ bar

The rear pressure gauge connection on the pressure regulator is closed with a blanking plug, the front connection is open. Depending on the customer application, a second blanking plug may be necessary. Please order separately (see accessories).

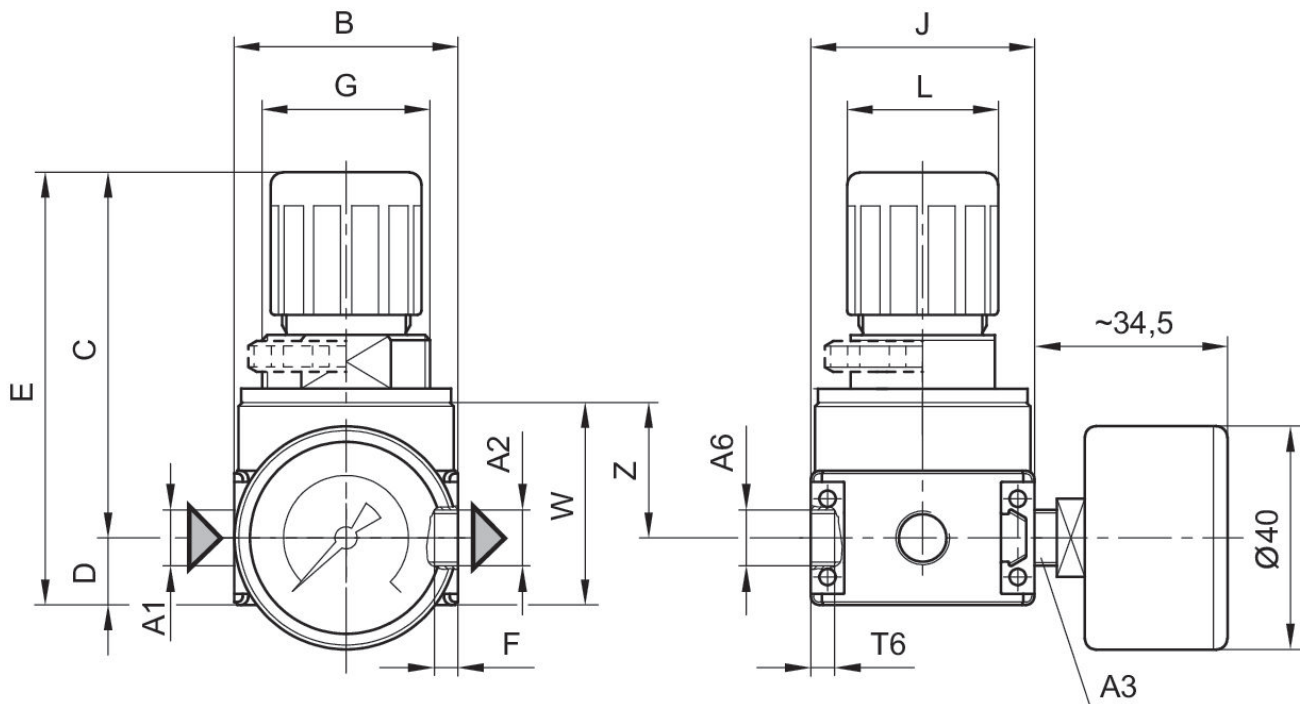
A change in the flow direction (from air supply on the left to air supply on the right) occurs by rotating installation by 180° about the vertical axis. Please see the operating instructions for further details.

Relieving exhaust (≤ 0.3 bar over set pressure)

With rear exhaust (>3 bar)

lockable regulator head

Dimensions



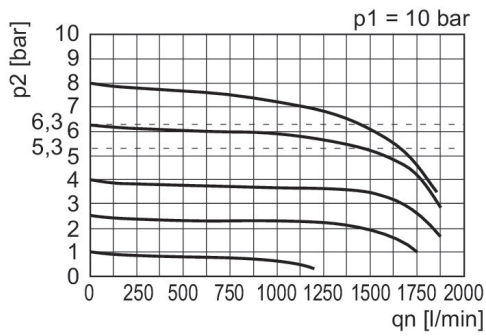
- A1 = input
- A2 = output
- A3 = pressure gauge connection
- A6 = ventilation port

Dimensions in mm

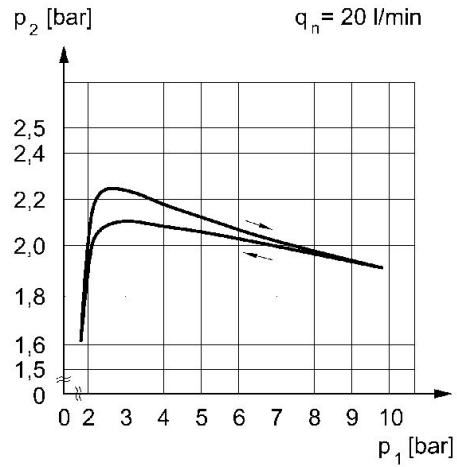
Part No.	A1	A2	A3	A6	B	C	D	E	G
0821302728	G 1/8	G 1/8	G 1/8	G 1/8	40	65.5	12	77.5	M30x1,5
0821302729	G 1/8	G 1/8	G 1/8	G 1/8	40	65.5	12	77.5	M30x1,5
0821302730	G 1/8	G 1/8	G 1/8	G 1/8	40	65.5	12	77.5	M30x1,5
0821302725	G 1/8	G 1/8	G 1/8	G 1/8	40	65.5	12	77.5	M30x1,5
0821302726	G 1/8	G 1/8	G 1/8	G 1/8	40	65.5	12	77.5	M30x1,5
0821302727	G 1/8	G 1/8	G 1/8	G 1/8	40	65.5	12	77.5	M30x1,5
0821302734	G 1/4	G 1/4	G 1/8	G 1/8	40	65.5	12	77.5	M30x1,5
0821302735	G 1/4	G 1/4	G 1/8	G 1/8	40	65.5	12	77.5	M30x1,5
0821302736	G 1/4	G 1/4	G 1/8	G 1/8	40	65.5	12	77.5	M30x1,5
0821302731	G 1/4	G 1/4	G 1/8	G 1/8	40	65.5	12	77.5	M30x1,5
0821302732	G 1/4	G 1/4	G 1/8	G 1/8	40	65.5	12	77.5	M30x1,5
0821302733	G 1/4	G 1/4	G 1/8	G 1/8	40	65.5	12	77.5	M30x1,5

Part No.	J	L	T2	T6	W	Z
0821302728	40	27	8	6	36.2	24.2
0821302729	40	27	8	6	36.2	24.2
0821302730	40	27	8	6	36.2	24.2
0821302725	40	27	8	6	36.2	24.2
0821302726	40	27	8	6	36.2	24.2
0821302727	40	27	8	6	36.2	24.2
0821302734	40	27	8	6	36.2	24.2
0821302735	40	27	8	6	36.2	24.2
0821302736	40	27	8	6	36.2	24.2
0821302731	40	27	8	6	36.2	24.2
0821302732	40	27	8	6	36.2	24.2
0821302733	40	27	8	6	36.2	24.2

Flow rate characteristic (setting range p_2 : 0.5 - 10 bar) Pressure characteristics curve



p_1 = Working pressure
 p_2 = Secondary pressure
 q_n = Nominal flow



p_1 = Working pressure
 p_2 = Secondary pressure
 q_n = Nominal flow