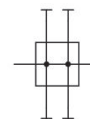


0821300920

AVENTICS Series NL2 Air Preparation Units

The AVENTICS Series NL maintenance units are suitable for all areas: as individual components or as assembled maintenance units, for centralized or decentralized compressed air preparation, in compact or powerful versions, for use in high or low temperatures. This line offers a complete, customizable compressed air preparation technology. It includes an option to combine every component in the Series to achieve the desired function, making it possible to adjust the components precisely to the application requirements.



Technical data

Industry	Industrial
Parts	Distributor
Port	G 1/4
Type	Narrow distributor
Type	Can be assembled into blocks
Version	Distributor 4x
Mounting orientation	Any
Min. working pressure	0 bar
Max. working pressure	16 bar
Min. ambient temperature	-10 °C
Max. ambient temperature	60 °C
Medium	Compressed air Neutral gases
Nominal flow Qn	2700 l/min
Nominal flow Qn 1 to 2	2700 l/min
Nominal flow Qn 1 to 3	2700 l/min
Nominal flow Qn 1 to 4	900 l/min
Nominal flow Qn 1 to 5	2000 l/min
Nominal flow Qn 1 to 6	900 l/min
Weight	0.25 kg

0821300920

Housing material
Material front plate

Die cast zinc
Acrylonitrile butadiene styrene
0821300920

Technical information

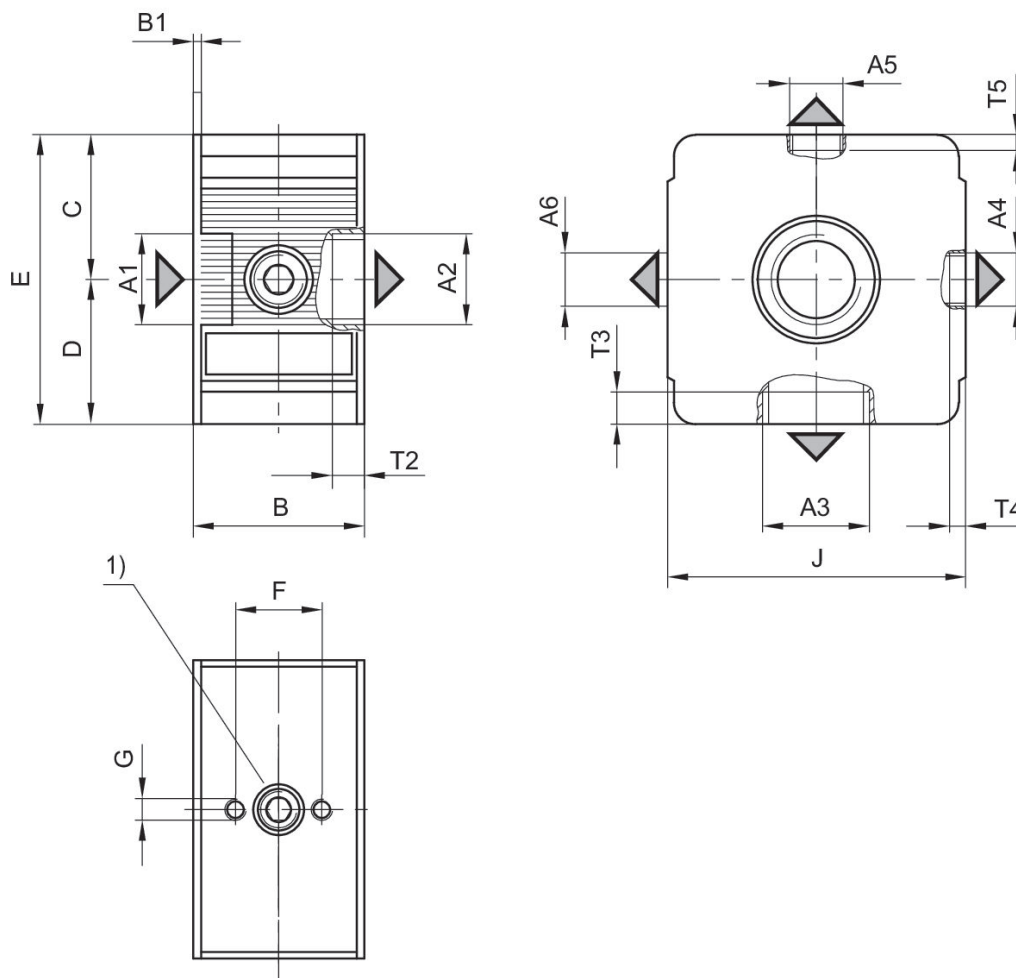
The pressure dew point must be at least 15 °C less than ambient and medium temperature and may not exceed 3 °C.

Nominal flow Q_n with secondary pressure $p_2 = 6 \text{ bar}$ at $\Delta p = 1 \text{ bar}$

A change in the flow direction (from air supply on the left to air supply on the right) occurs by rotating installation by 180° about the vertical axis. Please see the operating instructions for further details.

Suitable for direct mounting of a PE2 and PM1 series pressure sensor (flange version).

Dimensions



A1 = input A2 = output A3 = output A4 = output A5 = output A6 = output
1) hole pattern for mechanical vacuum/pressure switch

Dimensions in mm

Part No.	A1	A2	A3	A4	A5	A6	B	B1	C
0821300920	G 1/4	G 1/4	G 1/4	G 1/4	G 1/8	G 1/4	35	1.5	26

Part No.	D	E	F	G	J	T2	T3	T4	T5
0821300920	26	52	20	M5	47	12	8.5	7	8