

## AVENTICS Series NL2 Air Preparation Units

The AVENTICS Series NL maintenance units are suitable for all areas: as individual components or as assembled maintenance units, for centralized or decentralized compressed air preparation, in compact or powerful versions, for use in high or low temperatures. This line offers a complete, customizable compressed air preparation technology. It includes an option to combine every component in the Series to achieve the desired function, making it possible to adjust the components precisely to the application requirements.



### Technical data

Industry	Industrial
Parts	Microfilter
Reservoir	reservoir, metal, with inspection glass
Port	G 1/4
Filter porosity	0.01 $\mu\text{m}$
Nominal flow Qn	280 l/min
Condensate drain	fully automatic, open without pressure
Min. working pressure	1.5 bar
Max. working pressure	16 bar
Min. ambient temperature	-10 °C
Max. ambient temperature	60 °C
Medium	Compressed air Neutral gases
Max. achievable compressed air class acc. to ISO 8573-1:2010	1 : - : 2
Filter reservoir volume	10 cm <sup>3</sup>
Filter element	exchangeable
Recommended pre-filtering	0.3 $\mu\text{m}$
Weight	0.482 kg
inspection glass	with window

R412010790

---

Mounting orientation	vertical
Type	Can be assembled into blocks

## Material

Housing material	Die cast zinc
Material front plate	Acrylonitrile butadiene styrene
Seal material	Acrylonitrile butadiene rubber
Material threaded bushing	Die cast zinc
Material reservoir	Die cast zinc
Material filter insert	Borosilicate glass fiber
Part No.	R412010790

## Technical information

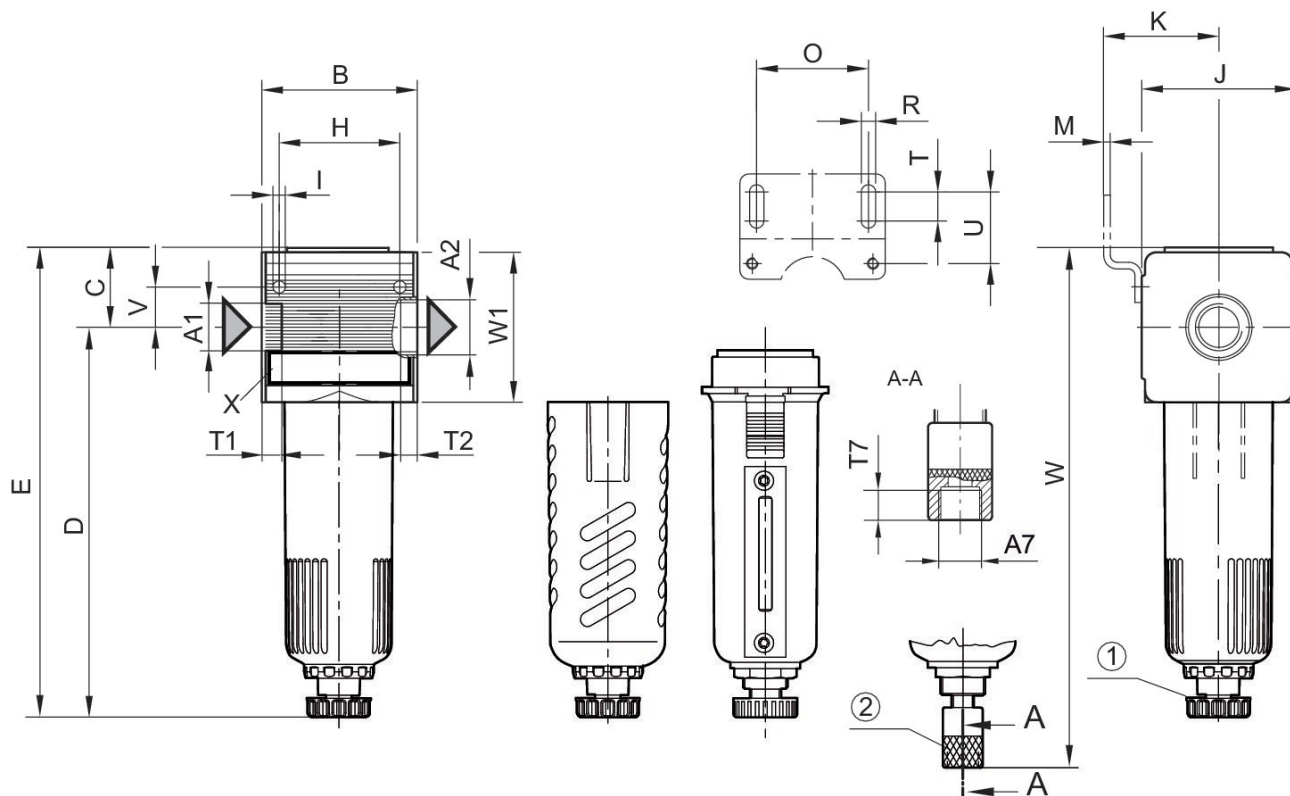
The pressure dew point must be at least 15 °C less than ambient and medium temperature and may not exceed 3 °C.

A change in the flow direction (from air supply on the left to air supply on the right) occurs by rotating installation by 180° about the vertical axis. Please see the operating instructions for further details.

Note: Polycarbonate reservoirs are susceptible to solvents, supplementary information can be found at "Customer information".

Nominal flow  $Q_n$  with secondary pressure  $p_2 = 6$  bar at  $\Delta p = 0,1$  bar

## Dimensions

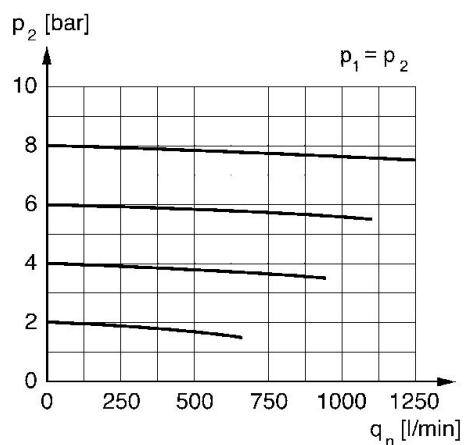


A1 = input A2 = output

A7 = condensate drain

1) Semi-automatic condensate drain 2) fully automatic condensate drain

## Flow rate characteristic, $p_2 = 0,05 - 7$ bar



$p_2$  = secondary pressure  $q_n$  = nominal flow

## Dimensions in mm

Part No.	A1	A2	A7	B	C	D	E	H	I
0821303449	G 1/4	G 1/4	G 1/8	48	27.5	125	152	36	4.4
R412010787	G 1/4	G 1/4	G 1/8	48	27.5	125	152	36	4.4
R412010788	G 1/4	G 1/4	G 1/8	48	27.5	125	152	36	4.4
R412010786	G 1/4	G 1/4	G 1/8	48	27.5	—	—	36	4.4
0821303305	G 1/4	G 1/4	G 1/8	48	27.5	—	—	36	4.4
R412010789	G 1/4	G 1/4	G 1/8	48	27.5	—	—	36	4.4
R412010790	G 1/4	G 1/4	G 1/8	48	27.5	—	—	36	4.4

Part No.	J	K	M	O	R	T	T1	T2	T7
0821303449	47	43.5	3	38	5.4	8	9.5	9.5	8.5
R412010787	47	43.5	3	38	5.4	8	9.5	9.5	8.5
R412010788	47	43.5	3	38	5.4	8	9.5	9.5	8.5
R412010786	47	43.5	3	38	5.4	8	9.5	9.5	8.5
0821303305	47	43.5	3	38	5.4	8	9.5	9.5	8.5
R412010789	47	43.5	3	38	5.4	8	9.5	9.5	8.5
R412010790	47	43.5	3	38	5.4	8	9.5	9.5	8.5

Part No.	U	V	W	W1
0821303449	27.5	12.3	—	52
R412010787	27.5	12.3	—	52
R412010788	27.5	12.3	—	52
R412010786	27.5	12.3	168	52
0821303305	27.5	12.3	168	52
R412010789	27.5	12.3	168	52
R412010790	27.5	12.3	168	52