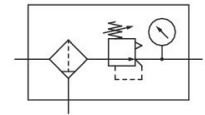


## AVENTICS Series NL2 Air Preparation Units

The AVENTICS Series NL maintenance units are suitable for all areas: as individual components or as assembled maintenance units, for centralized or decentralized compressed air preparation, in compact or powerful versions, for use in high or low temperatures. This line offers a complete, customizable compressed air preparation technology. It includes an option to combine every component in the Series to achieve the desired function, making it possible to adjust the components precisely to the application requirements.



## Technical data

Industry	Industrial
Parts	Filter pressure regulator
Reservoir	reservoir, polycarbonate, without protective guard
Port	G 3/8
Nominal flow Qn	1650 l/min
Filter porosity	5 µm
Condensate drain	fully automatic, open without pressure
Pressure gauge	with pressure gauge
Min. working pressure	2 bar
Max. working pressure	16 bar
Min. ambient temperature	-10 °C
Max. ambient temperature	60 °C
Min. regulation range	0.5 bar
Max. regulation range	10 bar
Lock type	Standard locking, with key
Type	1-part
Type	Can be assembled into blocks
Pressure supply	single
Mounting orientation	vertical

# Filter pressure regulator, Series NL2-FRE

NL2

0821300226

2024-04-23

---

Regulator type	Diaphragm-type pressure regulator
Regulator function	with relieving air exhaust
Filter element	exchangeable
Filter reservoir volume	25 cm <sup>3</sup>
Max. achievable compressed air class acc. to ISO 8573-1:2010	6 : 7 : -
Medium	Compressed air Neutral gases
Weight	0.628 kg

## Material

Housing material	Die cast zinc
Seal material	Acrylonitrile butadiene rubber
Material front plate	Acrylonitrile butadiene styrene
Material reservoir	Polycarbonate
Material filter insert	Polyethylene
Part No.	0821300226

## Technical information

The pressure dew point must be at least 15 °C less than ambient and medium temperature and may not exceed 3 °C.

Nominal flow  $Q_n$  with secondary pressure  $p_2 = 6$  bar at  $\Delta p = 1$  bar

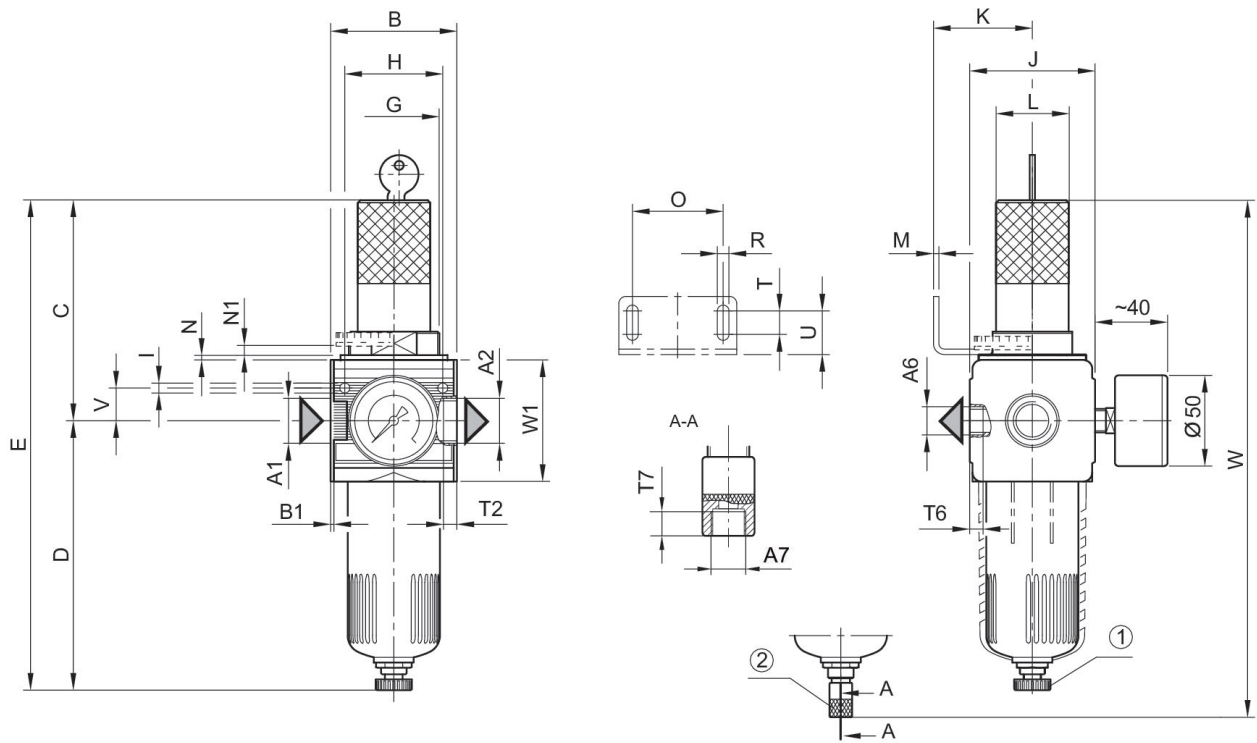
Note: Polycarbonate reservoirs are susceptible to solvents, supplementary information can be found at "Customer information".

A change in the flow direction (from air supply on the left to air supply on the right) occurs by rotating installation by 180° about the vertical axis. Please see the operating instructions for further details.

Also suitable for separation of fluid oil or water due to the design.

The rear pressure gauge connection on the pressure regulator is closed with a blanking plug, the front connection is open. Depending on the customer application, a second blanking plug may be necessary. Please order separately (see accessories).

## Dimensions



A1 = input A2 = output A6 = output

A7 = condensate drain

1) Semi-automatic condensate drain 2) fully automatic condensate drain

## Dimensions in mm

Part No.	A1	A2	A6	A7	B	B1	C	D	E
0821300306	G 1/4	G 1/4	G 1/4	G 1/8	48	1.5	96.5	124.5	221
0821300220	G 1/4	G 1/4	G 1/4	G 1/8	48	1.5	96.5	124.5	221
0821300221	G 1/4	G 1/4	G 1/4	G 1/8	48	1.5	96.5	124.5	221
0821300312	G 1/4	G 1/4	G 1/4	G 1/8	48	1.5	96.5	124.5	221
0821300222	G 1/4	G 1/4	G 1/4	G 1/8	48	1.5	96.5	124.5	221
0821300223	G 1/4	G 1/4	G 1/4	G 1/8	48	1.5	96.5	124.5	221
0821300336	G 3/8	G 3/8	G 1/4	G 1/8	48	1.5	96.5	124.5	221
0821300224	G 3/8	G 3/8	G 1/4	G 1/8	48	1.5	96.5	124.5	221
0821300226	G 3/8	G 3/8	G 1/4	G 1/8	48	1.5	96.5	124.5	221
0821300228	G 3/8	G 3/8	G 1/4	G 1/8	48	1.5	96.5	124.5	221

Part No.	G	H	I	J	K	L	M	N	N1
0821300306	M30x1,5	36	4.4	47	43.5	28	3	3.5	3
0821300220	M30x1,5	36	4.4	47	43.5	28	3	3.5	3
0821300221	M30x1,5	36	4.4	47	43.5	28	3	3.5	3
0821300312	M30x1,5	36	4.4	47	43.5	28	3	3.5	3
0821300222	M30x1,5	36	4.4	47	43.5	28	3	3.5	3

# Filter pressure regulator, Series NL2-FRE

NL2

0821300226

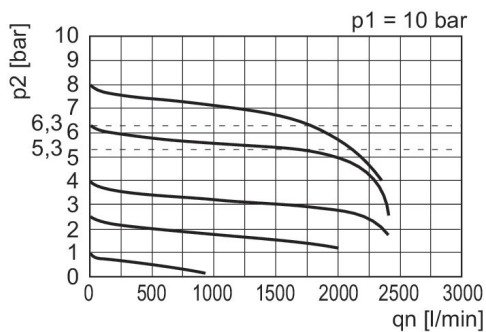
2024-04-23

Part No.	G	H	I	J	K	L	M	N	N1
0821300223	M30x1,5	36	4.4	47	43.5	28	3	3.5	3
0821300336	M30x1,5	36	4.4	47	43.5	28	3	3.5	3
0821300224	M30x1,5	36	4.4	47	43.5	28	3	3.5	3
0821300226	M30x1,5	36	4.4	47	43.5	28	3	3.5	3
0821300228	M30x1,5	36	4.4	47	43.5	28	3	3.5	3

Part No.	O	R	T	T2	T6	T7	U	V	W
0821300306	38	5.4	8	9.5	7	8.5	18.5	12.3	243
0821300220	38	5.4	8	9.5	7	8.5	18.5	12.3	243
0821300221	38	5.4	8	9.5	7	8.5	18.5	12.3	243
0821300312	38	5.4	8	9.5	7	8.5	18.5	12.3	243
0821300222	38	5.4	8	9.5	7	8.5	18.5	12.3	243
0821300223	38	5.4	8	9.5	7	8.5	18.5	12.3	243
0821300336	38	5.4	8	9.5	7	8.5	18.5	12.3	243
0821300224	38	5.4	8	9.5	7	8.5	18.5	12.3	243
0821300226	38	5.4	8	9.5	7	8.5	18.5	12.3	243
0821300228	38	5.4	8	9.5	7	8.5	18.5	12.3	243

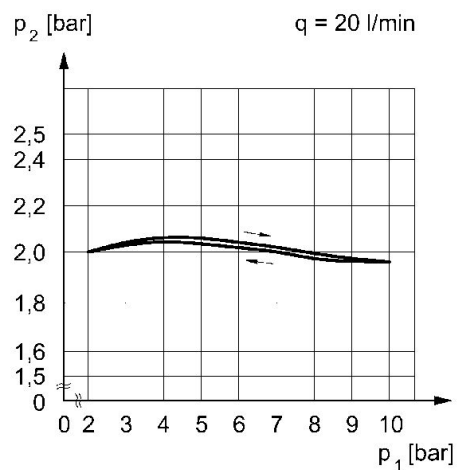
Part No.	W1
0821300306	52
0821300220	52
0821300221	52
0821300312	52
0821300222	52
0821300223	52
0821300336	52
0821300224	52
0821300226	52
0821300228	52

Flow rate characteristic,  $p_2 = 0,05 - 7$  bar



$p_1$  = Working pressure  $p_2$  = Secondary pressure  $q_n$  = Nominal flow

Pressure characteristics curve



$p_1$  = working pressure  $p_2$  = secondary pressure  $q$  = flow rate