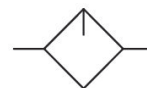


0821301413

## AVENTICS Series NL2 Air Preparation Units

The AVENTICS Series NL maintenance units are suitable for all areas: as individual components or as assembled maintenance units, for centralized or decentralized compressed air preparation, in compact or powerful versions, for use in high or low temperatures. This line offers a complete, customizable compressed air preparation technology. It includes an option to combine every component in the Series to achieve the desired function, making it possible to adjust the components precisely to the application requirements.



## Technical data

Industry	Industrial
Parts	Lubricator
Reservoir	1.0 l metal reservoir with window with level indicator
Lubricator version	G 1/4
Compressed air connection	1300 l/min
Nominal flow Qn	vertical
Mounting orientation	0.5 bar
Min. working pressure	16 bar
Max. working pressure	-10 °C
Min. ambient temperature	60 °C
Max. ambient temperature	Compressed air
Medium	Neutral gases
Type of filling	Manual oil filling
Lubricator reservoir volume	1000 cm <sup>3</sup>
Electrical level indicator	with internal query
inspection glass	with window
Oil dosing at 1000 l/min	10-20 drops
Function	Micro oil-mist lubricator
Function	Can be assembled into blocks

## Material

Housing material	Die cast zinc
Material front plate	Acrylonitrile butadiene styrene
Seal material	Acrylonitrile butadiene rubber
Material reservoir	Die cast zinc
Part No.	0821301413

## Technical information

The pressure dew point must be at least 15 °C less than ambient and medium temperature and may not exceed 3 °C.

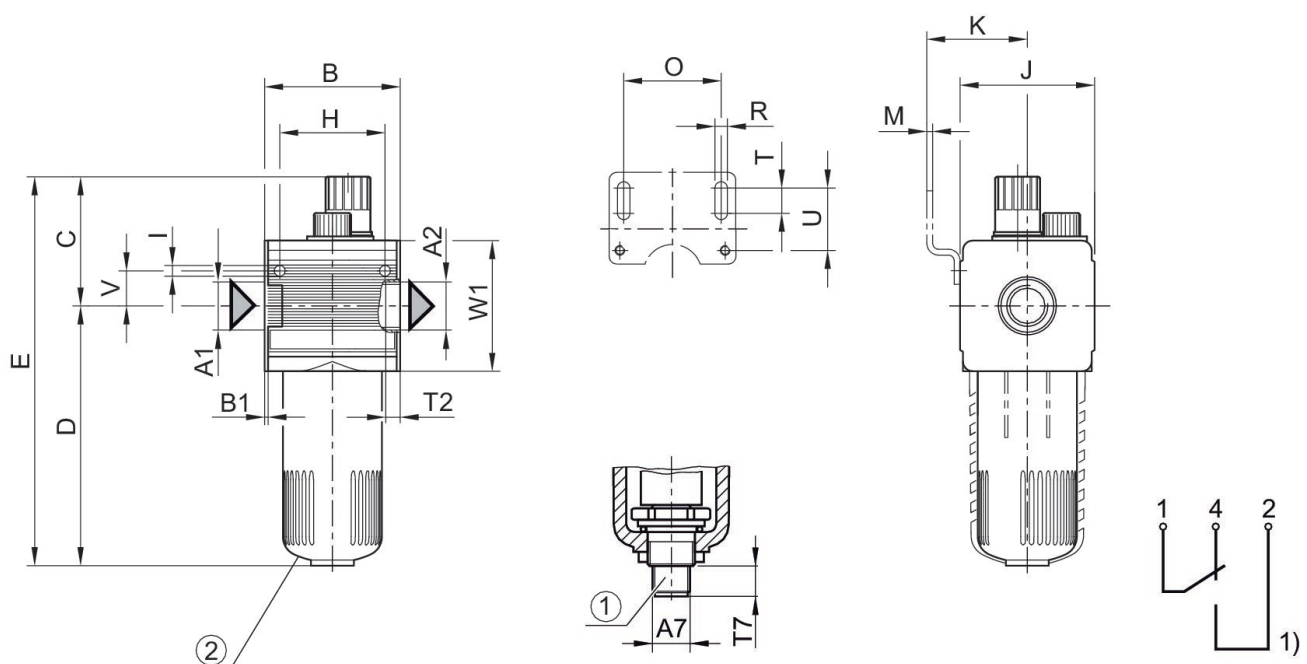
Only approx. 10% of the preset drip quantity enters the compressed air system.  
oil filling not possible during operation.

Note: Polycarbonate reservoirs are susceptible to solvents, supplementary information can be found at "Customer information".

A change in the flow direction (from air supply on the left to air supply on the right) occurs by rotating installation by 180° about the vertical axis. Please see the operating instructions for further details.

Nominal flow  $Q_n$  with secondary pressure  $p_2 = 6$  bar at  $\Delta p = 1$  bar

Fig. 1  
PC reservoir



1) electrical level indicator – connection: 4-pin, M12x1 – contact load: 50 V AC/0.5 A/5 W – type: 1 change-over contact (make contact/break contact) for min. fluid level  
Order valve plug connector (M12x1) separately

0821301413

2) PC reservoir

## Dimensions in mm

Part No. G 1/4	A1	A2	A7	B	B1	C	D	E	H
0821301411	G 1/4	G 1/4	M12x1	48	1.5	58	109	167	36
0821301415	G 1/4	G 1/4	M12x1	48	1.5	58	109	167	36
0821301412	G 1/4	G 1/4	M12x1	48	1.5	58	109	167	36
R412007652	G 1/4	G 1/4	M12x1	48	1.5	58	109	167	36

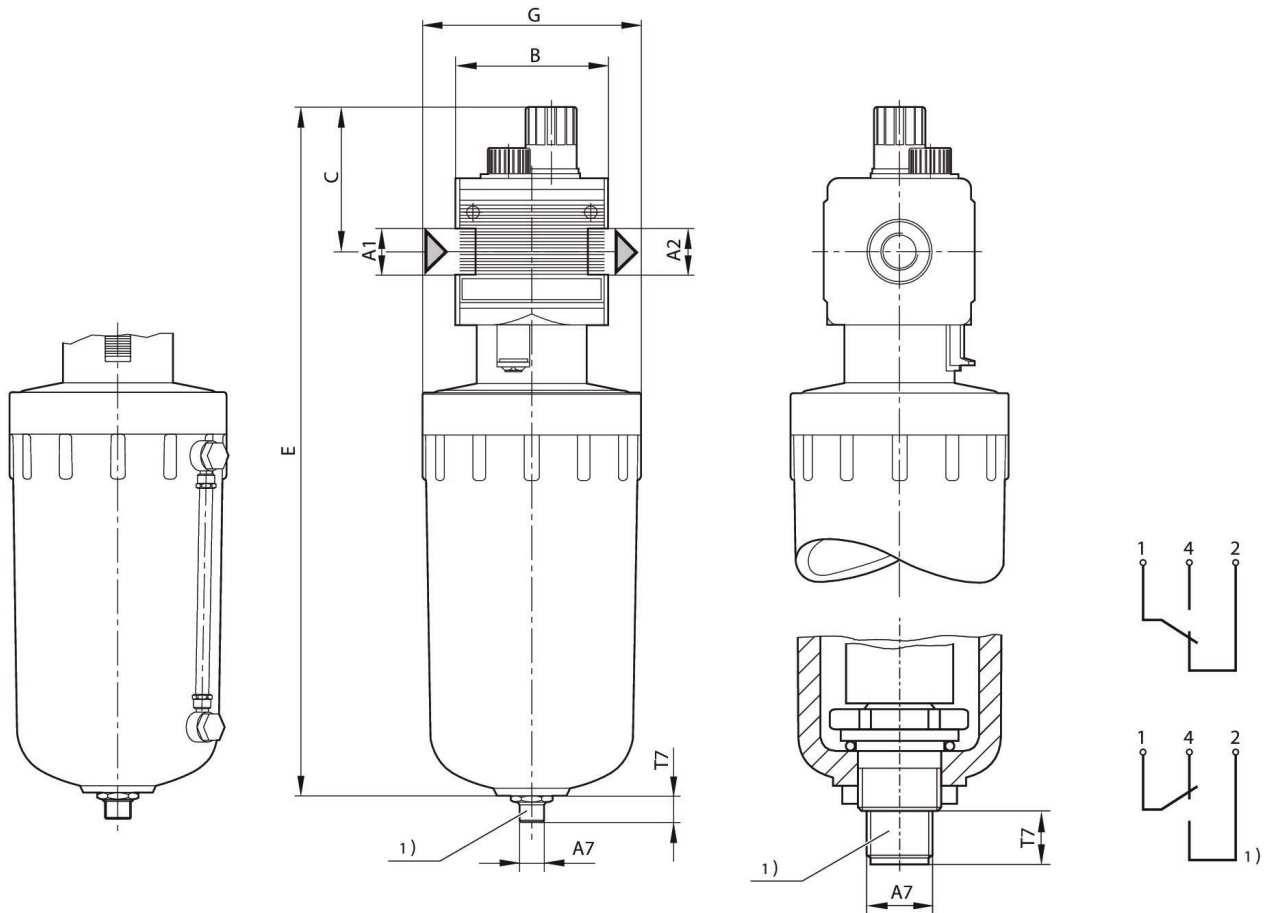
Part No. G 1/4	I	J	K	M	O	R	T	T2	T7
0821301411	4.4	47	43.5	3	38	5.4	8	9.5	12
0821301415	4.4	47	43.5	3	38	5.4	8	9.5	12
0821301412	4.4	47	43.5	3	38	5.4	8	9.5	12
R412007652	4.4	47	43.5	3	38	5.4	8	9.5	12

Part No. G 1/4	U	V	W1
0821301411	27.5	12.3	52
0821301415	27.5	12.3	52
0821301412	27.5	12.3	52
R412007652	27.5	12.3	52

Fig. 3  
Dimensions

0821301413

## Metal reservoir



A1 = input A2 = output

1) electrical level indicator – connection: 4-pin, M12x1 – contact load: 50 V AC/0.5 A/5 W – type: 1 change-over contact (make contact/break contact) for min. fluid level

Order valve plug connector (M12x1) separately

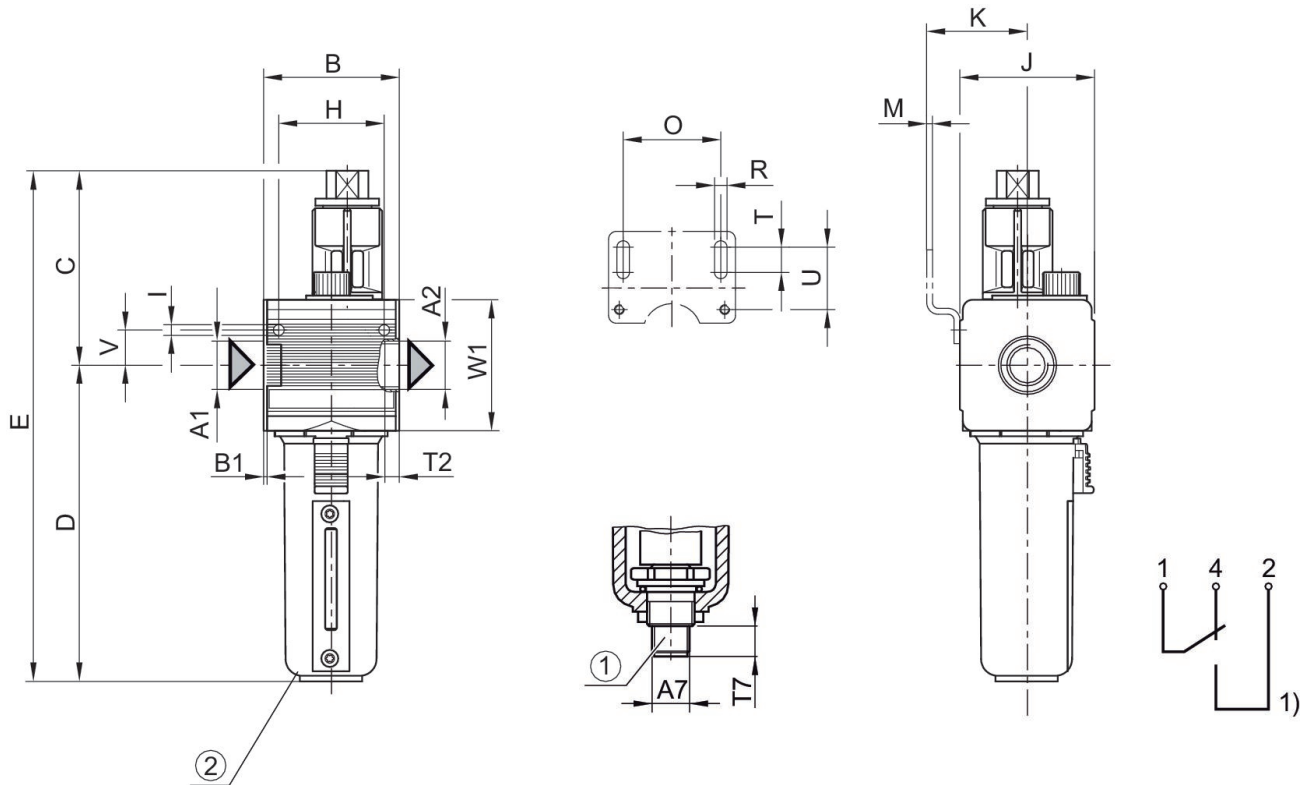
## Dimensions in mm

Part No.	Lubricator reservoir volume	A2	A7	B ±5	C ±5	E	G ±5	T7
0821301413	1000 cm <sup>3</sup>	G 1/4	M12x1	48	58	299	Ø 100	12 ±2,5
0821301414	1000 cm <sup>3</sup>	G 1/4	M12x1	48	58	399	Ø 100	12 ±2,5

Fig. 2

0821301413

## Metal reservoir with level indicator



1) electrical level indicator – connection: 4-pin, M12x1 – contact load: 50 V AC/0.5 A/5 W – type: 1 change-over contact (make contact/break contact) for min. fluid level  
 Order valve plug connector (M12x1) separately  
 2) Metal reservoir with level indicator

## Dimensions in mm

Part No.	A2	A7	B	B1	C	D	E	H	I
R412007651	G 1/4	M12x1	48	1.5	58	109	182	36	4.4

Part No.	J	K	M	O	R	T	T2	T7	U
R412007651	47	43.5	3	38	5.4	8	9.5	12	27.5

Part No.	V	W1
R412007651	12.3	52