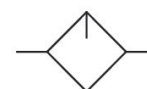


0821301412

AVENTICS Series NL2 Air Preparation Units

The AVENTICS Series NL maintenance units are suitable for all areas: as individual components or as assembled maintenance units, for centralized or decentralized compressed air preparation, in compact or powerful versions, for use in high or low temperatures. This line offers a complete, customizable compressed air preparation technology. It includes an option to combine every component in the Series to achieve the desired function, making it possible to adjust the components precisely to the application requirements.



Technical data

| | |
|-----------------------------|--|
| Industry | Industrial |
| Parts | Lubricator |
| Reservoir | reservoir, polycarbonate, without protective guard |
| Lubricator version | with level indicator |
| Compressed air connection | G 1/4 |
| Nominal flow Qn | 1300 l/min |
| Mounting orientation | vertical |
| Min. working pressure | 0.5 bar |
| Max. working pressure | 16 bar |
| Min. ambient temperature | -10 °C |
| Max. ambient temperature | 60 °C |
| Medium | Compressed air Neutral gases |
| Type of filling | Manual oil filling |
| Lubricator reservoir volume | 50 cm ³ |
| Electrical level indicator | with internal query |
| Oil dosing at 1000 l/min | 10-20 drops |
| Function | Micro oil-mist lubricator |
| Function | Can be assembled into blocks |

Material

| | |
|----------------------|---------------------------------|
| Housing material | Die cast zinc |
| Material front plate | Acrylonitrile butadiene styrene |
| Seal material | Acrylonitrile butadiene rubber |
| Material reservoir | Polycarbonate |
| Part No. | 0821301412 |

Technical information

The pressure dew point must be at least 15 °C less than ambient and medium temperature and may not exceed 3 °C.

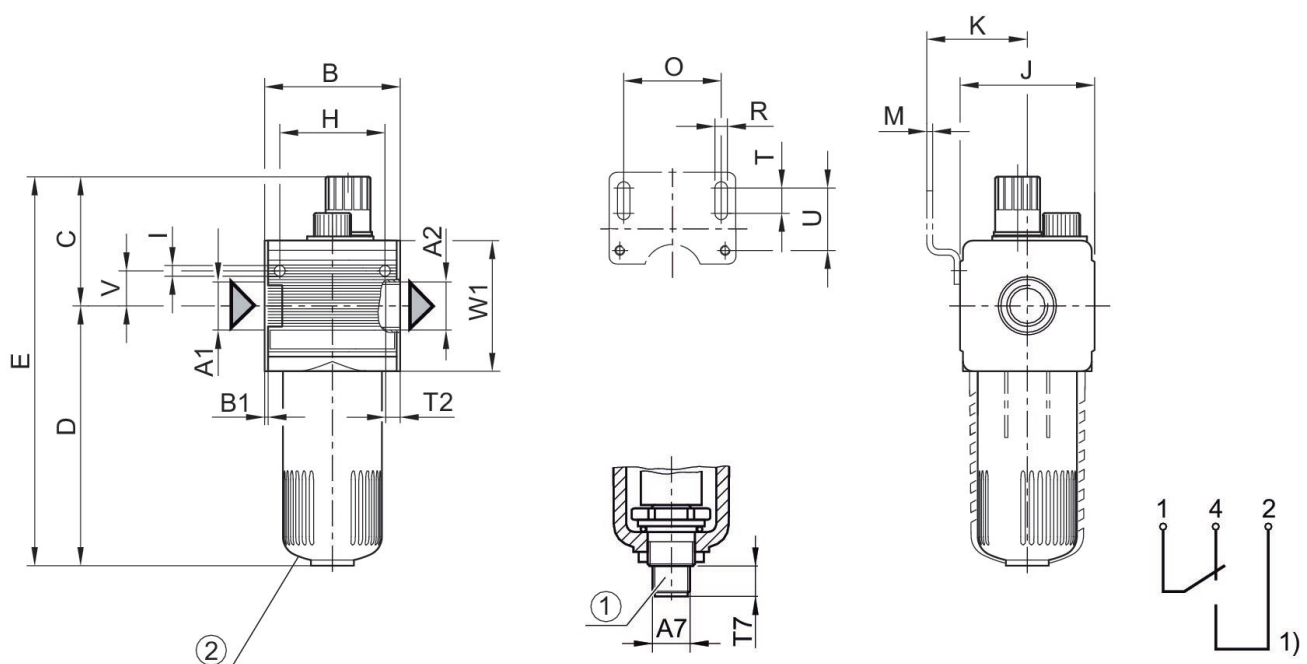
Only approx. 10% of the preset drip quantity enters the compressed air system.
oil filling not possible during operation.

Note: Polycarbonate reservoirs are susceptible to solvents, supplementary information can be found at "Customer information".

A change in the flow direction (from air supply on the left to air supply on the right) occurs by rotating installation by 180° about the vertical axis. Please see the operating instructions for further details.

Nominal flow Q_n with secondary pressure $p_2 = 6$ bar at $\Delta p = 1$ bar

Fig. 1
PC reservoir



1) electrical level indicator – connection: 4-pin, M12x1 – contact load: 50 V AC/0.5 A/5 W – type: 1 change-over contact (make contact/break contact) for min. fluid level

Order valve plug connector (M12x1) separately

0821301412

2) PC reservoir

Dimensions in mm

| Part No. G 1/4 | A1 | A2 | A7 | B | B1 | C | D | E | H |
|----------------|-------|-------|-------|----|-----|----|-----|-----|----|
| 0821301411 | G 1/4 | G 1/4 | M12x1 | 48 | 1.5 | 58 | 109 | 167 | 36 |
| 0821301415 | G 1/4 | G 1/4 | M12x1 | 48 | 1.5 | 58 | 109 | 167 | 36 |
| 0821301412 | G 1/4 | G 1/4 | M12x1 | 48 | 1.5 | 58 | 109 | 167 | 36 |
| R412007652 | G 1/4 | G 1/4 | M12x1 | 48 | 1.5 | 58 | 109 | 167 | 36 |

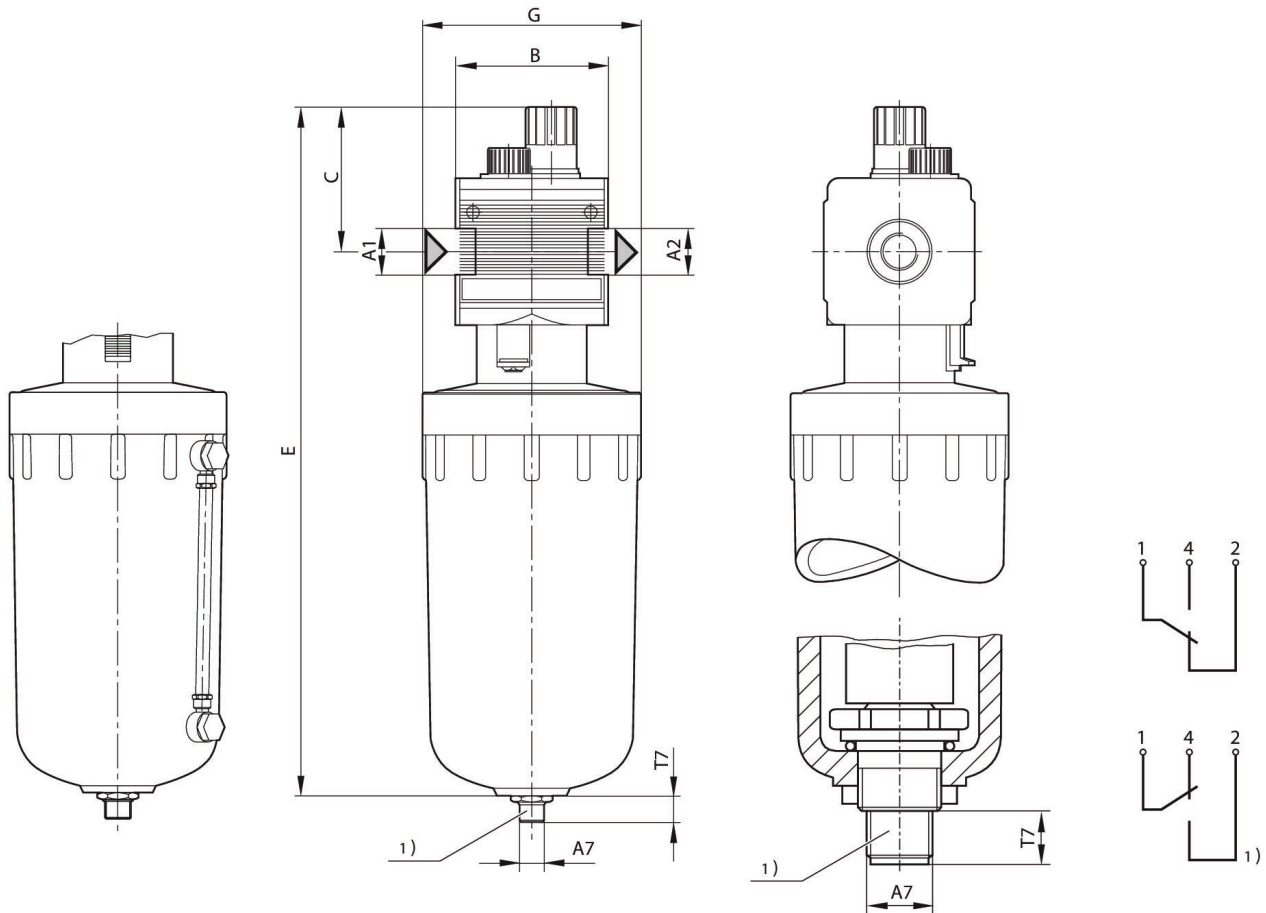
| Part No. G 1/4 | I | J | K | M | O | R | T | T2 | T7 |
|----------------|-----|----|------|---|----|-----|---|-----|----|
| 0821301411 | 4.4 | 47 | 43.5 | 3 | 38 | 5.4 | 8 | 9.5 | 12 |
| 0821301415 | 4.4 | 47 | 43.5 | 3 | 38 | 5.4 | 8 | 9.5 | 12 |
| 0821301412 | 4.4 | 47 | 43.5 | 3 | 38 | 5.4 | 8 | 9.5 | 12 |
| R412007652 | 4.4 | 47 | 43.5 | 3 | 38 | 5.4 | 8 | 9.5 | 12 |

| Part No. G 1/4 | U | V | W1 |
|----------------|------|------|----|
| 0821301411 | 27.5 | 12.3 | 52 |
| 0821301415 | 27.5 | 12.3 | 52 |
| 0821301412 | 27.5 | 12.3 | 52 |
| R412007652 | 27.5 | 12.3 | 52 |

Fig. 3
Dimensions

0821301412

Metal reservoir



A1 = input A2 = output

1) electrical level indicator – connection: 4-pin, M12x1 – contact load: 50 V AC/0.5 A/5 W – type: 1 change-over contact (make contact/break contact) for min. fluid level

Order valve plug connector (M12x1) separately

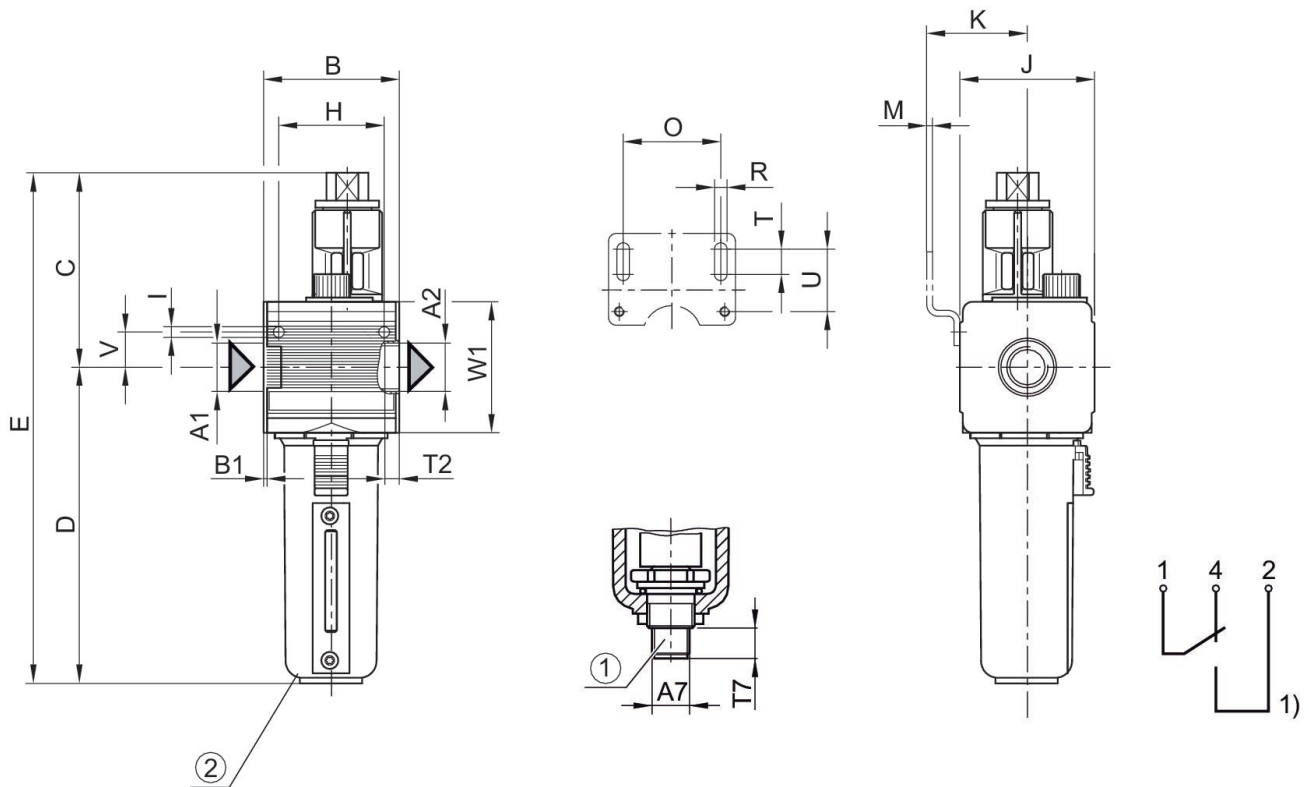
Dimensions in mm

| Part No. | Lubricator reservoir volume | A2 | A7 | B ±5 | C ±5 | E | G ±5 | T7 |
|------------|-----------------------------|-------|-------|------|------|-----|-------|---------|
| 0821301413 | 50 cm ³ | G 1/4 | M12x1 | 48 | 58 | 299 | Ø 100 | 12 ±2,5 |
| 0821301414 | 50 cm ³ | G 1/4 | M12x1 | 48 | 58 | 399 | Ø 100 | 12 ±2,5 |

Fig. 2

0821301412

Metal reservoir with level indicator



1) electrical level indicator – connection: 4-pin, M12x1 – contact load: 50 V AC/0.5 A/5 W – type: 1 change-over contact (make contact/break contact) for min. fluid level
 Order valve plug connector (M12x1) separately
 2) Metal reservoir with level indicator

Dimensions in mm

| Part No. | A2 | A7 | B | B1 | C | D | E | H | I |
|------------|-------|-------|----|-----|----|-----|-----|----|-----|
| R412007651 | G 1/4 | M12x1 | 48 | 1.5 | 58 | 109 | 182 | 36 | 4.4 |

| Part No. | J | K | M | O | R | T | T2 | T7 | U |
|------------|----|------|---|----|-----|---|-----|----|------|
| R412007651 | 47 | 43.5 | 3 | 38 | 5.4 | 8 | 9.5 | 12 | 27.5 |

| Part No. | V | W1 |
|------------|------|----|
| R412007651 | 12.3 | 52 |