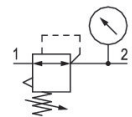


0821302557

Series NL2

The AVENTICS Series NL maintenance units are suitable for all areas: as individual components or as assembled maintenance units, for centralized or decentralized compressed air preparation, in compact or powerful versions, for use in high or low temperatures. This line offers a complete, customizable compressed air preparation technology. It includes an option to combine every component in the Series to achieve the desired function, making it possible to adjust the components precisely to the application requirements.



Technical data

| | |
|--------------------------|-----------------------------------|
| Industry | Industrial |
| Function | Standard pressure regulator |
| Parts | Pressure regulator |
| Pressure gauge | pressure gauge in hand wheel |
| Mounting orientation | Any |
| Regulator type | Diaphragm-type pressure regulator |
| Port | G 1/4 |
| Nominal flow Qn | 2000 l/min |
| Min. regulation range | 0.1 bar |
| Max. regulation range | 3 bar |
| Min. working pressure | 0.5 bar |
| Max. working pressure | 16 bar |
| Min. ambient temperature | -10 °C |
| Max. ambient temperature | 60 °C |
| Activation | Mechanical |
| Regulator function | with relieving air exhaust |
| Regulator type | Can be assembled into blocks |
| Pressure supply | single |
| Lock type | not lockable |
| Medium | Compressed air |

Pressure regulator, Series NL2-RGS

2024-04-23

0821302557

| | |
|---------------------------|---------------|
| Recommended pre-filtering | Neutral gases |
| Weight | 5 µm |
| | 0.4 kg |

Material

| | |
|----------------------|---------------------------------|
| Housing material | Die cast zinc |
| Material front plate | Acrylonitrile butadiene styrene |
| Seal material | Acrylonitrile butadiene rubber |
| Part No. | 0821302557 |

Technical information

The pressure dew point must be at least 15 °C less than ambient and medium temperature and may not exceed 3 °C.

Nominal flow Q_n with secondary pressure $p_2 = 6$ bar at $\Delta p = 1$ bar

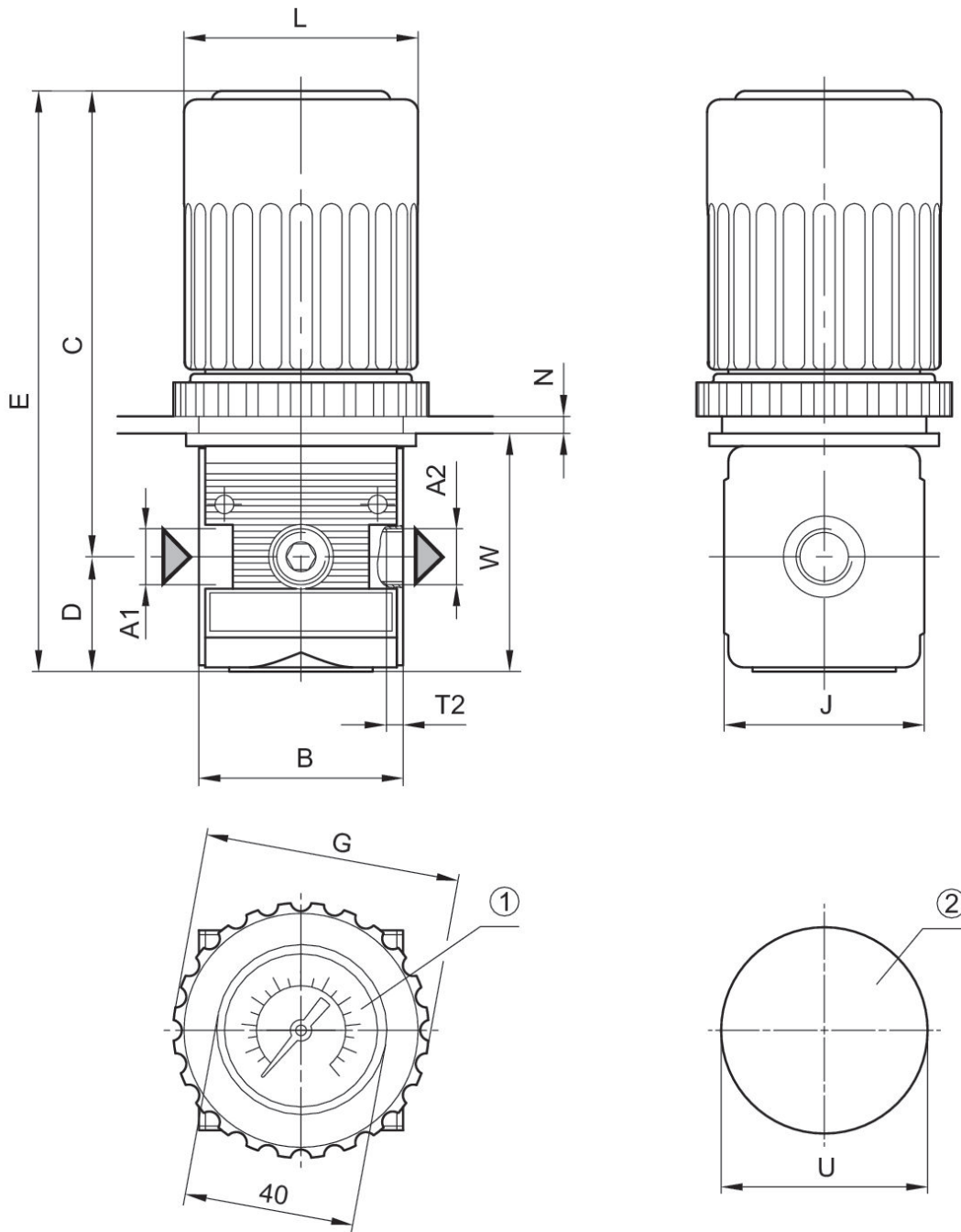
A change in the flow direction (from air supply on the left to air supply on the right) occurs by rotating installation by 180° about the vertical axis. Please see the operating instructions for further details.

Relieving exhaust (≤ 0.3 bar over set pressure)

With rear exhaust (>3 bar)

Panel nut included in scope of delivery

Dimensions



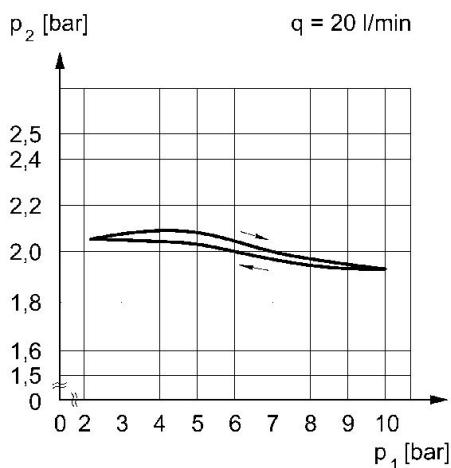
- A1 = input
 A2 = output
 1) Pressure gauge \varnothing 40
 2) Opening for control panel assembly

Dimensions in mm

| Part No. | A1 | A2 | B | C | D | E | G | J | L |
|------------|-------|-------|----|-----|----|-----|----|----|----|
| 0821302557 | G 1/4 | G 1/4 | 48 | 107 | 27 | 133 | 60 | 47 | 54 |
| 0821302559 | G 1/4 | G 1/4 | 48 | 107 | 27 | 133 | 60 | 47 | 54 |
| 0821302558 | G 1/4 | G 1/4 | 48 | 107 | 27 | 133 | 60 | 47 | 54 |

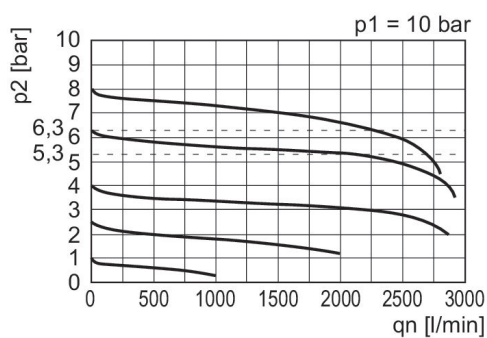
| Part No. | N | T2 | U | W |
|------------|---|-----|------|----|
| 0821302557 | 4 | 9.5 | 48.5 | 55 |
| 0821302559 | 4 | 9.5 | 48.5 | 55 |
| 0821302558 | 4 | 9.5 | 48.5 | 55 |

Pressure characteristics curve



p1 = Working pressure
 p2 = Secondary pressure
 q = flow rate

Flow rate characteristic (setting range p2: 0.5 - 10 bar)



p1 = Working pressure
 p2 = Secondary pressure
 qn = Nominal flow