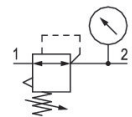


0821302559

## Series NL2

The AVENTICS Series NL maintenance units are suitable for all areas: as individual components or as assembled maintenance units, for centralized or decentralized compressed air preparation, in compact or powerful versions, for use in high or low temperatures. This line offers a complete, customizable compressed air preparation technology. It includes an option to combine every component in the Series to achieve the desired function, making it possible to adjust the components precisely to the application requirements.



## Technical data

Industry	Industrial
Function	Standard pressure regulator
Parts	Pressure regulator
Pressure gauge	pressure gauge in hand wheel
Mounting orientation	Any
Regulator type	Diaphragm-type pressure regulator
Port	G 1/4
Nominal flow Qn	2000 l/min
Min. regulation range	0.2 bar
Max. regulation range	6 bar
Min. working pressure	0.5 bar
Max. working pressure	16 bar
Min. ambient temperature	-10 °C
Max. ambient temperature	60 °C
Activation	Mechanical
Regulator function	with relieving air exhaust
Regulator type	Can be assembled into blocks
Pressure supply	single
Lock type	not lockable
Medium	Compressed air

# Pressure regulator, Series NL2-RGS

2024-04-23

0821302559

---

Recommended pre-filtering	Neutral gases
Weight	5 µm
	0.4 kg

## Material

Housing material	Die cast zinc
Material front plate	Acrylonitrile butadiene styrene
Seal material	Acrylonitrile butadiene rubber
Part No.	0821302559

## Technical information

The pressure dew point must be at least 15 °C less than ambient and medium temperature and may not exceed 3 °C.

Nominal flow  $Q_n$  with secondary pressure  $p_2 = 6$  bar at  $\Delta p = 1$  bar

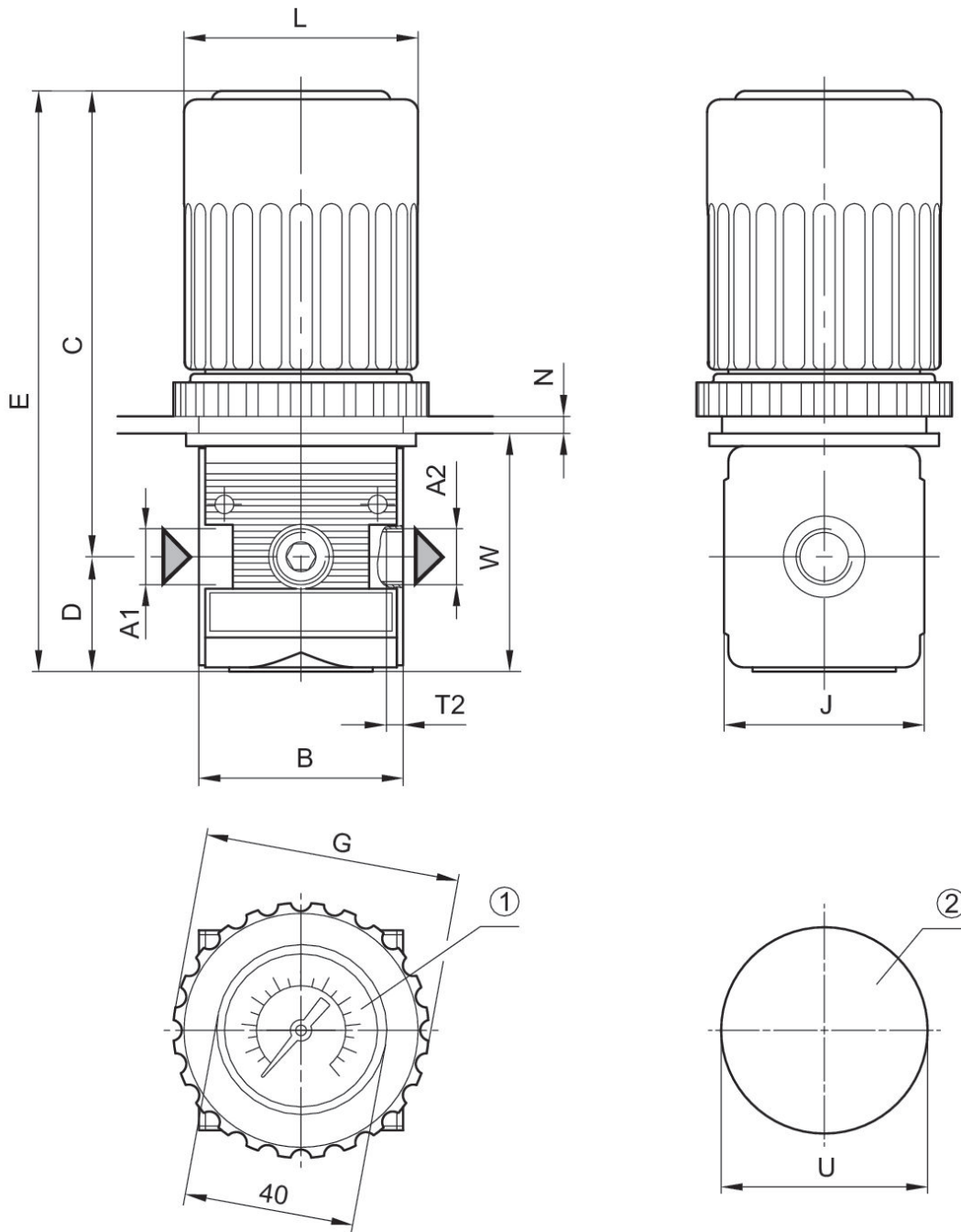
A change in the flow direction (from air supply on the left to air supply on the right) occurs by rotating installation by 180° about the vertical axis. Please see the operating instructions for further details.

Relieving exhaust ( $\leq 0.3$  bar over set pressure)

With rear exhaust ( $>3$  bar)

Panel nut included in scope of delivery

## Dimensions



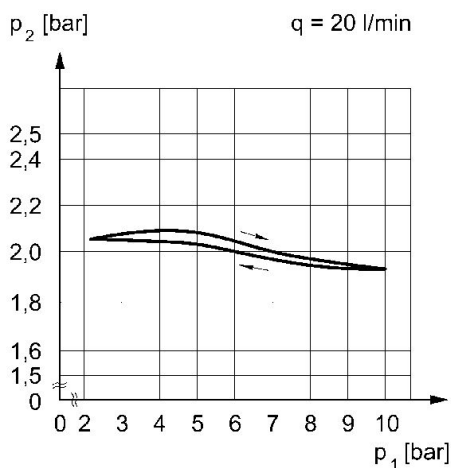
A1 = input  
A2 = output  
1) Pressure gauge  $\varnothing$  40  
2) Opening for control panel assembly

## Dimensions in mm

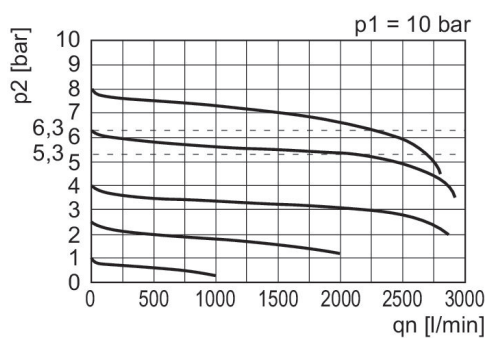
Part No.	A1	A2	B	C	D	E	G	J	L
0821302557	G 1/4	G 1/4	48	107	27	133	60	47	54
0821302559	G 1/4	G 1/4	48	107	27	133	60	47	54
0821302558	G 1/4	G 1/4	48	107	27	133	60	47	54

Part No.	N	T2	U	W
0821302557	4	9.5	48.5	55
0821302559	4	9.5	48.5	55
0821302558	4	9.5	48.5	55

## Pressure characteristics curve



## Flow rate characteristic (setting range p2: 0.5 - 10 bar)



p<sub>1</sub> = Working pressure  
 p<sub>2</sub> = Secondary pressure  
 q<sub>n</sub> = Nominal flow

p<sub>1</sub> = Working pressure  
 p<sub>2</sub> = Secondary pressure  
 q = flow rate