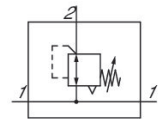


0821302411

## Series NL2

The AVENTICS Series NL maintenance units are suitable for all areas: as individual components or as assembled maintenance units, for centralized or decentralized compressed air preparation, in compact or powerful versions, for use in high or low temperatures. This line offers a complete, customizable compressed air preparation technology. It includes an option to combine every component in the Series to achieve the desired function, making it possible to adjust the components precisely to the application requirements.



## Technical data

Industry	Industrial
Function	Standard pressure regulator
Parts	Pressure regulator with continuous pressure supply without pressure gauge
Pressure gauge	
Mounting orientation	Any
Regulator type	Diaphragm-type pressure regulator
Port	G 1/4
Nominal flow Qn	2000 l/min
Min. regulation range	0.1 bar
Max. regulation range	3 bar
Min. working pressure	0.5 bar
Max. working pressure	16 bar
Min. ambient temperature	-10 °C
Max. ambient temperature	60 °C
Activation	Mechanical
Regulator function	with relieving air exhaust
Regulator type	Can be assembled into blocks
Pressure supply	double
Lock type	not lockable

0821302411

---

with continuous pressure supply	with continuous pressure supply
Max. pressure gauge Ø in blocked state	40 mm
Medium	Compressed air Neutral gases
Recommended pre-filtering	5 µm
Weight	0.325 kg

## Material

Housing material	Die cast zinc
Material front plate	Acrylonitrile butadiene styrene
Seal material	Acrylonitrile butadiene rubber
Part No.	0821302411

## Technical information

The pressure dew point must be at least 15 °C less than ambient and medium temperature and may not exceed 3 °C.

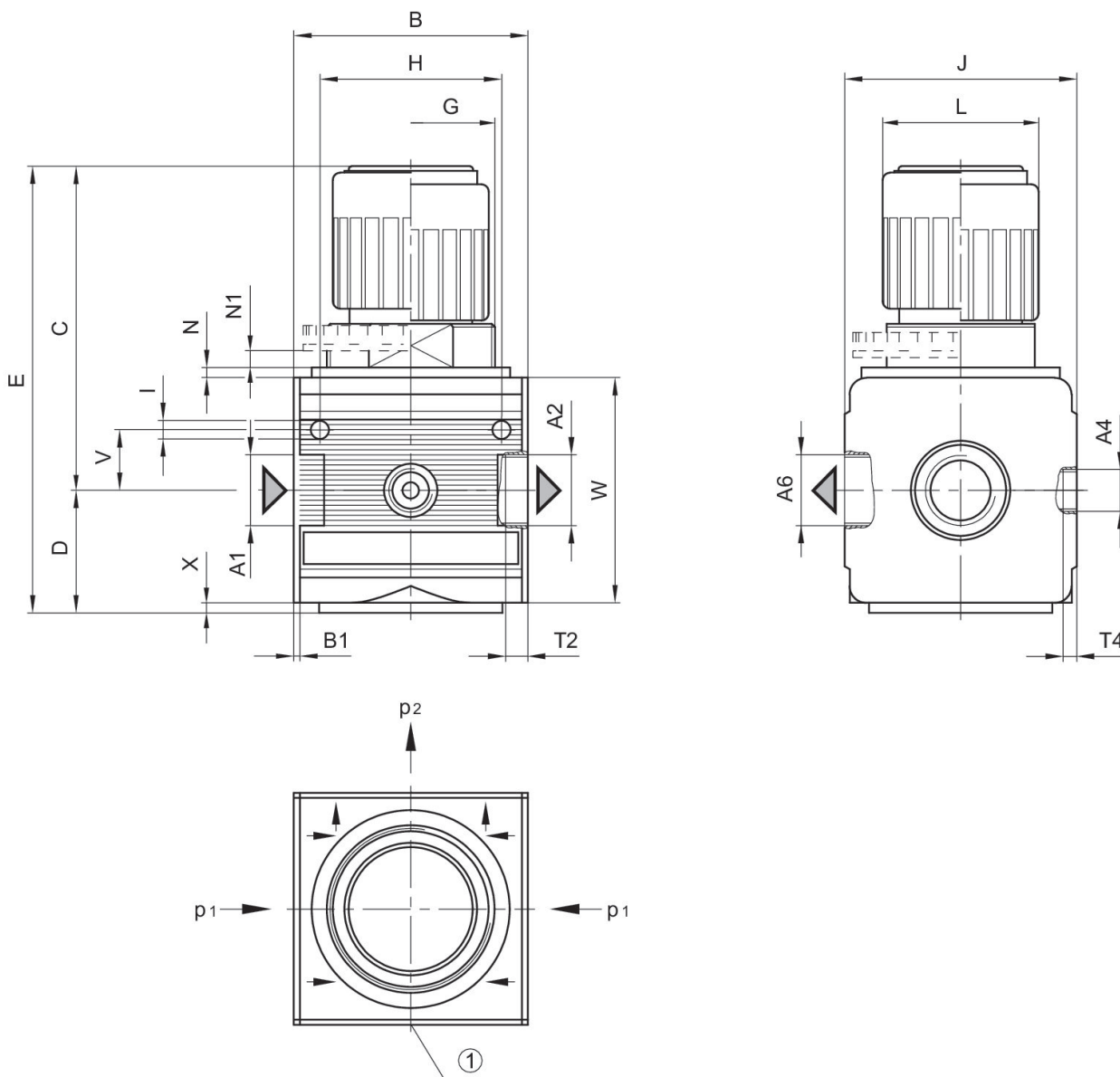
Nominal flow  $Q_n$  with secondary pressure  $p_2 = 6$  bar at  $\Delta p = 1$  bar

The rear pressure gauge connection on the pressure regulator is closed with a blanking plug, the front connection is open. Depending on the customer application, a second blanking plug may be necessary. Please order separately (see accessories).

Relieving exhaust ( $\leq 0.3$  bar over set pressure)

With rear exhaust ( $>3$  bar)

## Dimensions



A1 = input A2 = output  
 A4 = pressure gauge connection  
 A6 = ventilation port  
 1) pressure gauge connection  $p1$  = working pressure  $p2$  = secondary pressure

## Dimensions in mm

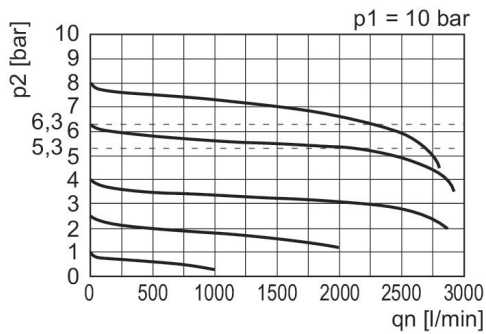
Part No.	A1	A2	A4	A6	B	B1	C	D	E
0821302411	G 1/4	G 1/4	G 1/4	G 1/4	48	1.5	71	27	98
0821302409	G 1/4	G 1/4	G 1/4	G 1/4	48	1.5	71	27	98
0821302408	G 1/4	G 1/4	G 1/4	G 1/4	48	1.5	71	27	98

0821302411

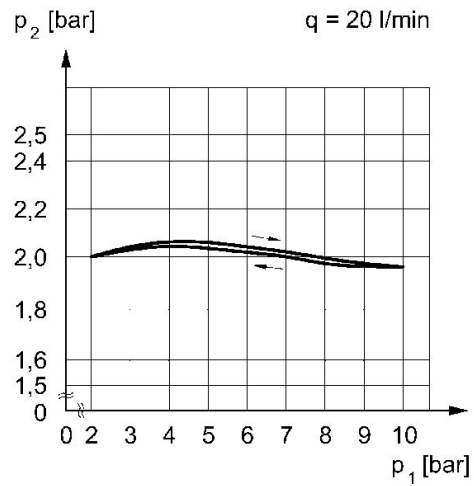
Part No.	G	H	I	J	L	N	N1	T2	T4
0821302411	M30x1,5	36	4.4	47	28	3	3.5	9.5	7
0821302409	M30x1,5	36	4.4	47	28	3	3.5	9.5	7
0821302408	M30x1,5	36	4.4	47	28	3	3.5	9.5	7

Part No.	V	W	X
0821302411	12.3	52	1
0821302409	12.3	52	1
0821302408	12.3	52	1

## Flow rate characteristic (setting range $p_2$ : 0.5 - 10 bar) Pressure characteristics curve

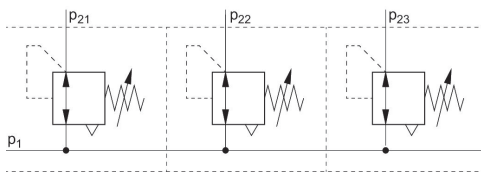


$p_1$  = Working pressure  
 $p_2$  = Secondary pressure  
 $q_n$  = Nominal flow



$p_1$  = working pressure  $p_2$  = secondary pressure  $q$  = flow rate

## Application example



$p_1$  = Working pressure