

R412007613

Series NL2

The AVENTICS Series NL maintenance units are suitable for all areas: as individual components or as assembled maintenance units, for centralized or decentralized compressed air preparation, in compact or powerful versions, for use in high or low temperatures. This line offers a complete, customizable compressed air preparation technology. It includes an option to combine every component in the Series to achieve the desired function, making it possible to adjust the components precisely to the application requirements.



Technical data

Industry	Industrial
Function	Standard pressure regulator
Parts	Pressure regulator
Pressure gauge	without pressure gauge
Mounting orientation	Any
Regulator type	Diaphragm-type pressure regulator
Port	G 1/4
Nominal flow Qn	2000 l/min
Min. regulation range	0.1 bar
Max. regulation range	3 bar
Min. working pressure	0.5 bar
Max. working pressure	16 bar
Min. ambient temperature	-30 °C
Max. ambient temperature	60 °C
Activation	Mechanical
Regulator function	with relieving air exhaust
Regulator type	Can be assembled into blocks
Pressure supply	single
Lock type	not lockable

Pressure regulator, Series NL2-RGS

2024-04-23

R412007613

Medium	Compressed air Neutral gases
Recommended pre-filtering	5 μm
Weight	0.325 kg

Material

Housing material	Die cast zinc
Material front plate	Acrylonitrile butadiene styrene
Seal material	Chloroprene rubber
Part No.	R412007613

Technical information

The pressure dew point must be at least 15 °C less than ambient and medium temperature and may not exceed 3 °C.

Nominal flow Q_n with secondary pressure $p_2 = 6$ bar at $\Delta p = 1$ bar

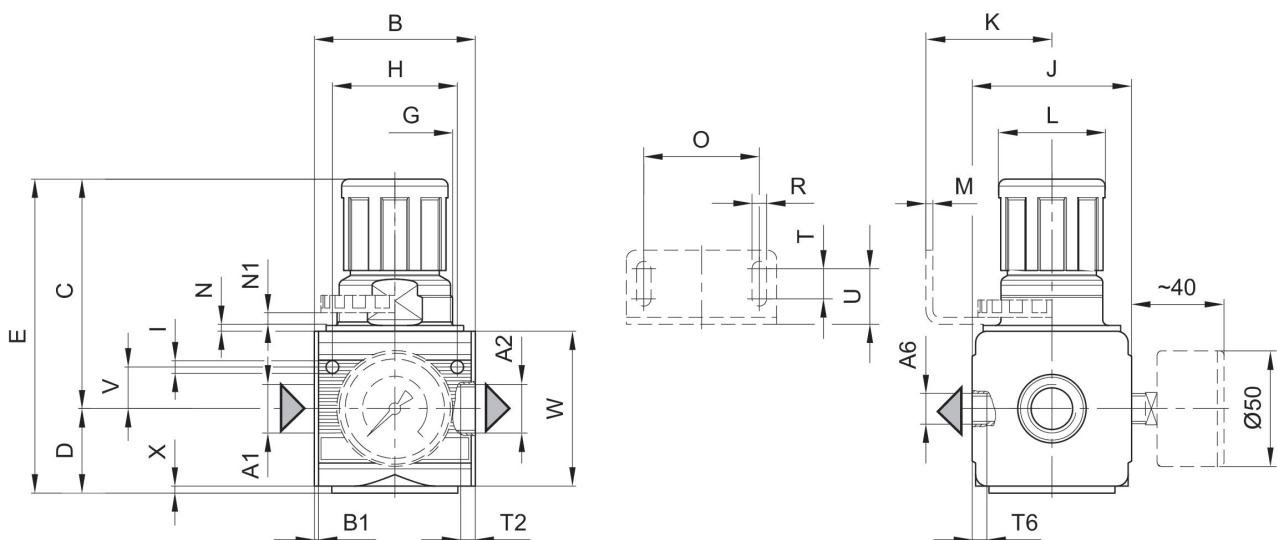
The rear pressure gauge connection on the pressure regulator is closed with a blanking plug, the front connection is open. Depending on the customer application, a second blanking plug may be necessary. Please order separately (see accessories).

Relieving exhaust (≤ 0.3 bar over set pressure)

With rear exhaust (>3 bar)

Order pressure gauge separately

Dimensions



A1 = input
A2 = output
A6 = output

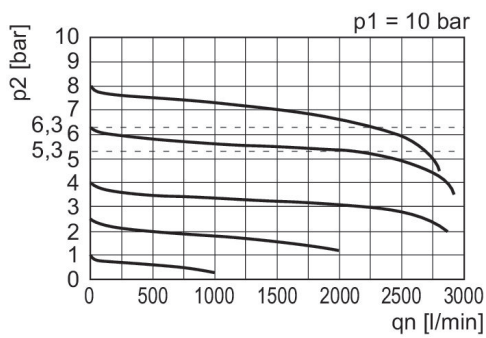
Dimensions in mm

Part No.	A1	A2	A6	B	B1	C	D	E	G
0821302107	G 1/4	G 1/4	G 1/4	48	1.5	67.5	27	94.5	M30x1,5
R412007613	G 1/4	G 1/4	G 1/4	48	1.5	67.5	27	94.5	M30x1,5

Part No.	H	I	J	K	L	M	N	N1	O
0821302107	36	4.4	47	43.5	28	3	3	3.5	38
R412007613	36	4.4	47	43.5	28	3	3	3.5	38

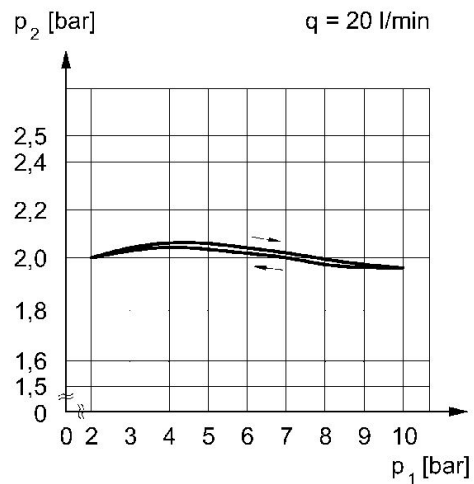
Part No.	R	T	T2	T6	U	V	W	X
0821302107	5.4	8	9.5	7	18.5	12.3	52	1
R412007613	5.4	8	9.5	7	18.5	12.3	52	1

Flow rate characteristic (setting range p2: 0.5 - 10 bar)



p1 = Working pressure
 p2 = Secondary pressure
 qn = Nominal flow

Pressure characteristics curve



p1 = Working pressure
 p2 = Secondary pressure
 q = flow rate