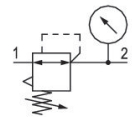


0821302440

Series NL2

The AVENTICS Series NL maintenance units are suitable for all areas: as individual components or as assembled maintenance units, for centralized or decentralized compressed air preparation, in compact or powerful versions, for use in high or low temperatures. This line offers a complete, customizable compressed air preparation technology. It includes an option to combine every component in the Series to achieve the desired function, making it possible to adjust the components precisely to the application requirements.



Technical data

| | |
|--------------------------|-----------------------------------|
| Industry | Industrial |
| Function | Standard pressure regulator |
| Parts | Pressure regulator |
| Pressure gauge | with pressure gauge |
| Mounting orientation | Any |
| Regulator type | Diaphragm-type pressure regulator |
| Port | G 3/8 |
| Nominal flow Qn | 2000 l/min |
| Min. regulation range | 0.5 bar |
| Max. regulation range | 10 bar |
| Min. working pressure | 0.5 bar |
| Max. working pressure | 16 bar |
| Min. ambient temperature | -10 °C |
| Max. ambient temperature | 60 °C |
| Activation | Mechanical |
| Regulator function | with relieving air exhaust |
| Regulator type | Can be assembled into blocks |
| Pressure supply | single |
| Lock type | not lockable |

Pressure regulator, Series NL2-RGS

2024-04-23

0821302440

| | |
|---------------------------|---------------------------------|
| Medium | Compressed air Neutral gases |
| Recommended pre-filtering | 5 μm |
| Weight | 0.41 kg |

Material

| | |
|----------------------|---------------------------------|
| Housing material | Die cast zinc |
| Material front plate | Acrylonitrile butadiene styrene |
| Seal material | Acrylonitrile butadiene rubber |
| Part No. | 0821302440 |

Technical information

The pressure dew point must be at least 15 °C less than ambient and medium temperature and may not exceed 3 °C.

Nominal flow Q_n with secondary pressure $p_2 = 6$ bar at $\Delta p = 1$ bar

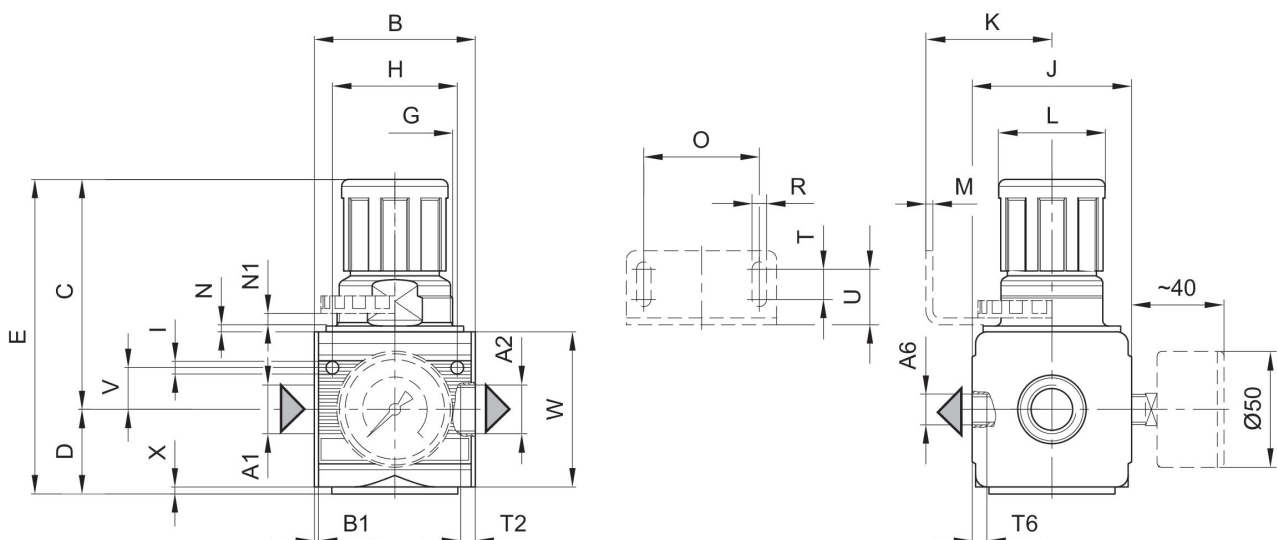
A change in the flow direction (from air supply on the left to air supply on the right) occurs by rotating installation by 180° about the vertical axis. Please see the operating instructions for further details.

The rear pressure gauge connection on the pressure regulator is closed with a blanking plug, the front connection is open. Depending on the customer application, a second blanking plug may be necessary. Please order separately (see accessories).

Relieving exhaust (≤ 0.3 bar over set pressure)

With rear exhaust (>3 bar)

Dimensions



A1 = input
A2 = output

Pressure regulator, Series NL2-RGS

2024-04-23

0821302440

A6 = output

Dimensions in mm

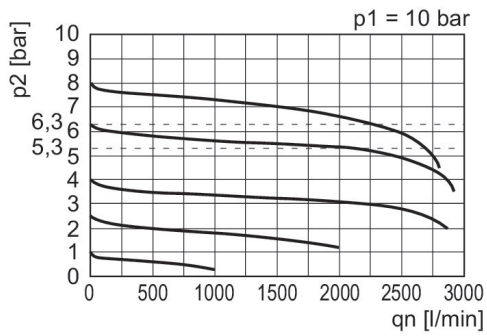
| Part No. | A2 | A6 | B | B1 | C | D | E | G | H |
|------------|-------|-------|----|-----|------|----|------|---------|----|
| 0821302404 | G 1/4 | G 1/4 | 48 | 1.5 | 67.5 | 27 | 94.5 | M30x1,5 | 36 |
| 0821302560 | G 1/4 | G 1/4 | 48 | 1.5 | 67.5 | 27 | 94.5 | M30x1,5 | 36 |
| 0821302400 | G 1/4 | G 1/4 | 48 | 1.5 | 67.5 | 27 | 94.5 | M30x1,5 | 36 |
| 0821302451 | G 3/8 | G 1/4 | 48 | 1.5 | 67.5 | 27 | 94.5 | M30x1,5 | 36 |
| 0821302452 | G 3/8 | G 1/4 | 48 | 1.5 | 67.5 | 27 | 94.5 | M30x1,5 | 36 |
| 0821302440 | G 3/8 | G 1/4 | 48 | 1.5 | 67.5 | 27 | 94.5 | M30x1,5 | 36 |
| 0821302405 | G 1/4 | G 1/4 | 48 | 1.5 | 67.5 | 27 | 94.5 | M30x1,5 | 36 |
| 0821302406 | G 1/4 | G 1/4 | 48 | 1.5 | 67.5 | 27 | 94.5 | M30x1,5 | 36 |
| 0821302401 | G 1/4 | G 1/4 | 48 | 1.5 | 67.5 | 27 | 94.5 | M30x1,5 | 36 |
| 0821302444 | G 3/8 | G 1/4 | 48 | 1.5 | 67.5 | 27 | 94.5 | M30x1,5 | 36 |
| 0821302453 | G 3/8 | G 1/4 | 48 | 1.5 | 67.5 | 27 | 94.5 | M30x1,5 | 36 |
| 0821302441 | G 3/8 | G 1/4 | 48 | 1.5 | 67.5 | 27 | 94.5 | M30x1,5 | 36 |

| Part No. | I | J | K | L | M | N | N1 | O | R |
|------------|-----|----|------|----|---|---|-----|----|-----|
| 0821302404 | 4.4 | 47 | 43.5 | 28 | 3 | 3 | 3.5 | 38 | 5.4 |
| 0821302560 | 4.4 | 47 | 43.5 | 28 | 3 | 3 | 3.5 | 38 | 5.4 |
| 0821302400 | 4.4 | 47 | 43.5 | 28 | 3 | 3 | 3.5 | 38 | 5.4 |
| 0821302451 | 4.4 | 47 | 43.5 | 28 | 3 | 3 | 3.5 | 38 | 5.4 |
| 0821302452 | 4.4 | 47 | 43.5 | 28 | 3 | 3 | 3.5 | 38 | 5.4 |
| 0821302440 | 4.4 | 47 | 43.5 | 28 | 3 | 3 | 3.5 | 38 | 5.4 |
| 0821302405 | 4.4 | 47 | 43.5 | 28 | 3 | 3 | 3.5 | 38 | 5.4 |
| 0821302406 | 4.4 | 47 | 43.5 | 28 | 3 | 3 | 3.5 | 38 | 5.4 |
| 0821302401 | 4.4 | 47 | 43.5 | 28 | 3 | 3 | 3.5 | 38 | 5.4 |
| 0821302444 | 4.4 | 47 | 43.5 | 28 | 3 | 3 | 3.5 | 38 | 5.4 |
| 0821302453 | 4.4 | 47 | 43.5 | 28 | 3 | 3 | 3.5 | 38 | 5.4 |
| 0821302441 | 4.4 | 47 | 43.5 | 28 | 3 | 3 | 3.5 | 38 | 5.4 |

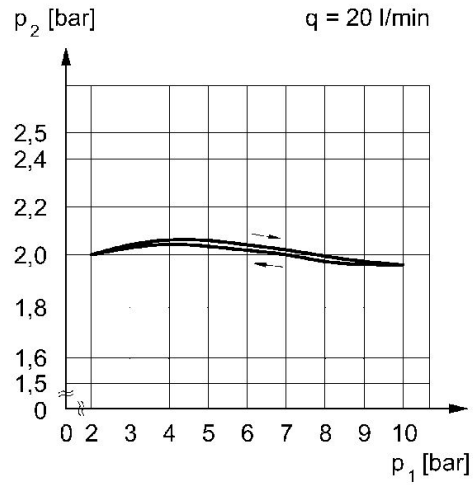
| Part No. | T | T2 | T6 | U | V | W | X |
|------------|---|-----|----|------|------|----|---|
| 0821302404 | 8 | 9.5 | 7 | 18.5 | 12.3 | 52 | 1 |
| 0821302560 | 8 | 9.5 | 7 | 18.5 | 12.3 | 52 | 1 |
| 0821302400 | 8 | 9.5 | 7 | 18.5 | 12.3 | 52 | 1 |
| 0821302451 | 8 | 9.5 | 7 | 18.5 | 12.3 | 52 | 1 |
| 0821302452 | 8 | 9.5 | 7 | 18.5 | 12.3 | 52 | 1 |
| 0821302440 | 8 | 9.5 | 7 | 18.5 | 12.3 | 52 | 1 |
| 0821302405 | 8 | 9.5 | 7 | 18.5 | 12.3 | 52 | 1 |
| 0821302406 | 8 | 9.5 | 7 | 18.5 | 12.3 | 52 | 1 |
| 0821302401 | 8 | 9.5 | 7 | 18.5 | 12.3 | 52 | 1 |
| 0821302444 | 8 | 9.5 | 7 | 18.5 | 12.3 | 52 | 1 |
| 0821302453 | 8 | 9.5 | 7 | 18.5 | 12.3 | 52 | 1 |
| 0821302441 | 8 | 9.5 | 7 | 18.5 | 12.3 | 52 | 1 |

0821302440

Flow rate characteristic (setting range p2: 0.5 - 10 bar) Pressure characteristics curve



p1 = Working pressure
 p2 = Secondary pressure
 qn = Nominal flow



p1 = Working pressure
 p2 = Secondary pressure
 q = flow rate