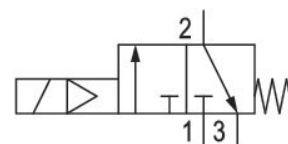


3/2-directional valve, electrically operated, Series NL2-SOV

0821300922

General series information Series NL2

- The AVENTICS Series NL maintenance units are suitable for all areas: as individual components or as assembled maintenance units, for centralized or decentralized compressed air preparation, in compact or powerful versions, for use in high or low temperatures. This line offers a complete, customizable compressed air preparation technology. It includes an option to combine every component in the Series to achieve the desired function, making it possible to adjust the components precisely to the application requirements.



Technical data

Industry	Industrial
Activation	Electrically
Nominal flow Qn	1100 l/min
Compressed air connection	G 1/4
Working pressure min.	2.5 bar
Working pressure max.	10 bar
DC operating voltage	24 V
Sealing principle	Soft Seal
Pilot	Internal
Connection type	Pipe connection
Parts	3/2-directional valve
Can be assembled into blocks	Can be assembled into blocks
Type	Poppet valve
Min. ambient temperature	-10 °C

Max. ambient temperature	60 °C
Medium	Compressed air Neutral gases
Max. particle size	5 µm
Compressed air connection, exhaust	G 1/4
Nominal flow Qn 1 to 2	1100 l/min
Nominal flow Qn 2 to 3	450 l/min
Power consumption DC	4.8 W
Duty cycle	100 %
Connector standard	ISO 6952
Protection class with connection	IP65
Reverse polarity protection	Protected against polarity reversal
Electrical connection type 2	Plug
Electrical connection 2, thread size	ISO 6952, form B
Weight	0.45 kg

Material

Housing material	Die cast zinc
Seal material	Acrylonitrile butadiene styrene
Material front plate	Acrylonitrile butadiene styrene
Part No.	0821300922

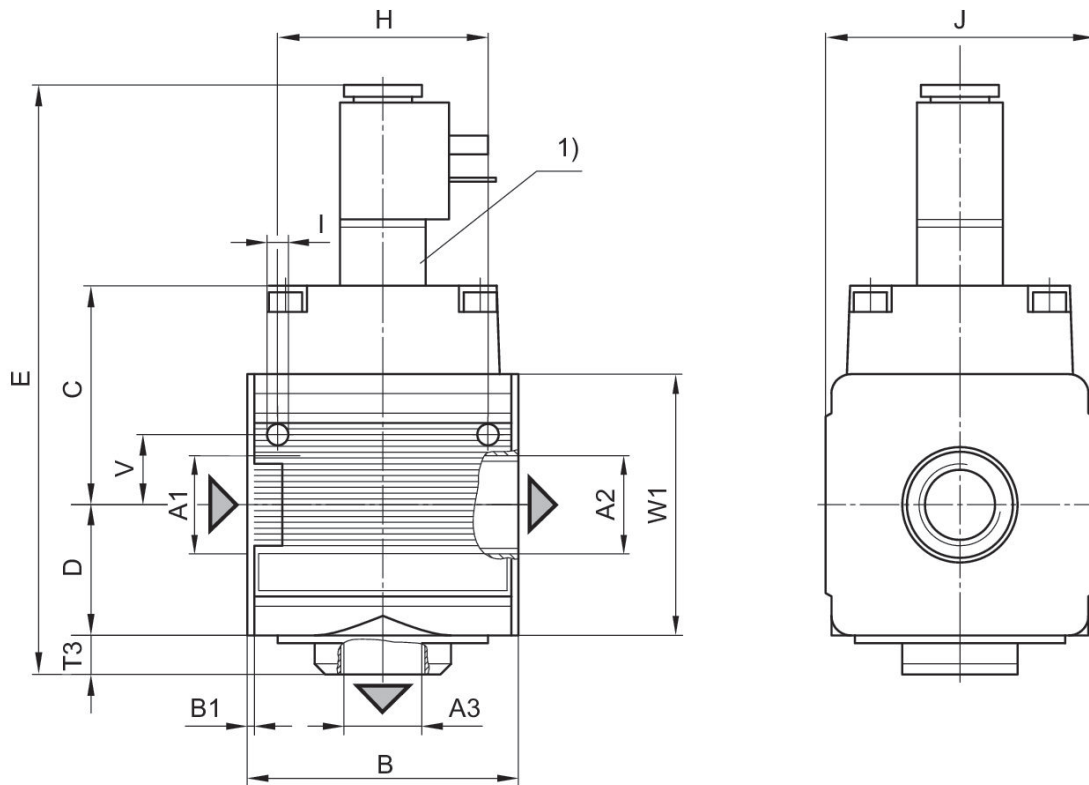
Technical information

The pressure dew point must be at least 15 °C under ambient and medium temperature and may not exceed 3 °C .

Nominal flow Qn with secondary pressure p2 = 6 bar at $\Delta p = 0,1$ bar

A change in the flow direction (from air supply on the left to air supply on the right) occurs by rotating installation by 180° about the vertical axis. Please see the operating instructions for further details.

Dimensions



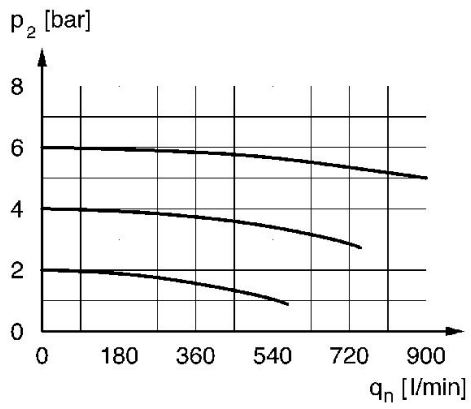
A1 = input A2 = output A3 = output
 1) electrically operated

Dimensions in mm

Part No.	A1	A2	A3	B	B1	C	D	E	H
0821300922	G 1/4	G 1/4	G 1/4	48	1.5	44	26	131	36
0821300923	G 1/4	G 1/4	G 1/4	48	1.5	44	26	131	36
0821300924	G 1/4	G 1/4	G 1/4	48	1.5	44	26	131	36
0821300929	G 1/4	G 1/4	G 1/4	48	1.5	44	26	131	36

Part No.	I	J	T3	V	W1
0821300922	4.4	47	10	12.3	52
0821300923	4.4	47	10	12.3	52
0821300924	4.4	47	10	12.3	52
0821300929	4.4	47	10	12.3	52

Flow rate characteristic, $p_2 = 0,05 - 7$ bar



p_2 = secondary pressure q_n = nominal flow