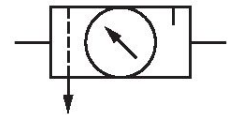


AVENTICS Series NL4 Air Preparation Units

The AVENTICS Series NL maintenance units are suitable for all areas: as individual components or as assembled maintenance units, for centralized or decentralized compressed air preparation, in compact or powerful versions, for use in high or low temperatures. This line offers a complete, customizable compressed air preparation technology. It includes an option to combine every component in the Series to achieve the desired function, making it possible to adjust the components precisely to the application requirements.



Technical data

| | |
|--------------------------|---|
| Industry | Industrial |
| Parts | Air preparation units |
| Components | Filter pressure regulator Lubricator |
| Reservoir | reservoir, metal, with inspection glass |
| Port | G 1/2 |
| Nominal flow Qn | 5000 l/min |
| Filter porosity | 5 µm |
| Condensate drain | semi-automatic, open without pressure |
| Pressure gauge | with pressure gauge |
| Min. working pressure | 1.5 bar |
| Max. working pressure | 16 bar |
| Min. ambient temperature | -10 °C |
| Max. ambient temperature | 60 °C |
| Min. regulation range | 0.5 bar |
| Max. regulation range | 10 bar |
| Lock type | not lockable |
| Type | 2-part |
| Type | Can be assembled into blocks |
| Pressure supply | single |

| | |
|--|-----------------------------------|
| Mounting orientation | vertical |
| Regulator type | Diaphragm-type pressure regulator |
| Regulator function | with relieving air exhaust |
| Filter element | exchangeable |
| Filter reservoir volume | 50 cm ³ |
| Max. achievable compressed air class acc. to ISO 8573-1:2010 | 6 : 7 : - |
| Lubricator reservoir volume | 125 cm ³ |
| Type of filling | Manual oil filling |
| Medium | Compressed air Neutral gases |
| Weight | 2.34 kg |

Material

| | |
|---------------------------|---------------------------------|
| Housing material | Die cast zinc |
| Seal material | Acrylonitrile butadiene rubber |
| Material front plate | Acrylonitrile butadiene styrene |
| Material threaded bushing | Die cast zinc |
| Material reservoir | Die cast zinc |
| Material filter insert | Polyethylene |
| Part No. | 0821300502 |

Technical information

The pressure dew point must be at least 15 °C less than ambient and medium temperature and may not exceed 3 °C.

Note: Polycarbonate reservoirs are susceptible to solvents, supplementary information can be found at "Customer information".

A change in the flow direction (from air supply on the left to air supply on the right) occurs by rotating installation by 180° about the vertical axis. Please see the operating instructions for further details.

Also suitable for separation of fluid oil or water due to the design.

Nominal flow Q_n with secondary pressure p₂ = 6 bar at Δp = 1 bar

Metal protective guard can be retrofitted for all polycarbonate reservoirs

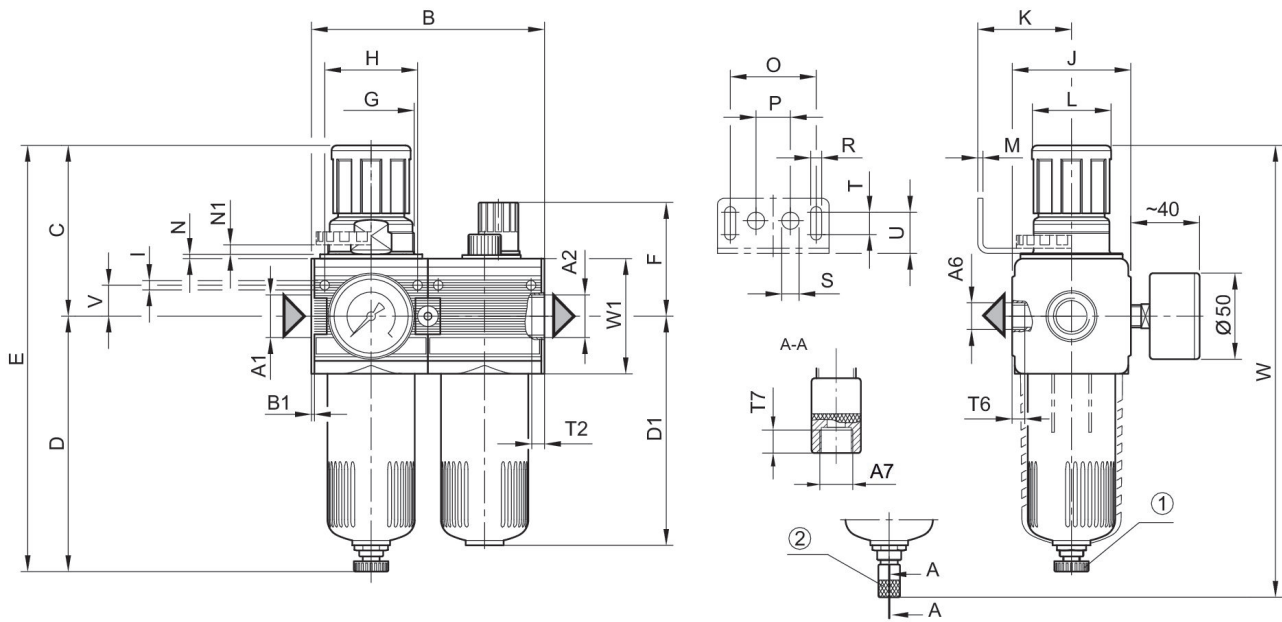
Air preparation unit, 2-part, Series NL4-ACD

NL4

0821300502

2024-04-24

Dimensions



A1 = input A2 = output

A7 = condensate drain

1) Semi-automatic condensate drain 2) fully automatic condensate drain

Dimensions in mm

| Part No. | A1 | A2 | A6 | A7 | B | B1 | C | D | D1 |
|------------|-------|-------|-------|-------|-------|-----|-------|-----|-----|
| 0821300500 | G 1/2 | G 1/2 | G 1/4 | G 1/8 | 135.6 | 1.8 | 100.5 | 147 | 132 |
| 0821300503 | G 1/2 | G 1/2 | G 1/4 | G 1/8 | 135.6 | 1.8 | 100.5 | 147 | 132 |
| 0821300501 | G 1/2 | G 1/2 | G 1/4 | G 1/8 | 135.6 | 1.8 | 100.5 | 147 | 132 |
| 0821300504 | G 1/2 | G 1/2 | G 1/4 | G 1/8 | 135.6 | 1.8 | 100.5 | 147 | 132 |
| 0821300502 | G 1/2 | G 1/2 | G 1/4 | G 1/8 | 135.6 | 1.8 | 100.5 | 147 | 132 |
| 0821300505 | G 1/2 | G 1/2 | G 1/4 | G 1/8 | 135.6 | 1.8 | 100.5 | 147 | 132 |
| 0821300530 | G 3/4 | G 3/4 | G 1/4 | G 1/8 | 135.6 | 1.8 | 100.5 | 147 | 132 |
| 0821300533 | G 3/4 | G 3/4 | G 1/4 | G 1/8 | 135.6 | 1.8 | 100.5 | 147 | 132 |
| 0821300531 | G 3/4 | G 3/4 | G 1/4 | G 1/8 | 135.6 | 1.8 | 100.5 | 147 | 132 |
| 0821300534 | G 3/4 | G 3/4 | G 1/4 | G 1/8 | 135.6 | 1.8 | 100.5 | 147 | 132 |
| 0821300532 | G 3/4 | G 3/4 | G 1/4 | G 1/8 | 135.6 | 1.8 | 100.5 | 147 | 132 |
| 0821300535 | G 3/4 | G 3/4 | G 1/4 | G 1/8 | 135.6 | 1.8 | 100.5 | 147 | 132 |

| Part No. | E | F | G | H | I | J | K | L | M |
|------------|-------|----|---------|----|-----|----|------|----|---|
| 0821300500 | 247.5 | 65 | M50x1,5 | 54 | 5.5 | 69 | 54.5 | 46 | 3 |
| 0821300503 | 247.5 | 65 | M50x1,5 | 54 | 5.5 | 69 | 54.5 | 46 | 3 |
| 0821300501 | 247.5 | 65 | M50x1,5 | 54 | 5.5 | 69 | 54.5 | 46 | 3 |
| 0821300504 | 247.5 | 65 | M50x1,5 | 54 | 5.5 | 69 | 54.5 | 46 | 3 |
| 0821300502 | 247.5 | 65 | M50x1,5 | 54 | 5.5 | 69 | 54.5 | 46 | 3 |
| 0821300505 | 247.5 | 65 | M50x1,5 | 54 | 5.5 | 69 | 54.5 | 46 | 3 |
| 0821300530 | 247.5 | 65 | M50x1,5 | 54 | 5.5 | 69 | 54.5 | 46 | 3 |

Air preparation unit, 2-part, Series NL4-ACD

0821300502

NL4

2024-04-24

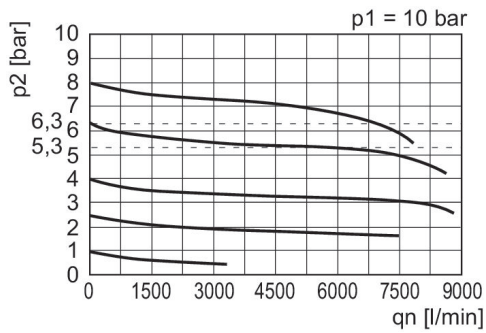
| Part No. | E | F | G | H | I | J | K | L | M |
|------------|-------|----|---------|----|-----|----|------|----|---|
| 0821300533 | 247.5 | 65 | M50x1,5 | 54 | 5.5 | 69 | 54.5 | 46 | 3 |
| 0821300531 | 247.5 | 65 | M50x1,5 | 54 | 5.5 | 69 | 54.5 | 46 | 3 |
| 0821300534 | 247.5 | 65 | M50x1,5 | 54 | 5.5 | 69 | 54.5 | 46 | 3 |
| 0821300532 | 247.5 | 65 | M50x1,5 | 54 | 5.5 | 69 | 54.5 | 46 | 3 |
| 0821300535 | 247.5 | 65 | M50x1,5 | 54 | 5.5 | 69 | 54.5 | 46 | 3 |

| Part No. | N | N1 | O | P | R | S | T | T2 | T6 |
|------------|---|-----|----|----|-----|----|----|----|----|
| 0821300500 | 3 | 5.5 | 50 | 20 | 6.4 | 10 | 13 | 13 | 7 |
| 0821300503 | 3 | 5.5 | 50 | 20 | 6.4 | 10 | 13 | 13 | 7 |
| 0821300501 | 3 | 5.5 | 50 | 20 | 6.4 | 10 | 13 | 13 | 7 |
| 0821300504 | 3 | 5.5 | 50 | 20 | 6.4 | 10 | 13 | 13 | 7 |
| 0821300502 | 3 | 5.5 | 50 | 20 | 6.4 | 10 | 13 | 13 | 7 |
| 0821300505 | 3 | 5.5 | 50 | 20 | 6.4 | 10 | 13 | 13 | 7 |
| 0821300530 | 3 | 5.5 | 50 | 20 | 6.4 | 10 | 13 | 13 | 7 |
| 0821300533 | 3 | 5.5 | 50 | 20 | 6.4 | 10 | 13 | 13 | 7 |
| 0821300531 | 3 | 5.5 | 50 | 20 | 6.4 | 10 | 13 | 13 | 7 |
| 0821300534 | 3 | 5.5 | 50 | 20 | 6.4 | 10 | 13 | 13 | 7 |
| 0821300532 | 3 | 5.5 | 50 | 20 | 6.4 | 10 | 13 | 13 | 7 |
| 0821300535 | 3 | 5.5 | 50 | 20 | 6.4 | 10 | 13 | 13 | 7 |

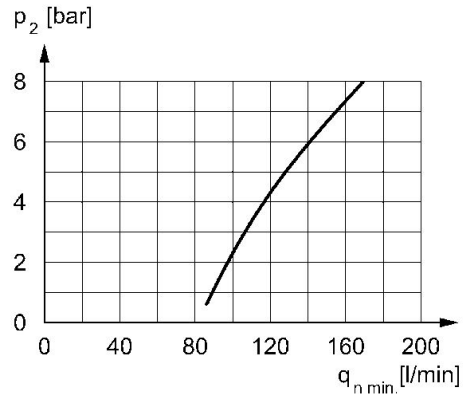
| Part No. | T7 | U | V | W | W1 |
|------------|-----|----|----|-------|----|
| 0821300500 | 8.5 | 24 | 18 | 262.5 | 67 |
| 0821300503 | 8.5 | 24 | 18 | 262.5 | 67 |
| 0821300501 | 8.5 | 24 | 18 | 262.5 | 67 |
| 0821300504 | 8.5 | 24 | 18 | 262.5 | 67 |
| 0821300502 | 8.5 | 24 | 18 | 262.5 | 67 |
| 0821300505 | 8.5 | 24 | 18 | 262.5 | 67 |
| 0821300530 | 8.5 | 24 | 18 | 262.5 | 67 |
| 0821300533 | 8.5 | 24 | 18 | 262.5 | 67 |
| 0821300531 | 8.5 | 24 | 18 | 262.5 | 67 |
| 0821300534 | 8.5 | 24 | 18 | 262.5 | 67 |
| 0821300532 | 8.5 | 24 | 18 | 262.5 | 67 |
| 0821300535 | 8.5 | 24 | 18 | 262.5 | 67 |

Flow rate characteristic, $p_2 = 0,05 - 7$ bar

minimum flow rate curve (flow rate necessary for the correct functioning of the lubricator)



p_1 = Working pressure p_2 = Secondary pressure q_n = Nominal flow



p_1 = operating pressure p_2 = secondary pressure q_n = nominal flow $q_{n \min.}$ = min. nominal flow