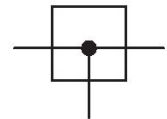


## AVENTICS Series NL4 Air Preparation Units

The AVENTICS Series NL maintenance units are suitable for all areas: as individual components or as assembled maintenance units, for centralized or decentralized compressed air preparation, in compact or powerful versions, for use in high or low temperatures. This line offers a complete, customizable compressed air preparation technology. It includes an option to combine every component in the Series to achieve the desired function, making it possible to adjust the components precisely to the application requirements.



### Technical data

Industry	Industrial
Parts	Distributor
Port	G 3/4
Type	Center infeed
Type	Can be assembled into blocks
Version	Distributor 1x
Mounting orientation	Any
Min. working pressure	0 bar
Max. working pressure	16 bar
Min. ambient temperature	-10 °C
Max. ambient temperature	60 °C
Medium	Compressed air Neutral gases
Nominal flow Qn	11000 l/min
Nominal flow Qn 1 to 2	11000 l/min
Nominal flow Qn 1 to 3	11000 l/min
Weight	0.593 kg
Housing material	Die cast zinc
Material front plate	Acrylonitrile butadiene styrene
	0821300928

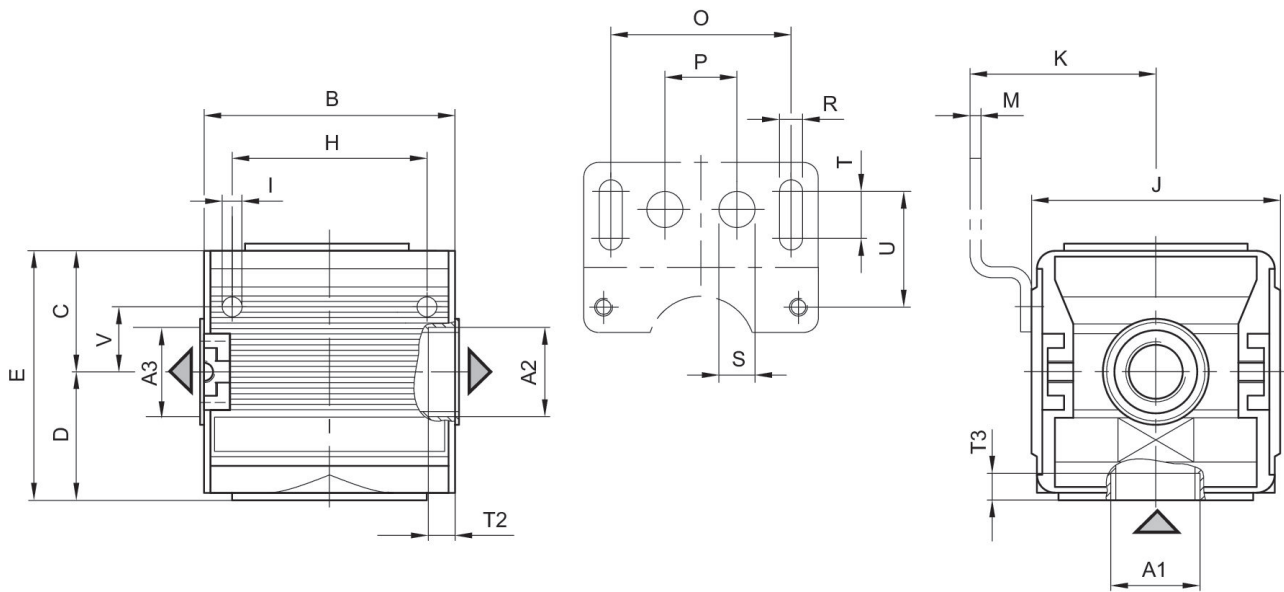
## Technical information

The pressure dew point must be at least 15 °C less than ambient and medium temperature and may not exceed 3 °C.

A change in the flow direction (from air supply on the left to air supply on the right) occurs by rotating installation by 180° about the vertical axis. Please see the operating instructions for further details.

Nominal flow  $Q_n$  with secondary pressure  $p_2 = 6$  bar at  $\Delta p = 1$  bar

## Dimensions



A1 = input A2 = output A3 = output

## Dimensions in mm

Part No.	A1	A2	A3	B	C	D	E	H	I
0821300928	G 1/2	G 1/2	G 1/2	66	35.5	35.5	71	54	5.5

Part No.	J	K	M	O	P	R	S	T	T2
0821300928	69	54.5	3	50	20	6.4	10	13	13

Part No.	T3	U	V
0821300928	10.5	33	18