

AVENTICS Series NL4 Air Preparation Units

The AVENTICS Series NL maintenance units are suitable for all areas: as individual components or as assembled maintenance units, for centralized or decentralized compressed air preparation, in compact or powerful versions, for use in high or low temperatures. This line offers a complete, customizable compressed air preparation technology. It includes an option to combine every component in the Series to achieve the desired function, making it possible to adjust the components precisely to the application requirements.



Technical data

Industry	Industrial
Parts	Filter
Reservoir	reservoir, metal, with inspection glass
Port	G 1/2
Filter porosity	5 µm
Nominal flow Qn	4000 l/min
Condensate drain	fully automatic, open without pressure
Min. working pressure	1.5 bar
Max. working pressure	16 bar
Min. ambient temperature	-10 °C
Max. ambient temperature	60 °C
Medium	Compressed air Neutral gases
Max. achievable compressed air class acc. to ISO 8573-1:2010	6 : 7 : -
Filter reservoir volume	50 cm ³
Filter element	exchangeable
Weight	1.29 kg
inspection glass	with window
Mounting orientation	vertical

Type Can be assembled into blocks

Material

Housing material	Die cast zinc
Material front plate	Acrylonitrile butadiene styrene
Seal material	Acrylonitrile butadiene rubber
Material reservoir	Die cast zinc
Material filter insert	Cellpor
Part No.	0821303505

Technical information

The pressure dew point must be at least 15 °C less than ambient and medium temperature and may not exceed 3 °C.

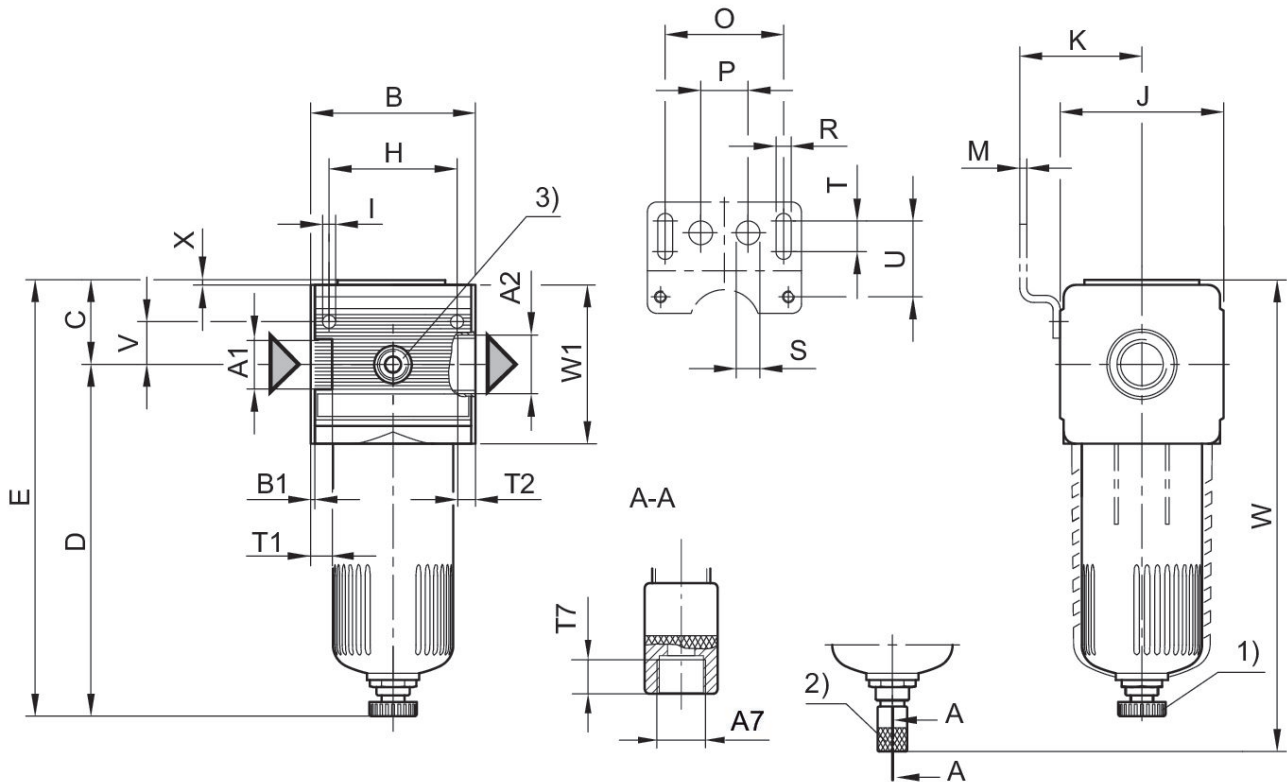
Note: Polycarbonate reservoirs are susceptible to solvents, supplementary information can be found at "Customer information".

A change in the flow direction (from air supply on the left to air supply on the right) occurs by rotating installation by 180° about the vertical axis. Please see the operating instructions for further details.

Also suitable for separation of fluid oil or water due to the design.

Nominal flow Q_n with secondary pressure $p_2 = 6$ bar at $\Delta p = 1$ bar

Dimensions



A1 = input A2 = output

A7 = condensate drain

1) Semi-automatic condensate drain 2) fully automatic condensate drain

3) Optional pressure gauge connection G 1/4

Dimensions in mm

Part No.	A1	A2	A7	B	B1	C	D	E	H
0821303500	G 1/2	G 1/2	G 1/8	69.6	1.8	36.5	146.5	183	54
0821303501	G 1/2	G 1/2	G 1/8	69.6	1.8	36.5	146.5	183	54
0821303502	G 1/2	G 1/2	G 1/8	69.6	1.8	36.5	146.5	183	54
0821303503	G 1/2	G 1/2	G 1/8	69.6	1.8	36.5	146.5	183	54
0821303504	G 1/2	G 1/2	G 1/8	69.6	1.8	36.5	146.5	183	54
0821303505	G 1/2	G 1/2	G 1/8	69.6	1.8	36.5	146.5	183	54
0821303559	G 1/2	G 1/2	G 1/8	69.6	1.8	36.5	146.5	183	54
0821303540	G 3/4	G 3/4	G 1/8	69.6	1.8	36.5	146.5	183	54
0821303558	G 3/4	G 3/4	G 1/8	69.6	1.8	36.5	146.5	183	54
0821303541	G 3/4	G 3/4	G 1/8	69.6	1.8	36.5	146.5	183	54
0821303542	G 3/4	G 3/4	G 1/8	69.6	1.8	36.5	146.5	183	54
0821303543	G 3/4	G 3/4	G 1/8	69.6	1.8	36.5	146.5	183	54
0821303544	G 3/4	G 3/4	G 1/8	69.6	1.8	36.5	146.5	183	54
0821303545	G 3/4	G 3/4	G 1/8	69.6	1.8	36.5	146.5	183	54

Filter, Series NL4-FLS

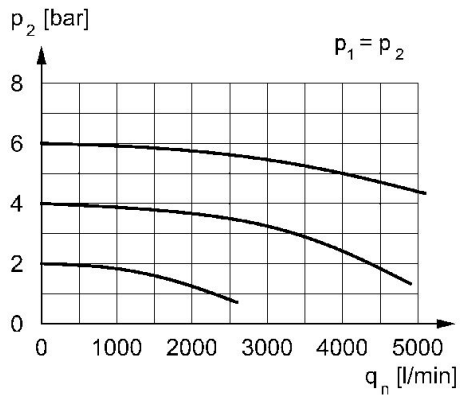
2024-04-24

0821303505

Part No.	I	J	K	M	O	P	R	S	T
0821303500	5.5	69	54.5	3	50	20	6.4	10	13
0821303501	5.5	69	54.5	3	50	20	6.4	10	13
0821303502	5.5	69	54.5	3	50	20	6.4	10	13
0821303503	5.5	69	54.5	3	50	20	6.4	10	13
0821303504	5.5	69	54.5	3	50	20	6.4	10	13
0821303505	5.5	69	54.5	3	50	20	6.4	10	13
0821303559	5.5	69	54.5	3	50	20	6.4	10	13
0821303540	5.5	69	54.5	3	50	20	6.4	10	13
0821303558	5.5	69	54.5	3	50	20	6.4	10	13
0821303541	5.5	69	54.5	3	50	20	6.4	10	13
0821303542	5.5	69	54.5	3	50	20	6.4	10	13
0821303543	5.5	69	54.5	3	50	20	6.4	10	13
0821303544	5.5	69	54.5	3	50	20	6.4	10	13
0821303545	5.5	69	54.5	3	50	20	6.4	10	13

Part No.	T1	T2	T7	U	V	W	W1	X
0821303500	13	13	8.5	33	18	199	67	3
0821303501	13	13	8.5	33	18	199	67	3
0821303502	13	13	8.5	33	18	199	67	3
0821303503	13	13	8.5	33	18	199	67	3
0821303504	13	13	8.5	33	18	199	67	3
0821303505	13	13	8.5	33	18	199	67	3
0821303559	13	13	8.5	33	18	199	67	3
0821303540	13	13	8.5	33	18	199	67	3
0821303558	13	13	8.5	33	18	199	67	3
0821303541	13	13	8.5	33	18	199	67	3
0821303542	13	13	8.5	33	18	199	67	3
0821303543	13	13	8.5	33	18	199	67	3
0821303544	13	13	8.5	33	18	199	67	3
0821303545	13	13	8.5	33	18	199	67	3

Flow rate characteristic, $p_2 = 0,05 - 7$ bar



p_2 = secondary pressure q_n = nominal flow