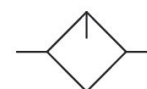


AVENTICS Series NL4 Air Preparation Units

The AVENTICS Series NL maintenance units are suitable for all areas: as individual components or as assembled maintenance units, for centralized or decentralized compressed air preparation, in compact or powerful versions, for use in high or low temperatures. This line offers a complete, customizable compressed air preparation technology. It includes an option to combine every component in the Series to achieve the desired function, making it possible to adjust the components precisely to the application requirements.



Technical data

Industry	Industrial
Parts	Lubricator
Reservoir	reservoir, polycarbonate, without protective guard
Compressed air connection	G 1/2
Nominal flow Qn	4700 l/min
Mounting orientation	vertical
Min. working pressure	0.5 bar
Max. working pressure	16 bar
Min. ambient temperature	-10 °C
Max. ambient temperature	60 °C
Medium	Compressed air Neutral gases
Type of filling	Manual oil filling
Lubricator reservoir volume	125 cm ³
Oil dosing at 1000 l/min	10-20 drops
Function	Micro oil-mist lubricator
Function	Can be assembled into blocks

Material

Housing material	Die cast zinc
Material front plate	Acrylonitrile butadiene styrene
Seal material	Acrylonitrile butadiene rubber
Material reservoir	Polycarbonate
Part No.	R412007654

Technical information

The pressure dew point must be at least 15 °C less than ambient and medium temperature and may not exceed 3 °C.

Only approx. 10% of the preset drip quantity enters the compressed air system.

oil filling not possible during operation.

Note: Polycarbonate reservoirs are susceptible to solvents, supplementary information can be found at "Customer information".

A change in the flow direction (from air supply on the left to air supply on the right) occurs by rotating installation by 180° about the vertical axis. Please see the operating instructions for further details.

Nominal flow Q_n with secondary pressure $p_2 = 6$ bar at $\Delta p = 1$ bar

Fig. 3

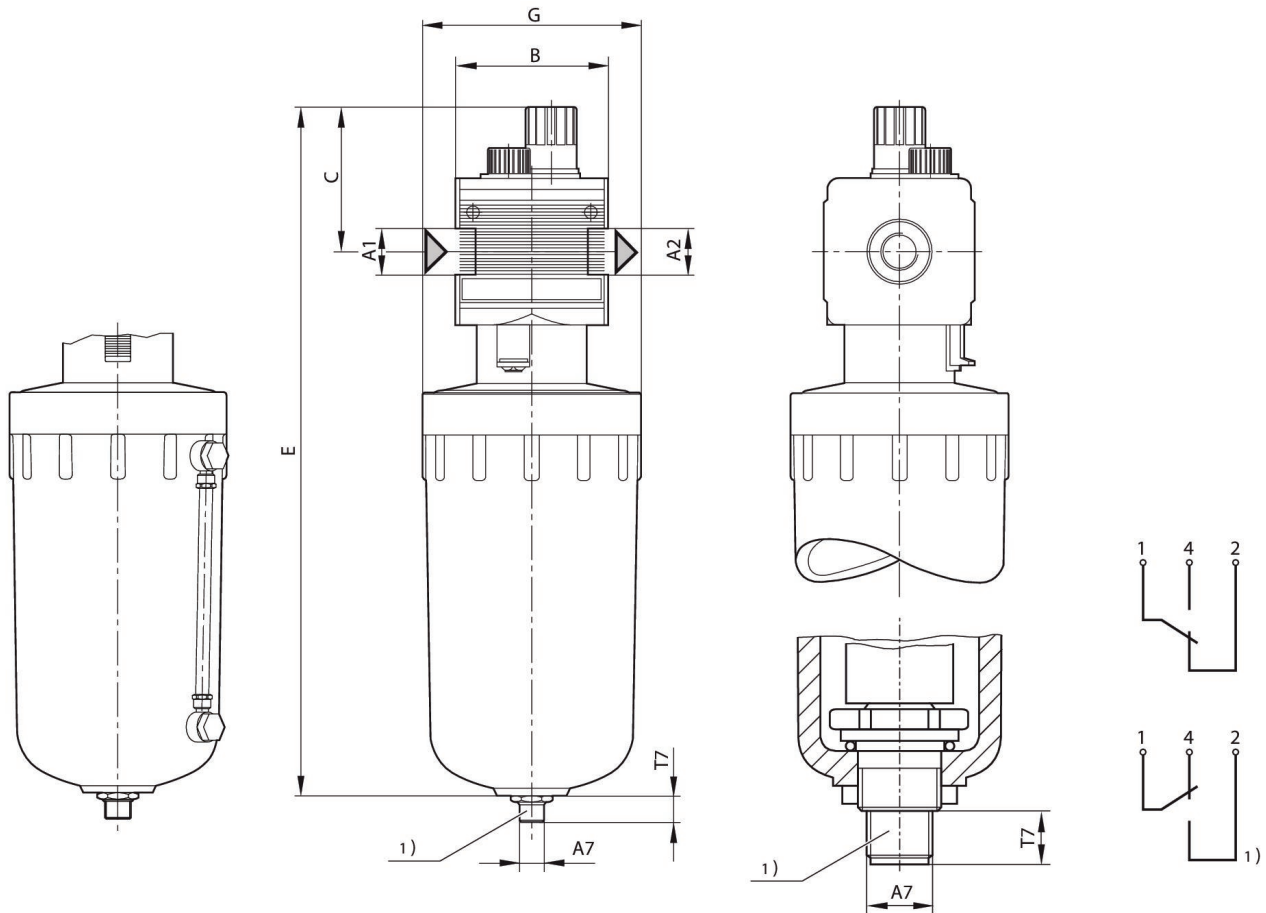
Dimensions

Micro oil-mist lubricator, Series NL4-LBM

2024-04-24

R412007654

Metal reservoir



A1 = input A2 = output

1) electrical level indicator – connection: 4-pin, M12x1 – contact load: 50 V AC/0.5 A/5 W – type: 1 change-over contact (make contact/break contact) for min. fluid level

Order valve plug connector (M12x1) separately

Dimensions in mm

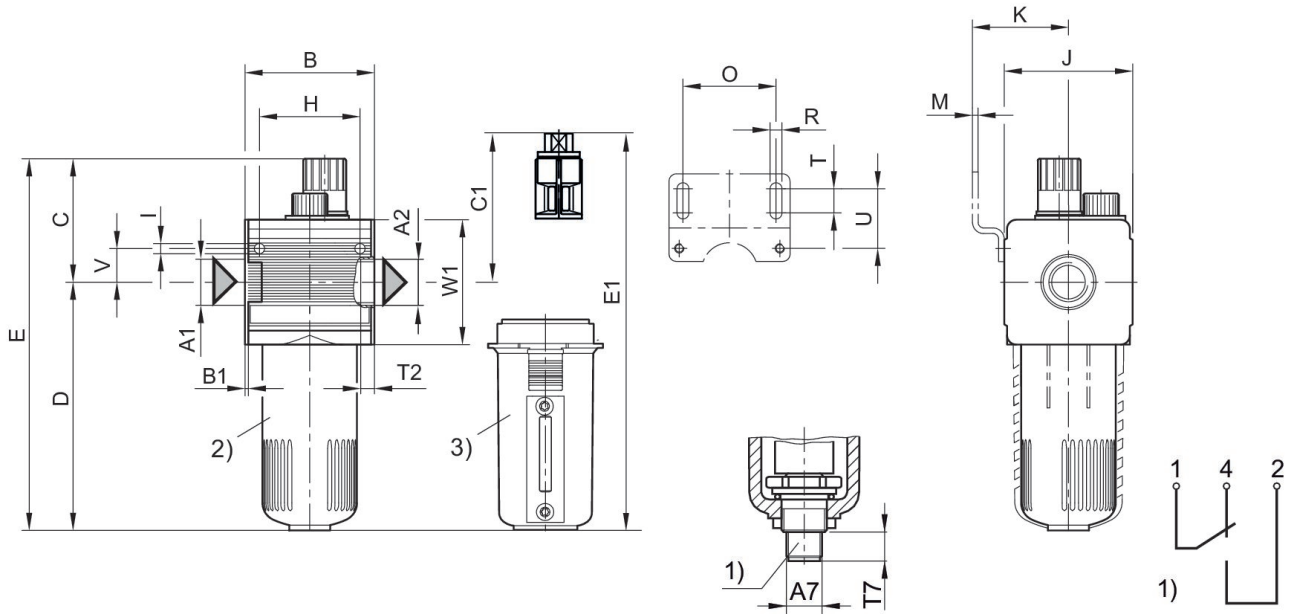
Part No.	A1	A2	A7	B ±5	C ±5	E	G ±5	T7
R412007658	G 1/2	1 L	G 1/2	M12x1	69.6	66	315	12
R412007659	G 1/2	1,5 L	G 1/2	M12x1	69.6	66	415	12

Micro oil-mist lubricator, Series NL4-LBM

2024-04-24

R412007654

Dimensions



A1 = input A2 = output

1) electrical level indicator – connection: 4-pin, M12x1 – contact load: 50 V AC/0.5 A/5 W – type: 1 change-over contact (make contact/break contact) for min. fluid level

Order valve plug connector (M12x1) separately

2) PC reservoir

3) Metal reservoir with level indicator

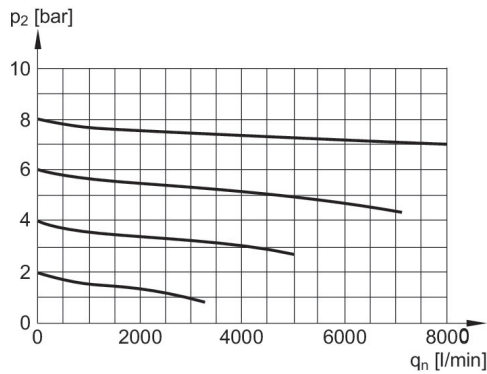
Dimensions in mm

Part No.	A1	A2	A7	B	B1	C	C1	D	E
R412007654	G 1/2	G 1/2	M12x1	69.5	1.8	65	-	132	197
R412007655	G 1/2	G 1/2	M12x1	69.5	1.8	65	81	132	197
R412007657	G 1/2	G 1/2	M12x1	69.5	1.8	65	-	132	197

Part No.	E1	H	I	J	K	M	O	P	R
R412007654	-	54	5.5	67	54.5	3	50	20	6.4
R412007655	212	54	5.5	67	54.5	3	50	20	6.4
R412007657	-	54	5.5	67	54.5	3	50	20	6.4

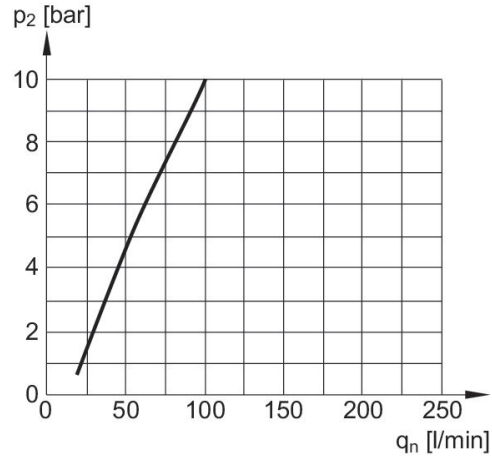
Part No.	S	T	T2	T7	U	V	W1
R412007654	10	13	13	12	33	18	67
R412007655	10	13	13	12	33	18	67
R412007657	10	13	13	12	33	18	67

Flow rate characteristic, $p_2 = 0,05 - 7$ bar



p_2 = secondary pressure q_n = nominal flow

minimum flow rate curve (flow rate necessary for the correct functioning of the lubricator)



p_2 = secondary pressure $q_{nmin.}$ = min. nominal flow