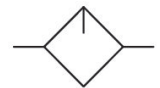


0821301500

## AVENTICS Series NL4 Air Preparation Units

The AVENTICS Series NL maintenance units are suitable for all areas: as individual components or as assembled maintenance units, for centralized or decentralized compressed air preparation, in compact or powerful versions, for use in high or low temperatures. This line offers a complete, customizable compressed air preparation technology. It includes an option to combine every component in the Series to achieve the desired function, making it possible to adjust the components precisely to the application requirements.



## Technical data

|                             |   |
|-----------------------------|---|
| Industry                    | Industrial                              |
| Parts                       | Lubricator                              |
| Reservoir                   | reservoir, PA, without protective guard |
| Compressed air connection   | G 1/2                                   |
| Nominal flow Q <sub>n</sub> | 6000 l/min                              |
| Mounting orientation        | vertical                                |
| Min. working pressure       | 0.5 bar                                 |
| Max. working pressure       | 16 bar                                  |
| Min. ambient temperature    | -10 °C                                  |
| Max. ambient temperature    | 60 °C                                   |
| Medium                      | Compressed air<br>Neutral gases         |
| Type of filling             | Manual oil filling                      |
| Lubricator reservoir volume | 125 cm <sup>3</sup>                     |
| Oil dosing at 1000 l/min    | 1-2 drops                               |
| Function                    | Oil-mist lubricator                     |
| Function                    | Can be assembled into blocks            |
| Weight                      | 0.684 kg                                |

0821301500

## Material

|                           |                                 |
|---------------------------|---------------------------------|
| Housing material          | Die cast zinc                   |
| Material front plate      | Acrylonitrile butadiene styrene |
| Seal material             | Acrylonitrile butadiene rubber  |
| Material threaded bushing | Die cast zinc                   |
| Material reservoir        | Polycarbonate                   |
| Part No.                  | 0821301500                      |

## Technical information

The pressure dew point must be at least 15 °C less than ambient and medium temperature and may not exceed 3 °C.

The entire preset drip quantity enters the pressure system.

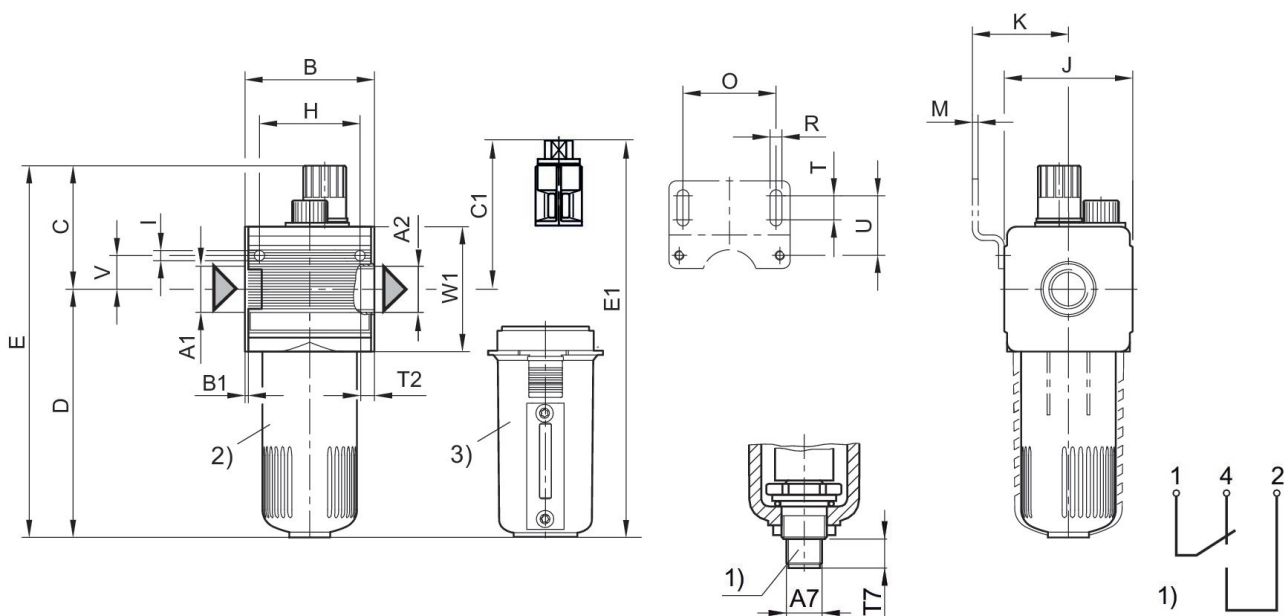
Manual oil filling possible during operation.

Note: Polycarbonate reservoirs are susceptible to solvents, supplementary information can be found at "Customer information".

A change in the flow direction (from air supply on the left to air supply on the right) occurs by rotating installation by 180° about the vertical axis. Please see the operating instructions for further details.

Nominal flow  $Q_n$  with secondary pressure  $p_2 = 6$  bar at  $\Delta p = 1$  bar

## Dimensions



A1 = input A2 = output

1) electrical level indicator – connection: 4-pin, M12x1 – contact load: 50 V AC/0.5 A/5 W – type: 1 change-over contact (make contact/break contact) for min. fluid level

Order valve plug connector (M12x1) separately

# Standard oil-mist lubricator, Series NL4-LBS

2024-04-24

0821301500

- 2) PC reservoir
- 3) Metal reservoir with level indicator

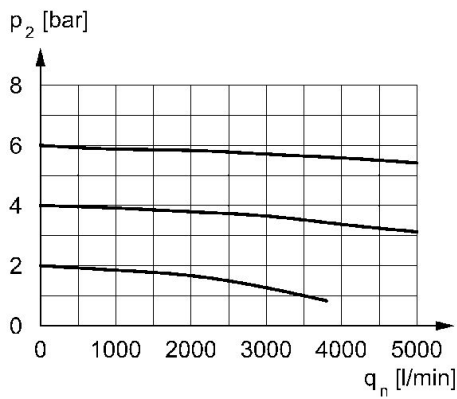
## Dimensions in mm

| Part No. G 1/2 | A1    | A2    | A7    | B    | B1  | C  | C1 | D   | D2 |
|----------------|-------|-------|-------|------|-----|----|----|-----|----|
| 0821301500     | G 1/2 | G 1/2 | M12x1 | 69.5 | 1.8 | 65 | -  | 132 | 12 |
| 0821301501     | G 1/2 | G 1/2 | M12x1 | 69.5 | 1.8 | 65 | -  | 132 | 12 |
| 0821301502     | G 1/2 | G 1/2 | M12x1 | 69.5 | 1.8 | 65 | 81 | 132 | 12 |
| 0821301515     | G 1/2 | G 1/2 | M12x1 | 69.5 | 1.8 | 65 | -  | 132 | 12 |
| 0821301540     | G 3/4 | G 3/4 | M12x1 | 69.5 | 1.8 | 65 | -  | 132 | 12 |
| 0821301541     | G 3/4 | G 3/4 | M12x1 | 69.5 | 1.8 | 65 | -  | 132 | 12 |
| 0821301542     | G 3/4 | G 3/4 | M12x1 | 69.5 | 1.8 | 65 | 81 | 132 | 12 |
| 0821301545     | G 3/4 | G 3/4 | M12x1 | 69.5 | 1.8 | 65 | -  | 132 | 12 |

| Part No. G 1/2 | E   | E1  | F     | H  | I   | J  | K    | M | O  |
|----------------|-----|-----|-------|----|-----|----|------|---|----|
| 0821301500     | 197 | -   | M12x1 | 54 | 5.5 | 67 | 54.5 | 3 | 50 |
| 0821301501     | 197 | -   | M12x1 | 54 | 5.5 | 67 | 54.5 | 3 | 50 |
| 0821301502     | 197 | 212 | M12x1 | 54 | 5.5 | 67 | 54.5 | 3 | 50 |
| 0821301515     | 197 | -   | M12x1 | 54 | 5.5 | 67 | 54.5 | 3 | 50 |
| 0821301540     | 197 | -   | M12x1 | 54 | 5.5 | 67 | 54.5 | 3 | 50 |
| 0821301541     | 197 | -   | M12x1 | 54 | 5.5 | 67 | 54.5 | 3 | 50 |
| 0821301542     | 197 | 212 | M12x1 | 54 | 5.5 | 67 | 54.5 | 3 | 50 |
| 0821301545     | 197 | -   | M12x1 | 54 | 5.5 | 67 | 54.5 | 3 | 50 |

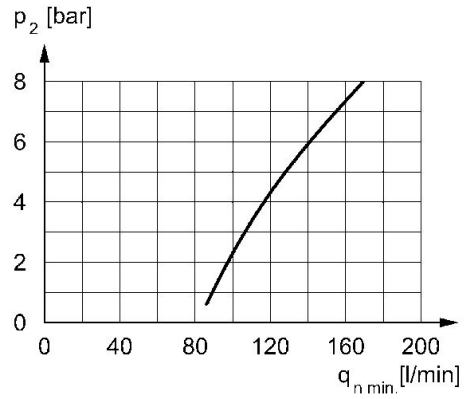
| Part No. G 1/2 | P  | R   | S  | T  | T2 | T7 | U  | V  | W1 |
|----------------|----|-----|----|----|----|----|----|----|----|
| 0821301500     | 20 | 6.4 | 10 | 13 | 13 | 12 | 33 | 18 | 67 |
| 0821301501     | 20 | 6.4 | 10 | 13 | 13 | 12 | 33 | 18 | 67 |
| 0821301502     | 20 | 6.4 | 10 | 13 | 13 | 12 | 33 | 18 | 67 |
| 0821301515     | 20 | 6.4 | 10 | 13 | 13 | 12 | 33 | 18 | 67 |
| 0821301540     | 20 | 6.4 | 10 | 13 | 13 | 12 | 33 | 18 | 67 |
| 0821301541     | 20 | 6.4 | 10 | 13 | 13 | 12 | 33 | 18 | 67 |
| 0821301542     | 20 | 6.4 | 10 | 13 | 13 | 12 | 33 | 18 | 67 |
| 0821301545     | 20 | 6.4 | 10 | 13 | 13 | 12 | 33 | 18 | 67 |

Flow rate characteristic,  $p_2 = 0,05 - 7$  bar



$p_2$  = secondary pressure  $q_n$  = nominal flow

minimum flow rate curve (flow rate necessary for the correct functioning of the lubricator)



$p_2$  = secondary pressure  $q_{n.min.}$  = min. nominal flow