

Precision pressure regulator, Series NL4-RGP-...-DS

2024-04-24

0821302526

AVENTICS Series NL4 Air Preparation Units

The AVENTICS Series NL maintenance units are suitable for all areas: as individual components or as assembled maintenance units, for centralized or decentralized compressed air preparation, in compact or powerful versions, for use in high or low temperatures. This line offers a complete, customizable compressed air preparation technology. It includes an option to combine every component in the Series to achieve the desired function, making it possible to adjust the components precisely to the application requirements.



Technical data

Industry	Industrial
Function	Precision pressure regulator
Parts	Precision pressure regulator with continuous pressure supply without pressure gauge
Pressure gauge	Any
Mounting orientation	Diaphragm-type pressure regulator
Regulator type	G 1/2
Port	5600 l/min
Nominal flow Qn	0.5 bar
Min. regulation range	10 bar
Max. regulation range	0.5 bar
Min. working pressure	16 bar
Max. working pressure	-10 °C
Min. ambient temperature	60 °C
Max. ambient temperature	Mechanical
Activation	with relieving air exhaust
Regulator function	Can be assembled into blocks
Regulator type	double
Pressure supply	not lockable
Lock type	

Precision pressure regulator, Series NL4-RGP-...-DS

2024-04-24

0821302526

with continuous pressure supply	with continuous pressure supply
Max. internal air consumption q_v	2.6 l/min
Max. pressure gauge \varnothing in blocked state	40 mm
Medium	Compressed air Neutral gases
Recommended pre-filtering	5 μ m
Weight	0.867 kg

Material

Housing material	Die cast zinc
Material front plate	Acrylonitrile butadiene styrene
Seal material	Acrylonitrile butadiene rubber
Part No.	0821302526

Technical information

The pressure dew point must be at least 15 °C less than ambient and medium temperature and may not exceed 3 °C.

Nominal flow Q_n with secondary pressure $p_2 = 6$ bar at $\Delta p = 1$ bar

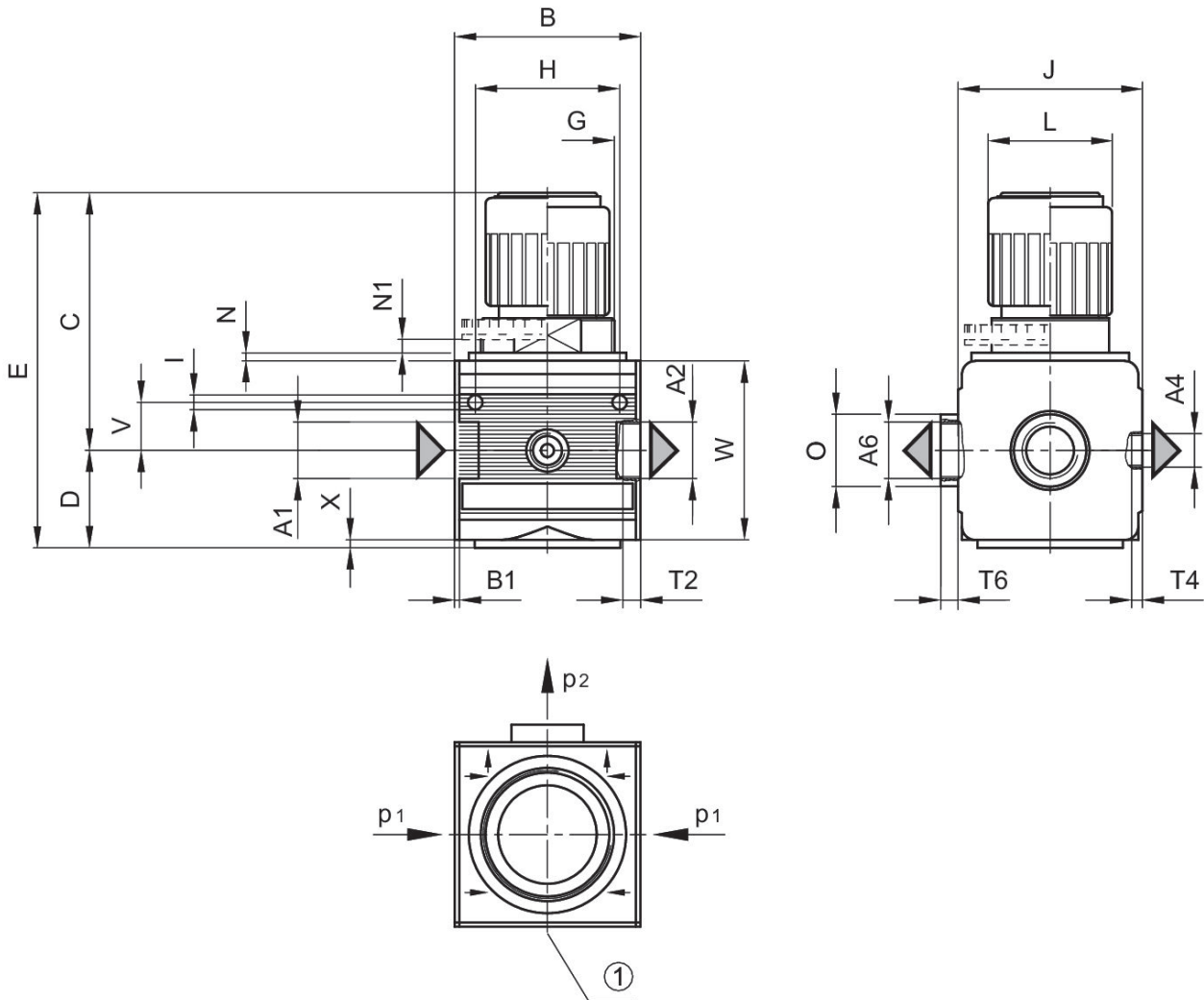
The rear pressure gauge connection on the pressure regulator is closed with a blanking plug, the front connection is open. Depending on the customer application, a second blanking plug may be necessary. Please order separately (see accessories).

Order pressure gauge separately

Precision pressure regulator, Series NL4-RGP-...-DS

2024-04-24

0821302526
Dimensions



A1 = input
A2 = output
A4 = output
A6 = output
1) Pressure gauge connection
p1 = Working pressure
p2 = Secondary pressure

Dimensions in mm

Part No.	A1	A2	A4	A6	B	B1	C	D	E
0821302524	G 1/2	G 1/2	G 1/4	G 1/2	69.6	1.8	97	35.5	132.5
0821302525	G 1/2	G 1/2	G 1/4	G 1/2	69.6	1.8	97	35.5	132.5
0821302526	G 1/2	G 1/2	G 1/4	G 1/2	69.6	1.8	97	35.5	132.5

Part No.	G	H	I	J	L	N	N1	O	T2
0821302524	M50x1,5	54	5.5	69	46	3	5.5	27	13
0821302525	M50x1,5	54	5.5	69	46	3	5.5	27	13

Precision pressure regulator, Series NL4-RGP-...-DS

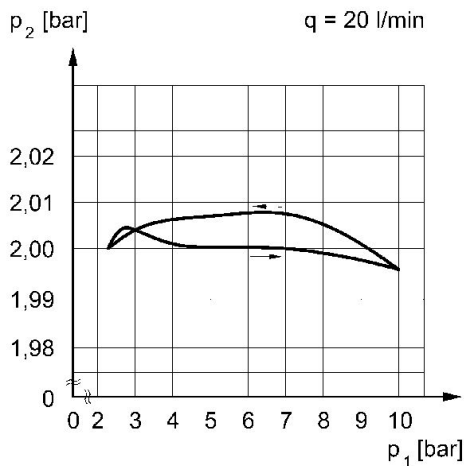
2024-04-24

0821302526

Part No.	G	H	I	J	L	N	N1	O	T2
0821302526	M50x1,5	54	5.5	69	46	3	5.5	27	13

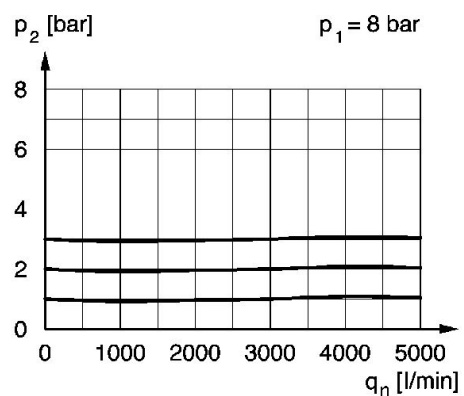
Part No.	T4	T6	V	W	X
0821302524	7	6	18	67	2
0821302525	7	6	18	67	2
0821302526	7	6	18	67	2

Pressure characteristics curve



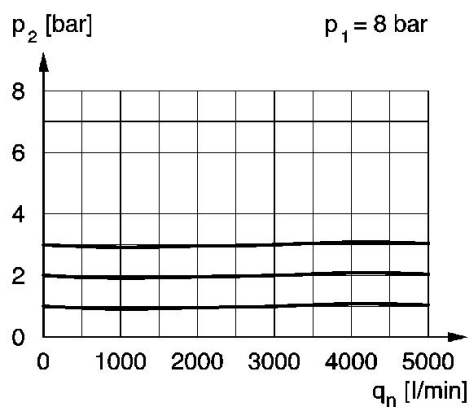
p1 = Working pressure
p2 = Secondary pressure
q = flow rate

Flow rate characteristic, p2 = 0,05 - 7 bar



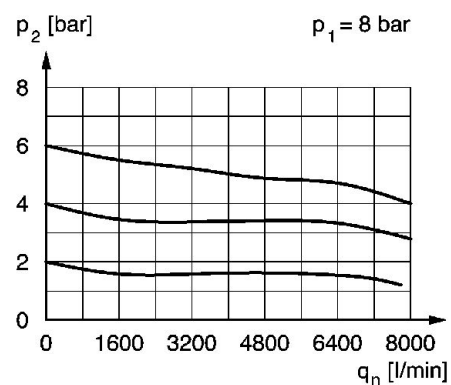
p2 = 0,1 - 3 bar
p1 = Working pressure
p2 = Secondary pressure
qn = Nominal flow

Flow rate characteristic, p2 = 0,05 - 7 bar



p2 = 0,2 - 6 bar
p1 = Working pressure
p2 = Secondary pressure
qn = Nominal flow

Flow rate characteristic, p2 = 0,05 - 7 bar



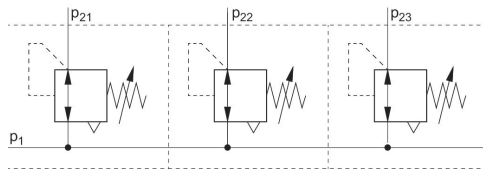
p2 = 0,5 - 10 bar
p1 = Working pressure
p2 = Secondary pressure
qn = Nominal flow

Precision pressure regulator, Series NL4-RGP-...-DS

2024-04-24

0821302526

Application example



p_1 = Working pressure