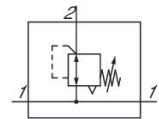


0821302509

AVENTICS Series NL4 Air Preparation Units

The AVENTICS Series NL maintenance units are suitable for all areas: as individual components or as assembled maintenance units, for centralized or decentralized compressed air preparation, in compact or powerful versions, for use in high or low temperatures. This line offers a complete, customizable compressed air preparation technology. It includes an option to combine every component in the Series to achieve the desired function, making it possible to adjust the components precisely to the application requirements.



Technical data

Industry	Industrial
Function	Standard pressure regulator
Parts	Pressure regulator with continuous pressure supply without pressure gauge
Pressure gauge	Any
Mounting orientation	Diaphragm-type pressure regulator
Regulator type	G 1/2
Port	9500 l/min
Nominal flow Qn	0.1 bar
Min. regulation range	3 bar
Max. regulation range	0.5 bar
Min. working pressure	16 bar
Max. working pressure	-10 °C
Min. ambient temperature	60 °C
Max. ambient temperature	Mechanical
Activation	with relieving air exhaust
Regulator function	Can be assembled into blocks
Regulator type	double
Pressure supply	not lockable
Lock type	

0821302509

with continuous pressure supply	with continuous pressure supply
Max. pressure gauge Ø in blocked state	63 mm
Medium	Compressed air Neutral gases
Recommended pre-filtering	5 µm
Weight	0.867 kg

Material

Housing material	Die cast zinc
Material front plate	Acrylonitrile butadiene styrene
Seal material	Acrylonitrile butadiene rubber
Part No.	0821302509

Technical information

The pressure dew point must be at least 15 °C less than ambient and medium temperature and may not exceed 3 °C.

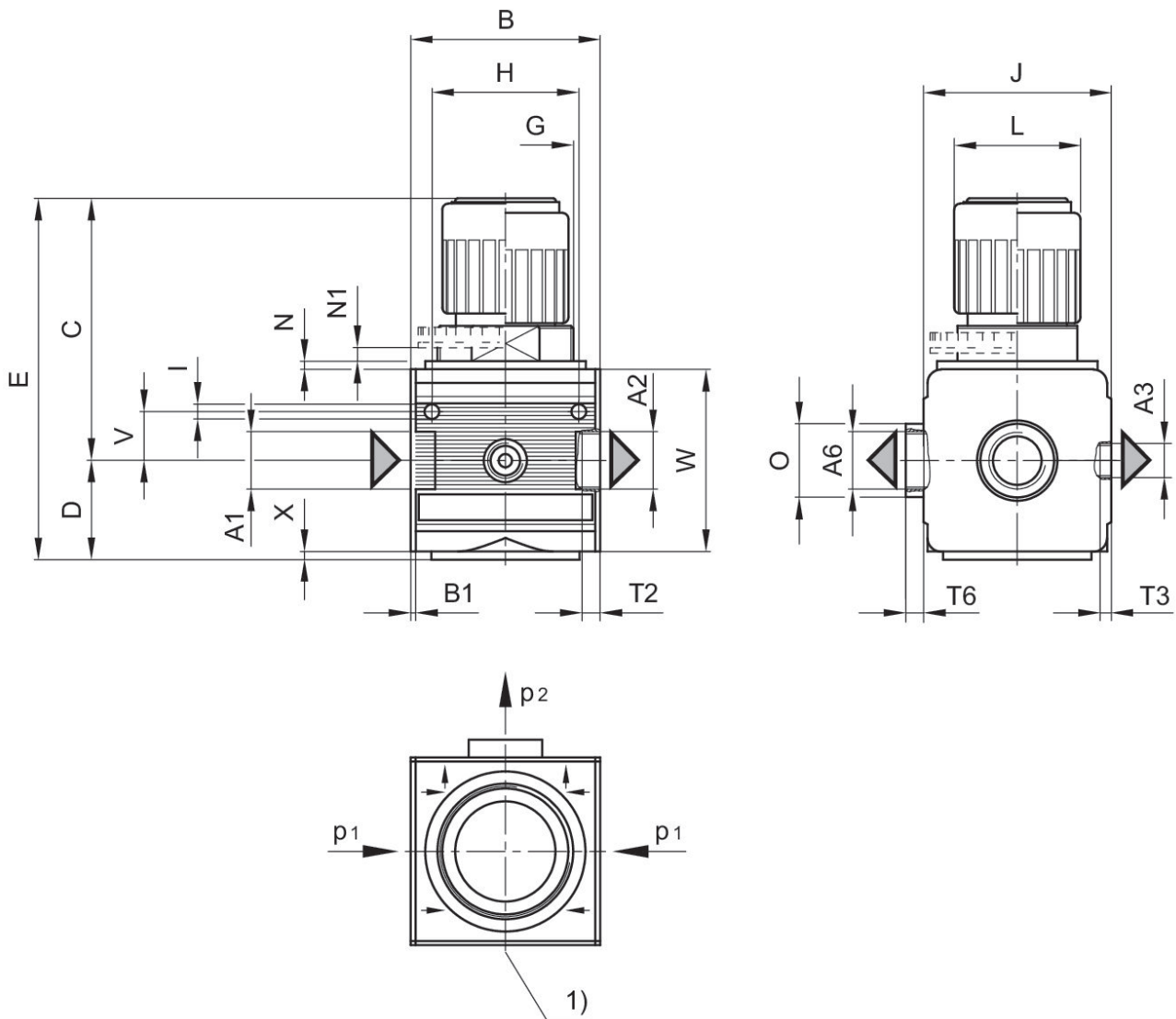
Nominal flow Q_n with secondary pressure $p_2 = 6$ bar at $\Delta p = 1$ bar

The rear pressure gauge connection on the pressure regulator is closed with a blanking plug, the front connection is open. Depending on the customer application, a second blanking plug may be necessary. Please order separately (see accessories).

Relieving exhaust (≤ 0.3 bar over set pressure)

With rear exhaust (>3 bar)

Dimensions



A1 = input A2 = output
 A3 = output A6 = output
 1) pressure gauge connection p1 = working pressure p2 = secondary pressure

Dimensions in mm

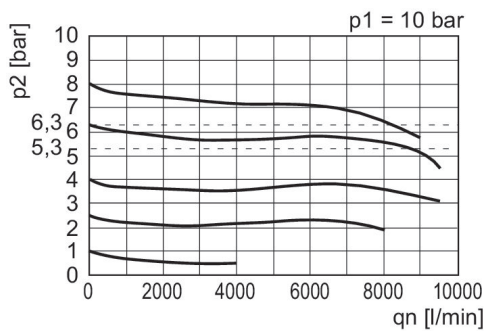
Part No.	A1	A2	A3	A6	B	B1	C	D	E
0821302509	G 1/2	G 1/2	G 1/4	G 1/2	69.6	1.8	97	35.5	132.5
0821302508	G 1/2	G 1/2	G 1/4	G 1/2	69.6	1.8	97	35.5	132.5
0821302507	G 1/2	G 1/2	G 1/4	G 1/2	69.6	1.8	97	35.5	132.5

Part No.	G	H	I	J	L	N	N1	O	T2
0821302509	M50x1,5	54	5.5	69	46	3	5.5	27	13
0821302508	M50x1,5	54	5.5	69	46	3	5.5	27	13
0821302507	M50x1,5	54	5.5	69	46	3	5.5	27	13

0821302509

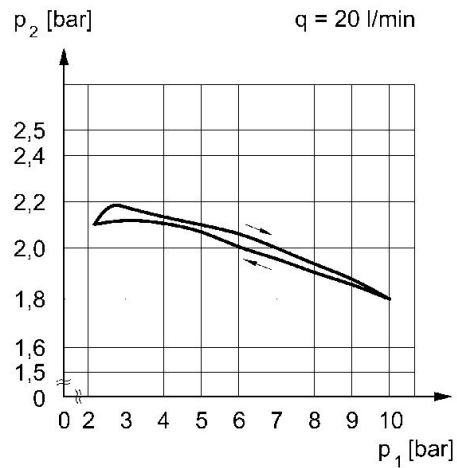
Part No.	T3	T6	V	W	X
0821302509	7	6	18	67	2
0821302508	7	6	18	67	2
0821302507	7	6	18	67	2

Flow rate characteristic (setting range p2: 0.5 - 10 bar)



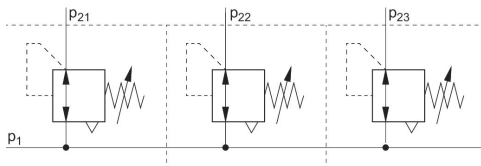
p1 = Working pressure
 p2 = Secondary pressure
 qn = Nominal flow

Pressure characteristics curve



p1 = working pressure p2 = secondary pressure q = flow rate

Application example



p1 = Working pressure