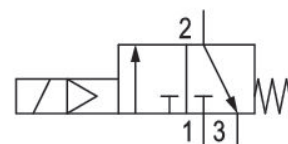


3/2-directional valve, electrically operated, Series NL6-SOV

0821300965

General series information Series NL6

- The AVENTICS Series NL maintenance units are suitable for all areas: as individual components or as assembled maintenance units, for centralized or decentralized compressed air preparation, in compact or powerful versions, for use in high or low temperatures. This line offers a complete, customizable compressed air preparation technology. It includes an option to combine every component in the Series to achieve the desired function, making it possible to adjust the components precisely to the application requirements.



Technical data

Industry	Industrial
Activation	Electrically
Nominal flow Qn	12500 l/min
Compressed air connection	G 1
Working pressure min.	2.5 bar
Working pressure max.	10 bar
DC operating voltage	24 V
Sealing principle	Soft Seal
Pilot	Internal
Connection type	Pipe connection
Parts	3/2-directional valve
Can be assembled into blocks	Can be assembled into blocks
Type	Poppet valve
Min. ambient temperature	-10 °C

Max. ambient temperature	60 °C
Medium	Compressed air Neutral gases
Recommended pre-filtering	8 µm
Compressed air connection, exhaust	G 1/2
Nominal flow Qn 1 to 2	12500 l/min
Nominal flow Qn 2 to 3	3900 l/min
Power consumption DC	4.8 W
Duty cycle	100 %
Protection class with connection	IP65
Reverse polarity protection	Protected against polarity reversal
Electrical connection type 2	Plug
Electrical connection 2, thread size	ISO 6952, form B
Weight	1.49 kg

Material

Housing material	Die-cast aluminum
Seal material	Acrylonitrile butadiene styrene
Material front plate	Acrylonitrile butadiene styrene
Part No.	0821300965

Technical information

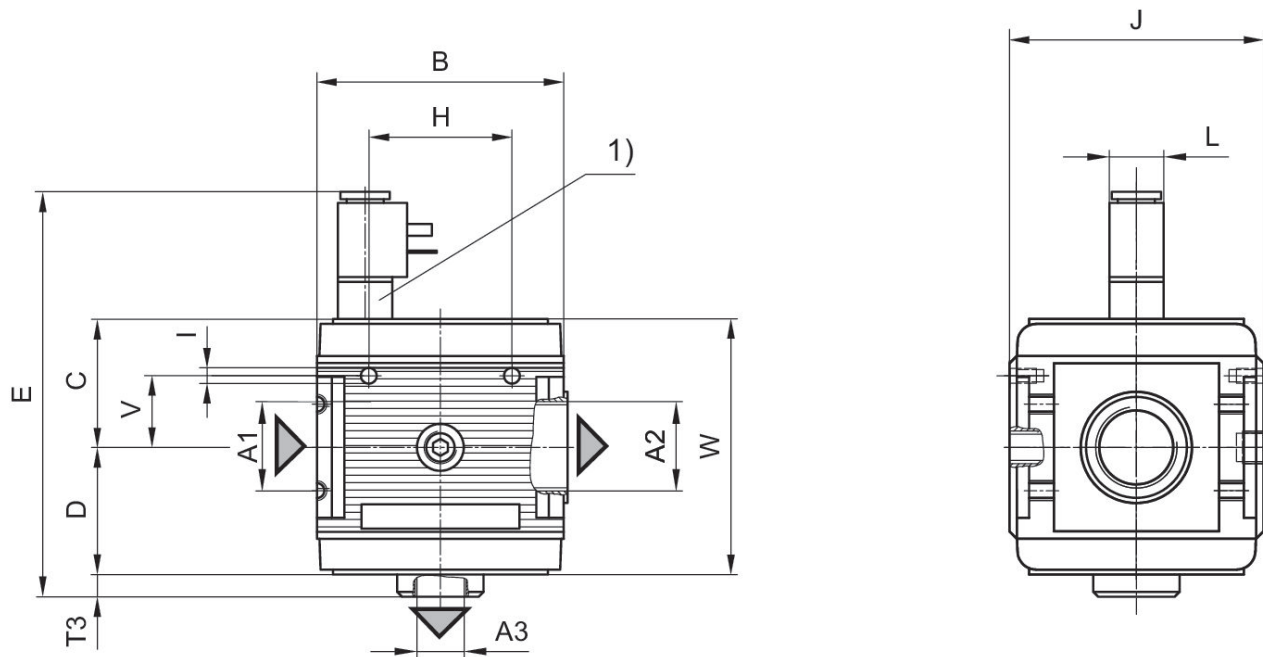
The pressure dew point must be at least 15 °C under ambient and medium temperature and may not exceed 3 °C .

Nominal flow Qn with secondary pressure $p_2 = 6$ bar at $\Delta p = 1$ bar

A change in the flow direction (from air supply on the left to air supply on the right) occurs by rotating installation by 180° about the vertical axis. Please see the operating instructions for further details.

The connections on the front and back are not connected to the main air flow. No pressure gauge may be connected here.

Dimensions



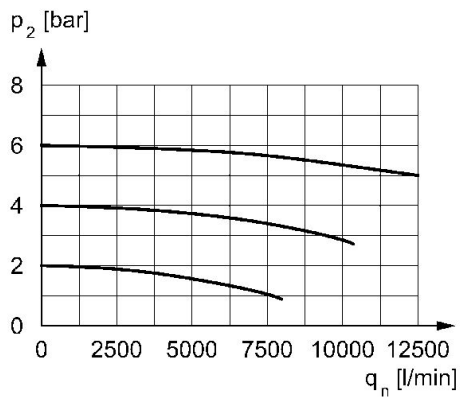
A1 = input A2 = output
 A3 = ventilation port
 1) electrically operated

Dimensions in mm

Part No.	A1	A2	A3	B	C	D	E	H	I
0821300973	G 3/4	G 3/4	G 1/2	100	52	51.5	164.5	58	M6
0821300966	G 1	G 1	G 1/2	100	52	51.5	164.5	58	M6
0821300972	G 3/4	G 3/4	G 1/2	100	52	51.5	164.5	58	M6
0821300971	G 3/4	G 3/4	G 1/2	100	52	51.5	164.5	58	M6
0821300965	G 1	G 1	G 1/2	100	52	51.5	164.5	58	M6
0821300964	G 1	G 1	G 1/2	100	52	51.5	164.5	58	M6
0821300990	G 3/4	G 3/4	G 1/2	100	52	51.5	164.5	58	M6
0821300991	G 1	G 1	G 1/2	100	52	51.5	164.5	58	M6

Part No.	J	L	T3	T5	V	W
0821300973	103	22	9.5	7	29	103.5
0821300966	103	22	9.5	7	29	103.5
0821300972	103	22	9.5	7	29	103.5
0821300971	103	22	9.5	7	29	103.5
0821300965	103	22	9.5	7	29	103.5
0821300964	103	22	9.5	7	29	103.5
0821300990	103	22	9.5	7	29	103.5
0821300991	103	22	9.5	7	29	103.5

Flow rate characteristic, $p_2 = 0,05 - 7$ bar



p_2 = Secondary pressure
 q_n = Nominal flow