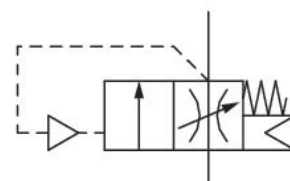


Filling valve, pneumatically operated, Series NL6-SSV

0821300967

General series information Series NL6

- The AVENTICS Series NL maintenance units are suitable for all areas: as individual components or as assembled maintenance units, for centralized or decentralized compressed air preparation, in compact or powerful versions, for use in high or low temperatures. This line offers a complete, customizable compressed air preparation technology. It includes an option to combine every component in the Series to achieve the desired function, making it possible to adjust the components precisely to the application requirements.



Technical data

Industry	Industrial
Activation	Pneumatically
Parts	Filling valve
Nominal flow Qn	12000 l/min
Compressed air connection	G 1
Working pressure min.	0 bar
Working pressure max.	16 bar
Connection type	Pipe connection
Sealing principle	Soft Seal
Type	Poppet valve
Can be assembled into blocks	Can be assembled into blocks
Control pressure min.	2.5 bar
Control pressure max.	16 bar

Min. ambient temperature	-10 °C
Max. ambient temperature	60 °C
Medium	Compressed air Neutral gases
Max. particle size	8 µm
Weight	1.48 kg

Material

Housing material	Die-cast aluminum
Seal material	Acrylonitrile butadiene rubber
Material, front cover	Acrylonitrile butadiene styrene
Part No.	0821300967

Technical information

The pressure dew point must be at least 15 °C under ambient and medium temperature and may not exceed 3 °C .

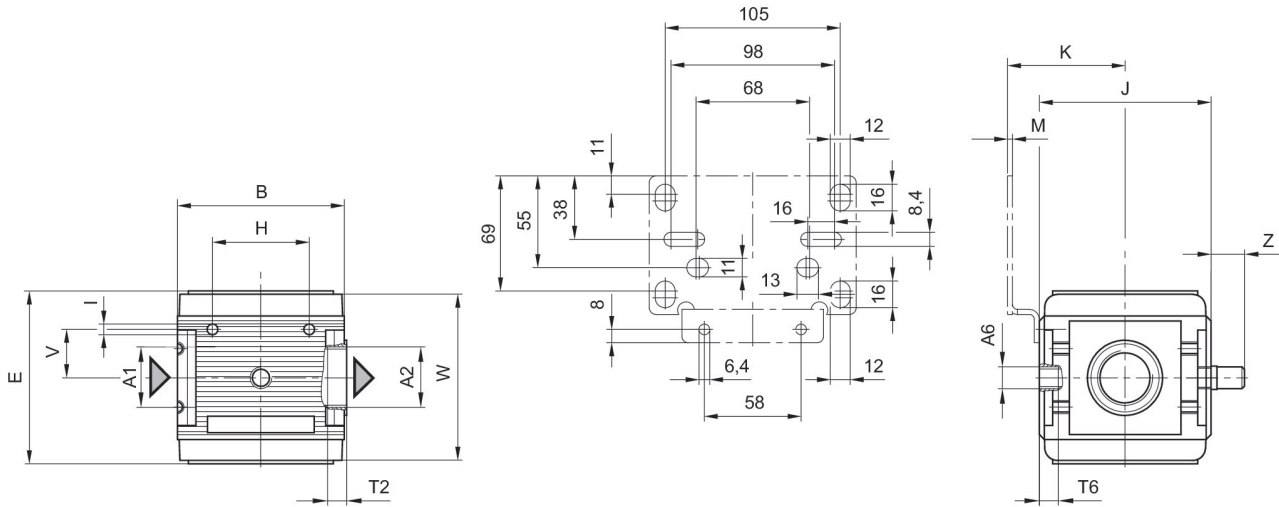
Nominal flow Q_n with secondary pressure $p_2 = 6$ bar at $\Delta p = 1$ bar

A change in the flow direction (from air supply on the left to air supply on the right) occurs by rotating installation by 180° about the vertical axis. Please see the operating instructions for further details.

The filling valve builds up pressure slowly in the pneumatic systems, i.e. prevents a sudden pressure build-up during a recommissioning after a mains pressure failure or avoids emergency OFF switching. This allows dangerous abrupt cylinder motions to be avoided.

Do not position filling valves or filling units upstream of open consumers, such as nozzles, air barriers, air curtains, since these may prevent through connection of components.

Dimensions



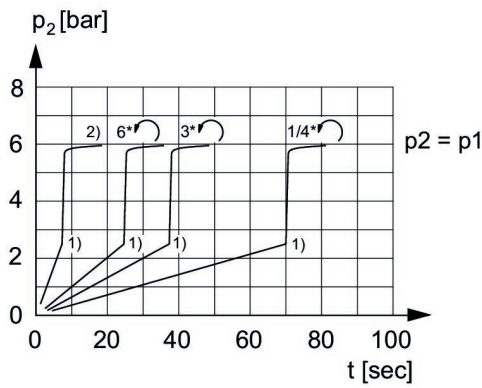
A1 = input
 A2 = output
 A6 = output

Dimensions in mm

Part No.	A1	A2	A6	B	E	H	I	J	K
0821300974	G 3/4	G 3/4	G 1/4	100	103	58	M6	103	70.5
0821300967	G 1	G 1	G 1/4	100	103	58	M6	103	70.5

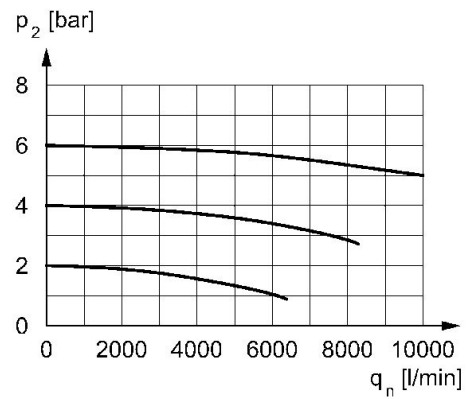
Part No.	M	T2	T6	V	W	Z
0821300974	3	18	7	29	100	20
0821300967	3	18	7	29	100	20

Secondary pressure while filling



p1 = Working pressure
 p2 = Secondary pressure
 t = filling time, adjustable via adjustment screw (throttle)
 1) Switching point: adjustable filling time, fixed change-over pressure $\approx 0.5 \times p1$ (50%)
 2) Throttle fully opened
 * Adjustment screw rotations

Flow rate characteristic, p2 = 0,05 - 7 bar



p2 = Secondary pressure
 qn = Nominal flow